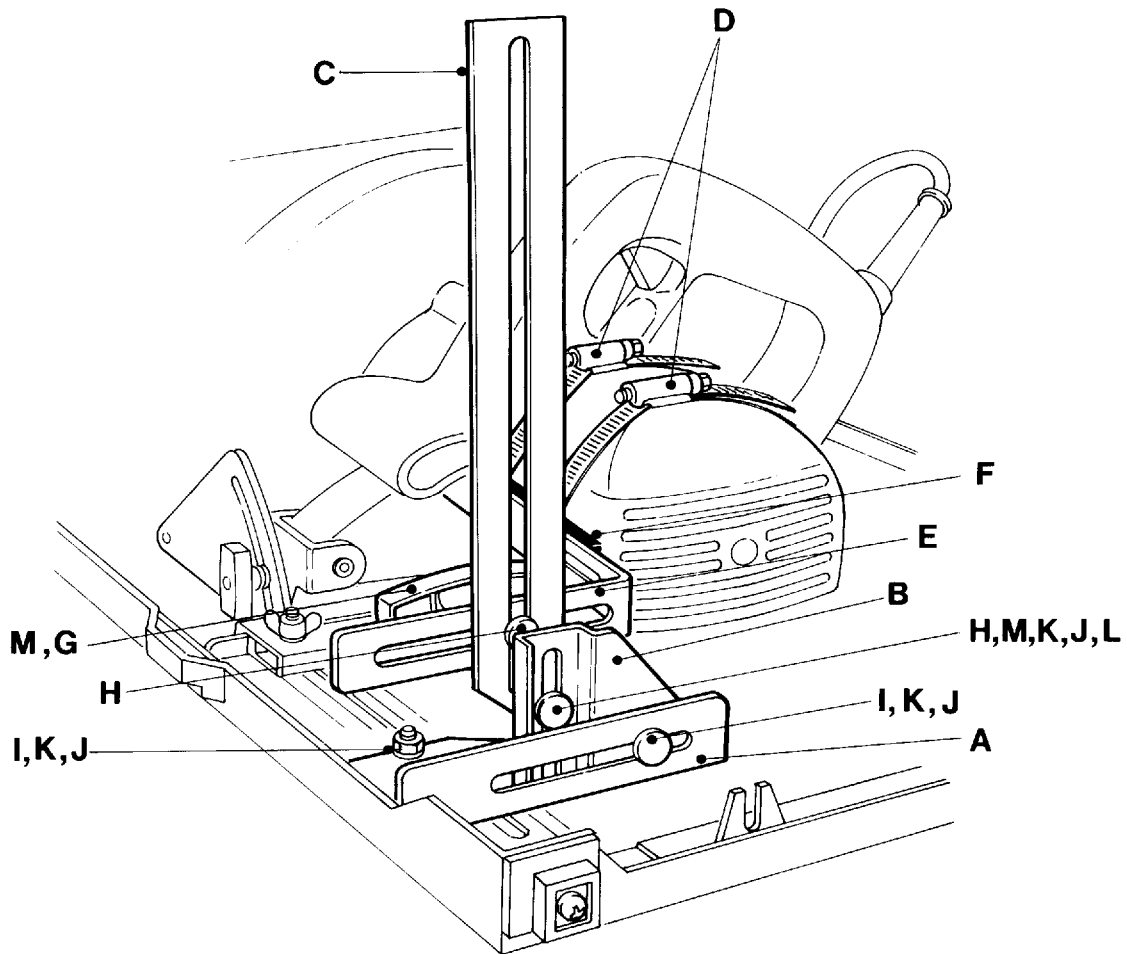


Saw Stabilising Bracket - ABA020

Suits front pivot power saws. Not suitable for vertical lift saws.



Diag. Ref.	Part No.	Description	Qty Supplied as Spare Part	Comments
-	PUA086	Packing Carton	1	
-	PUA266	Packing List	1	
-	PUA085	Assembly Instructions	1	
A	ABA022	Base Bracket	1	
B	ABA024	Pivot Mounting Bracket	1	
C	ABA028	Slotted Strap	1	
D	CSA044	Band Clamp	1	
E	ABA026	Saw Mounting Bracket	1	
F	ABA029	Rubber Cushion Strip	1	
G	WCA126	T-handle	1	
H	-	1/4" x 3/4" coach bolt	2	} Available in Fastener Bag
I	-	1/4" x 1/2" coach bolt	3	
J	-	1/4" hex nut	4	
K	-	1/4" spring washer	4	
L	-	1/4" nyloc nut	1	
M	-	M8 Washer	2	} Used if T-handle fouls saw motor
-	-	Wing nut 1/4"	1	
-	ABA016	Fastener Bag	1	

Specifications:

Packed weight: 0.85kg

Pack Size: 255 x 144 x 41mm **Volume:** 0.0018m³

Band Clamps: Stainless steel. All other metal parts zinc plated.