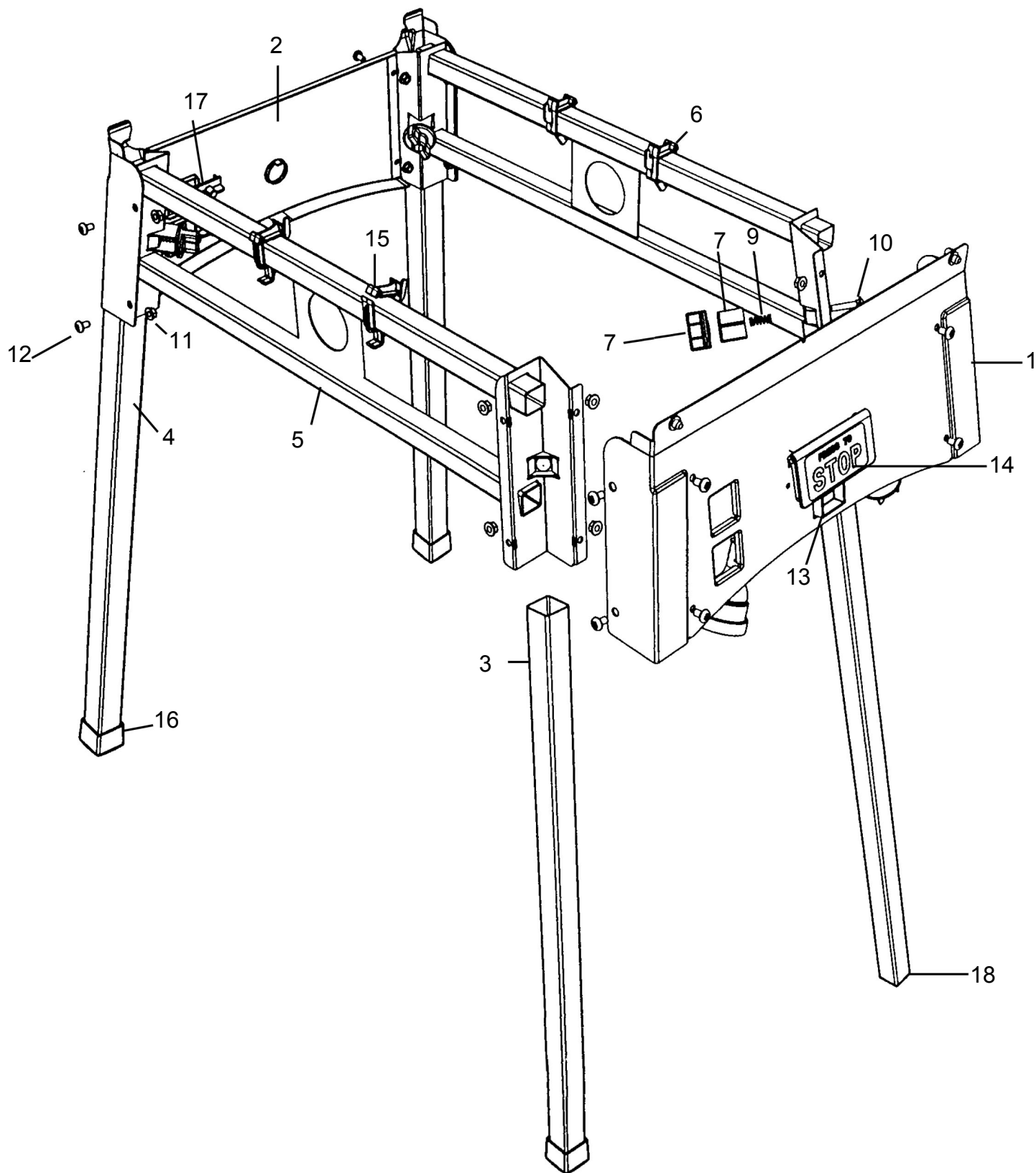




# RSA300 - Router Table Stand





## **RSA300 - Router Table Stand**

<b>No.</b>	<b>Description</b>	<b>Qty</b>
1	Front End Panel	1
2	Rear End Panel	1
3	Front Leg (packed inside rear leg)	1
4	Rear Leg	1
5	Side Frame	1
6	Hanger Finger	1
7	Round Knob	1
8	Leg Clamp	1
9	Leg Clamp Spring	1
10	M6 x 35 Coach Bolts	4
11	M6 Flange Nuts	16
12	M6 x 10 Philips Head Screw	16
13	Switch Box	1
14	Stop Plate	1
15	Fence Hangers	1
16	35 x 35 Rubber Foot	1
17	Leg Locks	1
18	30 x 30 Tube Closure	1