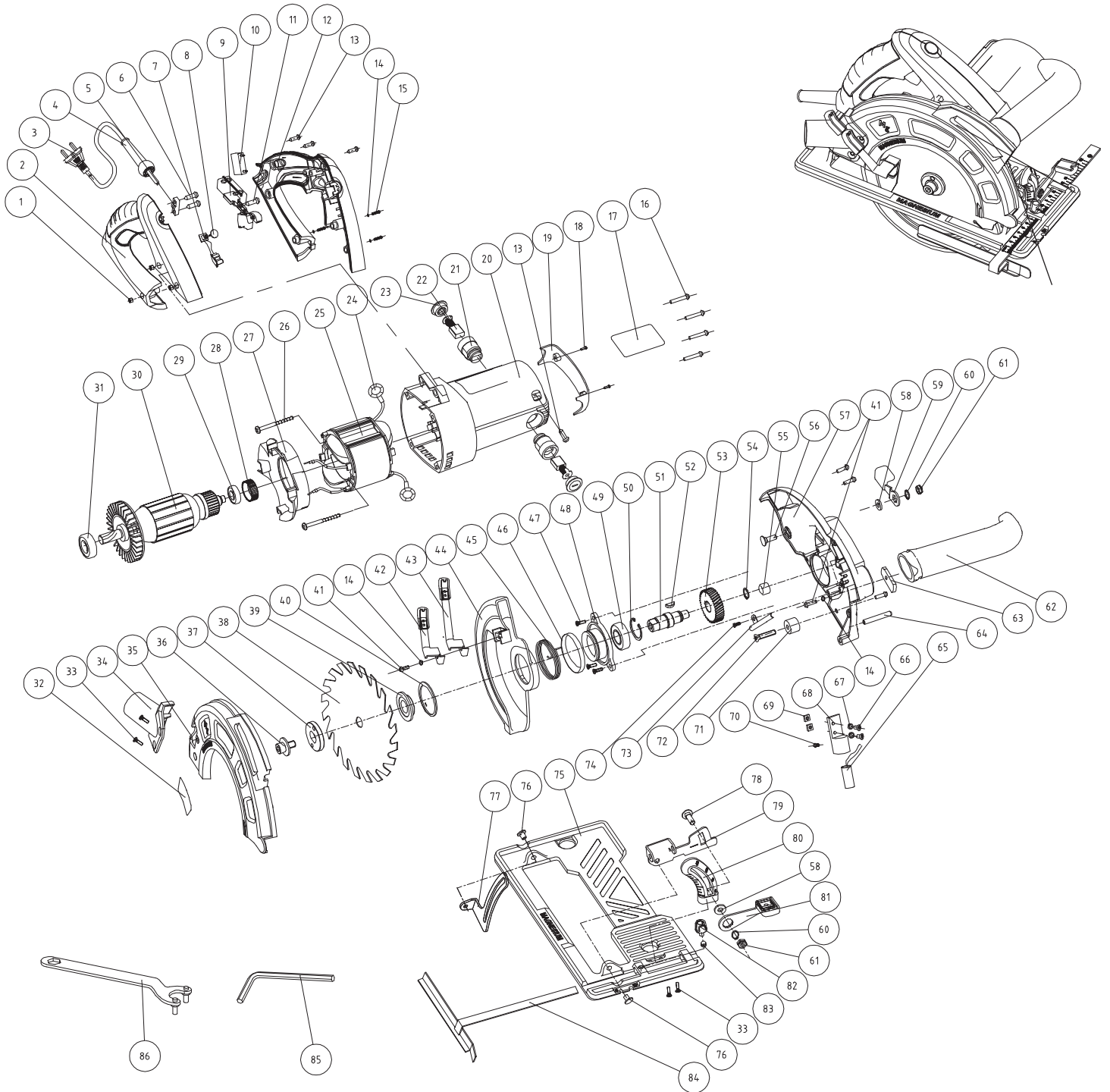




TA184CSL - Circular Saw 184mm





TA184CSL - Circular Saw 184mm

Number	Description	Qty
1	Nut	3
2	Right Handle	1
3	Cable and Plug	1
4	Cord Protector	1
5	Cord Clamp	1
6	Screw ST4.2×14	2
7	Transformer	1
8	Laser Switch	1
9	Switch	1
10	Capacitor	1
11	Screw ST4.2×10	1
12	Left Handle	1
13	Screw ST4.2×16	4
14	Spring Washer	8
15	Screw M5×35	3
16	Screw M5×50	4
17	Finishing Plate	1
18	Screw ST2.9×8	2
19	Motor End Cap	1
20	Motor Housing	1
21	Brush Holder	2
22	Carbon Brush	2
23	Brush Cap	2
24	Spring Washer	2
25	Field	1
26	Screw ST4.2×80	2
27	Air Baffle Ring	1
28	Bearing Bush	1
29	Bearing 609-2Z	1



TA184CSL - Circular Saw 184mm

Number	Description	Qty
30	Armature	1
31	Bearing 6201-2Z	1
32	Brand Label	1
33	Screw M5×10	4
34	Dust Extraction Adaptor	1
35	Guard	1
36	Blade Bolt	1
37	Outer Flange	1
38	Saw Blade	1
39	Inner Flange	1
40	Steel Baffle Ring	1
41	Screw M5×14	5
42	Guard Lever (Short)	1
43	Guard Lever (Long)	1
44	Lower Guard	1
45	Torsional Spring	1
46	Sleeve	1
47	Screw	3
48	Flange	1
49	Bearing 6003-2RS	1
50	Clip	1
51	Spindle	1
52	Key	1
53	Gear	1
54	Clip	1
55	Needle Bearing	1
56	Bolt	1
57	Back Guard	1
58	Washer Flat	2



TA184CSL - Circular Saw 184mm

Number	Description	Qty
59	Depth Lever	1
60	Clip	2
61	Nut	1
62	Side Handle	1
63	Board	1
64	Split Pin	1
65	Laser	1
66	Screw M4×10	2
67	Spring Washer	2
68	Laser Holder	1
69	Square Nut	2
70	Bolt	1
71	Rubber Spacer	1
72	Screw M6X18	1
73	Laser Clamp	1
74	Screw M4X6	1
75	Base Plate	1
76	Rivet	2
77	Depth Adjustment Bracket	1
78	Square Neck Bolt	1
79	Bracket	1
80	Angle Bracket	1
81	Lever	1
82	Knob	1
83	Spring Washer	1
84	Parallel Guide	1
85	Allen Key	1
86	Spanner	1
87	Clamp Spanner	1