

GB Operating and Safety Instructions

NL Bedienings- en veiligheidsvoorschriften

FR Instructions d'utilisation et consignes de sécurité

DE Gebrauchs- und Sicherheitsanweisung

IT Istruzioni per l'uso e la sicurezza

ES Instrucciones de uso y de seguridad

PT Instruções de Operação e Segurança

PL Instrukcja obsługi i bezpieczeństwa

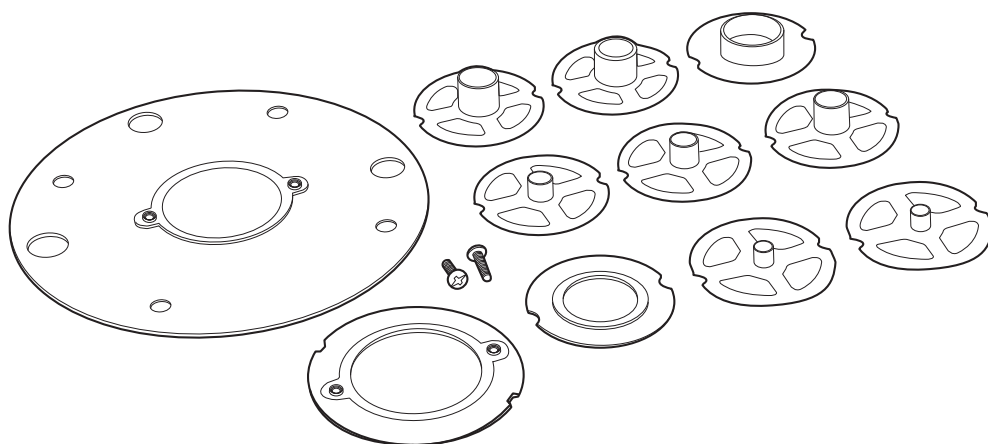
RU Инструкции по эксплуатации и правила техники безопасности

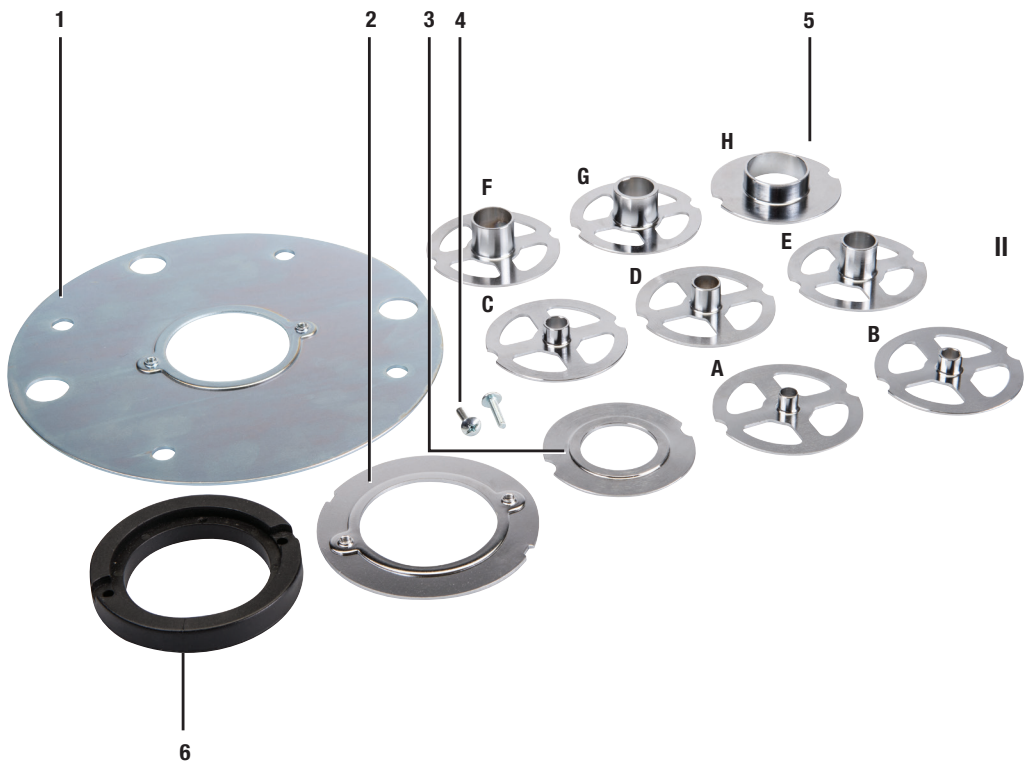
HU Kezelési és biztonsági utasítások

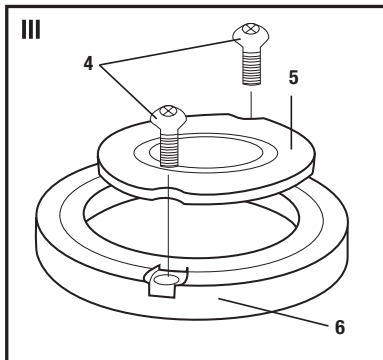
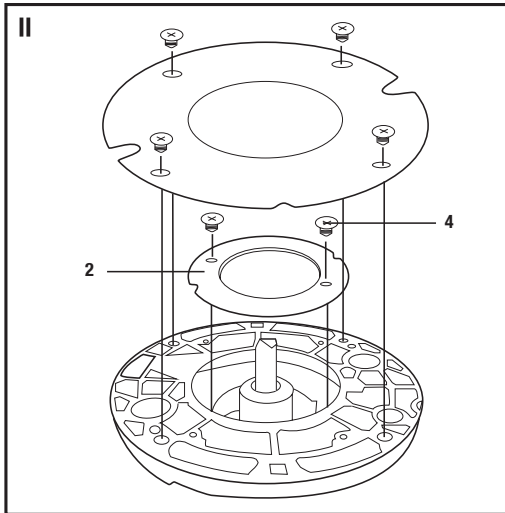
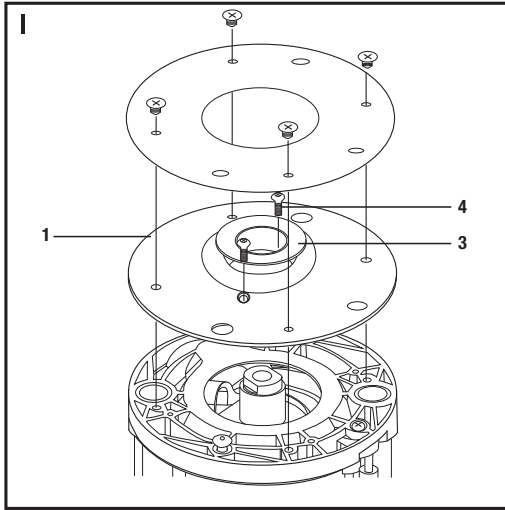
CZ Provozní a bezpečnostní pokyny

SK Prevádzkové a bezpečnostné pokyny

TR Çalışma ve Güvenlik Talimatları







Original Instructions

Introduction

Thank you for purchasing this Triton tool. This manual contains information necessary for safe and effective operation of this product. This product has unique features and, even if you are familiar with similar products, it is necessary to read this manual carefully to ensure you fully understand the instructions. Ensure all users of the tool read and fully understand this manual.

Description of Symbols



Wear hearing protection
Wear eye protection
Wear breathing protection
Wear head protection



Read instruction manual



Caution!

Specification

Compatible routers: Triton Precision Plunge Routers
JOF001, MOF001, TRA001

Compatible guide bushes: all Triton guide bushes and Porter
Cable guide bushes (adapter included)

Materials: brass, chrome-plated (guide bushes)
steel, chrome-plated (guide plates)
nylon (table spacer)

Included guide bush diameters:

	Outer diameter	Inner diameter
A	$\frac{5}{16}$ "	$\frac{1}{4}$ "
B	$\frac{3}{8}$ "	$\frac{9}{32}$ "
C	$\frac{7}{16}$ "	$\frac{11}{32}$ "
D	$\frac{1}{2}$ "	$\frac{13}{32}$ "
E	$\frac{5}{8}$ "	$\frac{17}{32}$ "
F	$\frac{51}{64}$ "	$\frac{5}{8}$ "
G	$\frac{3}{4}$ "	$\frac{21}{32}$ "
H	30mm	27mm

General Safety

WARNING Read all safety warnings and all instructions. Failure to follow the warnings and instructions may result in electric shock, fire and/or serious injury.

WARNING: This appliance is not intended for use by persons (including children) with reduced, physical or mental capabilities or lack of experience or knowledge unless they have been given supervision or instruction concerning use of the appliance by a person responsible for their safety. Children must be supervised to ensure that they do not play with the appliance.

Save all warnings and instructions for future reference.

The term "power tool" in the warnings refers to your mains-operated (corded) power tool or battery-operated (cordless) power tool.

Work area safety

- Keep work area clean and well lit. Cluttered or dark areas invite accidents
- Do not operate power tools in explosive atmospheres, such as in the presence of flammable liquids, gases or dust. Power tools create sparks which may ignite the dust or fumes.
- Keep children and bystanders away while operating a power tool. Distractions can cause you to lose control.

Electrical safety

- Power tool plugs must match the outlet. Never modify the plug in any way. Do not use any adapter plugs with earthed (grounded) power tools. Unmodified plugs and matching outlets will reduce risk of electric shock.
- Avoid body contact with earthed or grounded surfaces, such as pipes, radiators, ranges and refrigerators. There is an increased risk of electric shock if your body is earthed or grounded.
- Do not expose power tools to rain or wet conditions. Water entering a power tool will increase the risk of electric shock.
- Do not abuse the cord. Never use the cord for carrying, pulling or unplugging the power tool. Keep cord away from heat, oil, sharp edges or moving parts. Damaged or entangled cords increase the risk of electric shock.
- When operating a power tool outdoors, use an extension cord suitable for outdoor use. Use of a cord suitable for outdoor use reduces the risk of electric shock.
- If operating a power tool in a damp location is unavoidable, use a residual current device (RCD) protected supply. Use of an RCD reduces the risk of electric shock.

WARNING: When used in Australia or New Zealand, it is recommended that this tool is ALWAYS supplied via Residual Current Device (RCD) with a rated residual current of 30mA or less.

Personal safety

- Stay alert, watch what you are doing and use common sense when operating a power tool. Do not use a power tool while you are tired or under the influence of drugs, alcohol or medication. A moment of inattention while operating power tools may result in serious personal injury.
- Use personal protective equipment. Always wear eye protection. Protective equipment such as dust mask, non-skid safety shoes, hard hat, or hearing protection used for appropriate conditions will reduce personal injuries.
- Prevent unintentional starting. Ensure the switch is in the off-position before connecting to power source and/or battery pack, picking up or carrying the tool. Carrying power tools with your finger on the switch or energising power tools that have the switch on invites accidents.
- Remove any adjusting key or wrench before turning the power tool on. A wrench or a key left attached to a rotating part of the power tool may result in personal injury.
- Do not overreach. Keep proper footing and balance at all times. This enables better control of the power tool in unexpected situations.
- Dress properly. Do not wear loose clothing or jewellery. Keep your hair, clothing and gloves away from moving parts. Loose clothes, jewellery or long hair can be caught in moving parts.
- If devices are provided for the connection of dust extraction and collection facilities, ensure these are connected and properly used. Use of dust collection can reduce dust-related hazards.

Power Tool Use & Care

- Do not force the power tool. Use the correct power tool for your application. The correct power tool will do the job better and safer at the rate for which it was designed.

- Do not use the power tool if the switch does not turn it on and off. Any power tool that cannot be controlled with the switch is dangerous and must be repaired.
- Disconnect the plug from the power source and/or the battery pack from the power tool before making any adjustments, changing accessories, or storing power tools. Such preventive safety measures reduce the risk of starting the power tool accidentally.
- Store idle power tools out of the reach of children and do not allow persons unfamiliar with the power tool or these instructions to operate the power tool. Power tools are dangerous in the hands of untrained users.
- Maintain power tools. Check for misalignment or binding of moving parts, breakage of parts and any other condition that may affect the power tool's operation. If damaged, have the power tool repaired before use. Many accidents are caused by poorly maintained power tools.
- Keep cutting tools sharp and clean. Properly maintained cutting tools with sharp cutting edges are less likely to bind and are easier to control.
- Use the power tool, accessories and tool bits etc. in accordance with these instructions, taking into account the working conditions and the work to be performed. Use of the power tool for operations different from those intended could result in a hazardous situation.

Service

- Have your power tool serviced by a qualified repair person using only identical replacement parts. This will ensure that the safety of the power tool is maintained.

WARNING: Before connecting a tool to a power source (mains switch power point receptacle, outlet, etc.) be sure that the voltage supply is the same as that specified on the nameplate of the tool. A power source with a voltage greater than that specified for the tool can result in serious injury to the user, and damage to the tool. If in doubt, do not plug in the tool. Using a power source with a voltage less than the nameplate rating is harmful to the motor.

Product Familiarisation

- Guide Plate
(to suit Triton router model TRA001)
- Guide Plate
(to suit Triton router models MOF001 & JOF001)
- Alignment Bush
(and Porter Cable guide bush adaptor)
- M4 Screws
- Guide Bushes
- Table Spacer

Intended Use

Accessory kit for the fitting of guide bushes to Triton plunge routers, for template routing and use of custom jigs, including different diameter guide bushes, guide plates and spacer for operation in router tables.

Unpacking Your Tool

- Carefully unpack and inspect your tool. Familiarise yourself with all its features and functions
- Ensure that all parts of the tool are present and in good condition. If any parts are missing or damaged, have such parts replaced before attempting to use this tool

Before Use

Note: To use the Guide Bushes (5, A – H) for template routing, you must first fit the Guide Plate (1 or 2) to the base of your Triton router.

Preparing the guide plate

1. Choose the correct Guide Plate (1 or 2) that fits your Triton router model (see 'Product Familiarisation')
2. Loosely fit the two M4 Screws (4) into the holes in the depressed side of the Guide Plate, leaving a 3mm gap under each screw head
3. Sit the Alignment Bush (3), recessed side up, in the centre of the Guide Plate with the two notches aligned with the screw heads
4. Rotate the Alignment Bush until the notches no longer align with the screw heads, then tighten the screws using a suitable screwdriver (not included) to secure the Alignment Bush to the Guide Plate

Fitting the guide plate to the Triton JOF001 and MOF001 plunge routers (Fig. I)

1. Turn the Triton router upside down and plunge it to the collet lock position
2. Remove router bit, if installed
3. Using a suitable screwdriver (not included), unscrew the four Phillips screws that secure the black plastic baseplate. Remove the baseplate
4. Fit the Guide Plate (2) into the dedicated recess on the inside surface of the plastic baseplate (i.e. in between the router base and the baseplate, see Fig.1)
5. Position the Guide Plate (2) over the router collet on to the router base

WARNING: Ensure the plastic baseplate is centred on the router base, and that all four screw holes are correctly aligned.

6. Reinstall all four Phillips screws, and tighten securely

WARNING: DO NOT overtighten, as this can distort the baseplate.

Fitting the guide plate to the Triton TRA001 plunge router (Fig. II)

1. Turn the Triton router upside down and plunge it to the collet lock position
2. Remove router bit, if installed
3. Using a suitable screwdriver (not included), unscrew the four Phillips screws that secure the black plastic baseplate. Remove the baseplate
4. Position the Guide Plate (1) over the router collet on to the router base

WARNING: Ensure all holes in the Guide Plate line up with the corresponding holes in the router base.

5. Sandwich the black plastic baseplate on top of the Guide Plate
6. Reinstall all four Phillips screws, and tighten securely

WARNING: DO NOT overtighten, as this can distort the baseplate.

Fitting a guide bush to the guide plate

1. Fit a cutter in the router collet and adjust the plunge until the cutter is hidden
2. Loosen the two M4 Screws (4), remove the Alignment Bush (3) and in its place fit the Guide Bush (5, A – H) required. Fit the guide bush with its collar side up, pointing away from the body of the router
3. Rotate the cutter by hand to ensure there is complete clearance between the cutter and the guide bush

Fitting Porter Cable guide bushes to the guide plate

1. Loosen the M4 Screws (4) and remove the Alignment Bush (3) from the Guide Plate (1 or 2)
2. Fit the Porter Cable guide bush into the recessed side of the Alignment Bush
3. Fit this assembly to the Guide Plate

Table-mounted use (Fig. III)

Note: The Table Spacer (6) is required when template routing on a router table.

1. Remove the insert ring from your router table
2. Remove the M4 Screws (4) and Alignment Bush (3) from the Guide Plate (1 or 2), and sit the Table Spacer (6), recessed side up, into the centre of the Guide Plate
3. Align the screw holes, then fit the screws and the required Guide Bush (5, A – H)

Removing the guide plate

- Even when not using the template guides, the Guide Plate (1 or 2) can remain fitted to the router for the majority of cuts, whether using the router hand-held or table-mounted
- However, if using cutters with a diameter greater than 50mm (2"), the Guide Plate (1 or 2) will need to be removed
- To remove the guide plate, follow the fitting instructions above in reverse

Maintenance

WARNING: Always disconnect tools from the power supply before carrying out any maintenance/cleaning.

- Regularly check that all the fixing screws are tight. They may vibrate loose over time
- Regularly check that the M4 Screws (4) are tightened firmly
- When not using a guide bush, consider removing the M4 Screws and Alignment Bush (3) for safe storage

Cleaning

- Keep your tool clean at all times. Dirt and dust will cause internal parts to wear quickly, and shorten the device's service life. Clean the body of your machine with a soft brush, or dry cloth. If available, use clean, dry, compressed air to blow through the ventilation holes (where applicable)

Storage

- Store this tool carefully in a secure, dry place out of the reach of children

Guarantee

To register your guarantee visit our web site at www.tritontools.com* and enter your details.

Your details will be included on our mailing list (unless indicated otherwise) for information on future releases. Details provided will not be made available to any third party.

Purchase Record

Date of Purchase: ___/___/___

Model: TGA250 Retain your receipt as proof of purchase

Triton Precision Power Tools guarantees to the purchaser of this product that if any part proves to be defective due to faulty materials or workmanship within 3 YEARS from the date of original purchase, Triton will repair, or at its discretion replace, the faulty part free of charge.

This guarantee does not apply to commercial use nor does it extend to normal wear and tear or damage as a result of accident, abuse or misuse.

* Register online within 30 days.

Terms & conditions apply.

This does not affect your statutory rights

Vertaling van de originele instructies

Introductie

Hartelijk dank voor de aanschaf van dit Triton- gereedschap. Deze instructies bevatten informatie die u nodig hebt voor een veilige en doeltreffende bediening van dit product. Dit product heeft unieke kenmerken. Zelfs als u bekend bent met gelijksoortige producten dient u deze handleiding zorgvuldig door te lezen, zodat u in staat bent alle voordelen te benutten. Houd deze handleiding bij de hand en zorg ervoor dat alle gebruikers van dit gereedschap de handleiding hebben gelezen en volledig hebben begrepen.

Symbolen



Draag gehoorbescherming
Draag een veiligheidsbril
Draag een stofmasker
Draag een veiligheidshelm



Lees de handleiding



Voorzichtig!

Specificaties

Compatibele bovenfrezes: Triton precisie bovenfrezes
JOF001, MOF001, TRA001

Compatibele kopieerringen: Alle Triton kopieerringen en Porter
Cable kopieerringen
(adapter inbegrepen)

Materialen: Messing, chroom geplateerd (kopieerringen)
Staal, chroom geplateerd (kopieerringen)
Nylon (tafel afstandsstuk)

Inbegrepen kopieerring diameters:

	Buiten diameter	Binnen diameter
A	$\frac{5}{16}$ "	$\frac{1}{4}$ "
B	$\frac{3}{8}$ "	$\frac{9}{32}$ "
C	$\frac{7}{16}$ "	$\frac{11}{32}$ "
D	$\frac{1}{2}$ "	$\frac{13}{32}$ "
E	$\frac{5}{8}$ "	$\frac{17}{32}$ "
F	$\frac{5}{16}$ "	$\frac{9}{16}$ "
G	$\frac{3}{4}$ "	$\frac{21}{32}$ "
H	30 mm	27 mm

Algemene veiligheid voor elektrisch gereedschap

WAARSCHUWING: Lees alle bediening- en veiligheidsvoorschriften. Het niet opvolgen van alle voorschriften die hieronder vermeld staan, kan resulteren in een elektrische schok, brand en/of ernstig letsel.

WAARSCHUWING: De machine is niet geschikt voor gebruik door personen met een verminderde mentale of fysieke bekwaamheid of een gebrek aan ervaring, tenzij de persoon wordt begeleid of geïnstrueerd door een persoon verantwoordelijk voor de veiligheid. Kinderen horen niet met de machine te spelen.

Bewaar deze voorschriften voor toekomstig gebruik.

De term "elektrisch gereedschap" in alle hieronder vermelde waarschuwingen heeft betrekking op uw elektrische gereedschap dat op de stroom is aangesloten (met een snoer) of met een accu wordt gevoed (snoerloos).

Veiligheid in de werkruimte

- Houd de werkruimte schoon en zorg voor een goede verlichting.** Rommelige en donkere ruimtes leiden vaak tot ongelukken.
- Werk niet met elektrisch gereedschap in explosieve omgevingen, bijvoorbeeld in de aanwezigheid van ontvlambare vloeistoffen, gassen of stof.** Elektrisch gereedschap brengt vonken teweeg die stof of dampen kunnen doen ontbranden.
- Houd kinderen en omstanders uit de buurt wanneer u elektrisch gereedschap bedient.** Door afleiding kunt u de controle over het gereedschap verliezen.

Elektrische veiligheid

- De stekkers van het elektrische gereedschap moeten passen bij het stopcontact. Pas de stekker niet aan. Gebruik geen adapterstekkers bij geaard elektrisch gereedschap.** Het gebruik van ongewijzigde stekkers en passende stopcontacten vermindert het risico op een elektrische schok.
- Vermijd lichamelijk contact met geaarde oppervlakken zoals pijpen, radiatoren, fornuizen en koelkasten.** Het risico op een elektrische schok neemt toe als uw lichaam geaard wordt.
- Laat elektrisch gereedschap niet nat worden.** Wanneer elektrisch gereedschap nat wordt, neemt het risico op een elektrische schok toe.
- Beschadig het snoer niet.** Gebruik het snoer nooit om het elektrisch gereedschap te dragen, te trekken of om de stekker uit het stopcontact te trekken. Houd het snoer uit de buurt van hitte, olie, scherpe randen of bewegende delen. Een beschadigd of in de knoop geraakt snoeren verhoogt het risico op een elektrische schok toe.
- Wanneer u elektrisch gereedschap buiten gebruikt, maak dan gebruik van een verlengsnoer dat geschikt is voor gebruik buitenshuis.** Gebruik een verlengsnoer dat geschikt is voor gebruik buitenshuis om het risico op een elektrische schok te verminderen.
- Indien het onvermijdelijk is elektrisch gereedschap te gebruiken in een vochtige omgeving, gebruik dan een energiebron met een aardlek beveiliging (Residual Current Device).** Het gebruik van een RCD vermindert het risico op een elektrische schok.

Persoonlijke veiligheid

- Blijf alert en gebruik uw gezonde verstand wanneer u elektrisch gereedschap bedient.** Gebruik het elektrisch gereedschap niet wanneer u vermoed bent of onder invloed van drugs, alcohol of medicijnen. Onoplettendheid tijdens het bedienen van elektrisch gereedschap kan leiden tot ernstig letsel.
- Maak gebruik van persoonlijke bescherming. Draag altijd een veiligheidsbril.** Passende bescherming voor de omstandigheden, zoals een stofmasker, niet-slippende veiligheidsschoenen en een helm of gehoorbescherming, vermindert het risico op persoonlijk letsel.
- Zorg ervoor dat het apparaat niet per ongeluk wordt gestart. Controleer of de schakelaar in de 'uit' stand staat voordat u de stekker in het stopcontact steekt.** Het dragen van elektrisch gereedschap met uw vinger op de schakelaar of het aansluiten op de stroom van elektrisch gereedschap met de schakelaar ingeschakeld kan tot ongelukken leiden.
- Verwijder alle stel- of moersleutels voordat u het elektrische gereedschap inschakelt.** Een moer- of stelsleutel die zich op een draaiend onderdeel van het elektrische gereedschap bevindt, kan leiden tot letsel.
- Reik niet te ver. Blijf altijd stevig en in balans staan.** Zo houdt u meer controle over het elektrische gereedschap in onverwachte situaties.

- Draag geschikte kleding. Draag geen loshangende kleding of sieraden. Houd haren, kleding en handschoenen uit de buurt van bewegende delen.** Loshangende kleding, sieraden en los hangende haren kunnen vast komen te zitten in bewegende delen.
- Als er onderdelen voor stofafvoer- en stofverzameling worden meegeleverd, sluit deze dan aan en gebruik deze op de juiste wijze.** Het gebruik van deze onderdelen kan het risico op stof gerelateerde ongelukken verminderen.

Gebruik en verzorging van elektrisch gereedschap

- Forceer elektrisch gereedschap niet. Gebruik elektrisch gereedschap dat geschikt is voor het werk dat u wilt uitvoeren.** Geschikt elektrisch gereedschap werkt beter en veiliger op een passende snelheid.
- Gebruik het elektrische gereedschap niet als de schakelaar het apparaat niet in- en uitschakelt.** Elektrisch gereedschap dat niet bedient kan worden met de schakelaar is gevaarlijk en moet gerepareerd worden.
- Haal de stekker uit het stopcontact voordat u instellingen aanpast, toebehoren verwisselt of het elektrische gereedschap opbergt.** Dergelijke voorzorgsmaatregelen verminderen het risico op het per ongeluk starten van het elektrische gereedschap.
- Berg elektrisch gereedschap dat niet in gebruik is op buiten bereik van kinderen en laat mensen die niet bekend zijn met het elektrische gereedschap of met deze instructies het elektrische gereedschap niet bedienen.** Elektrisch gereedschap is gevaarlijk in de handen van onervaren gebruikers.
- Onderhoud uw elektrisch gereedschap. Controleer op foutieve uittijning of het vaststaan van bewegende delen, gebroken onderdelen en elke andere afwijking die de werking van het elektrische gereedschap zou kunnen beïnvloeden. Indien het elektrische gereedschap beschadigd is, moet u het laten repareren voordat u het weer gebruikt.** Veel ongelukken worden veroorzaakt door slecht onderhouden elektrisch gereedschap.
- Houd snijwerktuigen scherp en schoon.** Goed onderhouden snijwerktuigen met scherpe messen slaan minder snel vast en zijn gemakkelijker te bedienen.
- Gebruik het elektrische gereedschap, toebehoren en onderdelen, etc. volgens deze instructies en volgens bestemming voor het specifieke type elektrisch gereedschap, en houd daarbij rekening met de werkomstandigheden en het uit te voeren werk.** Gebruik van elektrisch gereedschap voor werkzaamheden die verschillen van die waarvoor het apparaat bestemd is, kan leiden tot gevaarlijke situaties.

Onderhoud

- Laat uw elektrische gereedschap onderhouden door een gekwalificeerde vakman en gebruik alleen identieke vervangstukken.** Zo bent u er zeker van dat de veiligheid van het elektrische gereedschap gewaarborgd blijft.

WAARSCHUWING: Voordat u de machine op de stroombron aansluit controleert u of het voltage van de stroombron overeenkomt met het voltage op het gegevensplaatje op de machine. Een stroombron met een hogere spanning kan zorgen voor ernstige verwondingen aan de gebruikers en schade aan de machine. Een stroombron met een lagere spanning kan de motor beschadigen. Plug de stekker bij twijfel niet in de stroombron.

Onderdelenlijst

- Geleiderplaat
(Voor Triton model TRA001)
- Geleiderplaat
(Voor bovenfrees modellen MOF001 en JOF001)
- Uittijningsring
(en Porter Cable uittijningsring adapter)
- M4 schroeven
- Kopieerringen
- Tafel afstandsstuk

Gebruiksdoel

Accessoire set voor de bevestiging van kopieerringen op bovenfreesen voor het gebruik van malen en vormen. De set bevat verschillende diameter kopieerringen, bevestigingsplaten en afstandsstuk voor het gebruik op freestafels.

Het uitpakken van uw gereedschap

- Pak uw toestel / gereedschap uit. Inspecteer het en zorg dat u met alle kenmerken en functies vertrouwd raakt.
- Controleer of alle onderdelen aanwezig zijn en in goede staat verkeren. Als er onderdelen ontbreken of beschadigd zijn, zorg dan dat deze vervangen worden voor u dit toestel / gereedschap gebruikt.

Voor gebruik

Let op: Om de kopieerringen (5, A-H) voor malfreesen te gebruiken, dient u de geleiderplaat (1 of 2) eerst op het freestafelblad te monteren

Het voorbereiden van de geleiderplaat

1. Selecteer de juiste geleiderplaat, passend bij het bovenfrees model (zie: 'Productbeschrijving')
2. Draai de twee M4 schroeven (4) losjes in de gaten op de verzonken zijde van de plaat met een 3 mm ruimte onder de schroefkop
3. Plaats de uitlijningsring (3), met de verzonken zijde omhoog wijzend, in het midden van de geleiderplaat met de twee inkepingen uitgelijnd met de schroeven
4. Draai de ring tot de inkepingen niet meer uitgelijnd zijn met de schroefkoppen en draai de schroeven met behulp van een geschikte schroevendraaier (niet inbegrepen) vast om de plaat en ring te vergrendelen

Het bevestigen van de geleiderplaat op de Triton JOF001 en MOF001 bovenfreesen (Fig. I)

1. Draai de bovenfrees ondersteboven naar de volledige invalsdiepte, in de as-vergrendelpositie
2. Verwijder het frees bit
3. Draai de vier kruiskopschroeven die de zwarte basisplaat vast zetten met behulp van een geschikte schroevendraaier (niet inbegrepen) los. Neem de basisplaat van de machine
4. Plaats de geleiderplaat (2) in de bijpassende verzinking aan de binnenzijde van de plaat (tussen de basis en basisplaat, zie Fig. I)
5. Plaats de geleiderplaat (2) over de as op de freesbasis

WAARSCHUWING: Zorg ervoor dat de plastic basisplaat centraal op de basis valt en dan alle vier de schroeven juist zijn uitgelijnd

6. Draai de kruiskopschroeven goed vast

WAARSCHUWING: Draai de schroeven niet te strak vast. Dit beschadigd de basisplaat mogelijk

Het bevestigen van de geleiderplaat op de Triton TRA001 bovenfrees (Fig. II)

1. Draai de bovenfrees ondersteboven naar de volledige invalsdiepte, in de as-vergrendelpositie
2. Verwijder het frees bit
3. Draai de vier kruiskopschroeven die de zwarte basisplaat vast zetten met behulp van een geschikte schroevendraaier (niet inbegrepen) los. Neem de basisplaat van de machine
4. Plaats de geleiderplaat (2) over de as op de freesbasis

WAARSCHUWING: Zorg ervoor dat de gaten in de geleiderplaat uitlijnen met de gaten in de basisplaat

5. Klem de zwarte plastic basisplaat bovenop de geleiderplaat
6. Draai de kruiskopschroeven goed vast

WAARSCHUWING: Draai de schroeven niet te strak vast. Dit beschadigd de basisplaat mogelijk

Het bevestigen van een kopieerring op de geleiderplaat

1. Plaats een frees bit in de spantang en pas de invaldiepte aan tot het bit verborgen is
2. Draai de M4 schroeven (4) los, verwijder de uitlijningsring (3) en in plaats van plaatst u de gewenste kopieerring (5, A-H). Bevestig de ring met de kraagzijde omhoog, van de machine behuizing afwijzend
3. Draai het frees bit met de rand om te controleren of deze vrij kan roteren

Het bevestigen van een Porter Cable kopieerring op de geleiderplaat

1. Draai de M4 schroeven (4) los en verwijder de uitlijningsring (3) van de geleiderplaat (1 of 2)
2. Plaats de Porter Cable kopieerring in de verzonken zijde van de uitlijningsring
3. Bevestig deze samenstelling op de geleiderplaat

Let op: Het afstandsstuk (6) is vereist bij het gebruik op een freestafel

1. Verwijder de ring van de freestafel
2. Verwijder de M4 schroeven (4) en de uitlijningsring (3) van de geleiderplaat (1 of 2) en plaats het afstandsstuk (6) met de verzonken zijde omhoog in het midden van de geleiderplaat
3. Lijn de schroefgaten uit en plaats de schroeven en gewenste kopieerring (5, A-H)

Het verwijderen van de geleiderplaat

- Wanneer de freesmal geleiders niet gebruikt worden kan de geleiderplaat (1 of 2) voor de meeste sneden op de bovenfrees bevestigd blijven, zowel bij het gebruik vanuit de vrije hand als het gebruik gemonteerd op een werkbank
- bij het gebruik van frees bits met een diameter boven de 50 mm (2") dient de geleiderplaat verwijderd te worden
- Om de geleiderplaat te verwijderen volgt u de bovenstaande stappen in omgekeerde volgorde op

Onderhoud

WAARSCHUWING: Ontkoppel machines van de stroombron voordat enig onderhoud/schoonmaak wordt uitgevoerd

- Controleer regelmatig of alle bevestigingsschroeven goed vast zitten. Na verloop van tijd trillen deze mogelijk los
- Controleer regelmatig of de M4 schroeven goed vast zitten
- Wanneer de kopieerringen niet gebruikt worden, verwijderd u de M4 schroeven en uitlijningsring (3) voor veilige opberging

Schoonmaak

- Houd uw gereedschap schoon. Zorg ervoor dat afval zich niet ophoopt op de onderdelen van het gereedschap. Verwijder stof en vuil en zorg ervoor dat de ventilatiegaten nooit verstopt raken. Gebruik een zachte borstel of een droge doek om de machine te reinigen. Gebruik wanneer mogelijk zuivere, droge perslucht om door de luchtgaten te blazen.

Opberging

- Berg de machine op een droge en veilige plek, buiten het bereik van kinderen op.

Garantie

Om uw garantie te registreren, gaat u naar onze website op www.tritontools.com* en voert u uw gegevens in.

Uw gegevens worden opgeslagen in onze mailinglist (tenzij u anders aangeeft) voor informatie over nieuwe producten. De ingevulde gegevens worden aan geen enkele andere partij beschikbaar gesteld.

Aankoopgegevens

Datum van aankoop: ___ / ___ / ___

Model: TGA250

Bewaar uw aankoopbon als aankoopbewijs rt pr

Triton Precision Power Tools garandeert de koper van dit product dat indien een onderdeel defect is vanwege fouten in materiaal of uitvoering binnen 3 jaar na de datum van de oorspronkelijke aankoop,

Triton het defecte onderdeel gratis repareert of, naar eigen inzicht, vervangt.

Deze garantie heeft geen betrekking op commercieel gebruik en strekt zich niet uit tot normale slijtage of schade ten gevolge van een ongeluk, verkeerd gebruik of misbruik.

* Registreer online binnen 30 dagen.

Algemene voorwaarden van toepassing.

Traduction des instructions originales

Introduction

Nous vous remercions d'avoir choisi cet équipement Triton. Ces instructions contiennent les informations nécessaires pour vous en garantir un fonctionnement efficace et en toute sécurité. Veuillez lire attentivement ce manuel pour vous assurer de tirer pleinement avantage des caractéristiques uniques de votre nouvel équipement.

Gardez ce manuel à portée de main et assurez-vous que tous les utilisateurs l'aient lu et bien compris avant toute utilisation. Conservez-le pour toute référence ultérieure.

Symboles



Port de protection auditive
Port de lunettes de sécurité
Port du masque respiratoire
Port du casque



Lire le manuel d'instructions



ATTENTION!

Caractéristiques techniques

Compatible avec défonceuses : Défonceuses de précision Triton
JOF001, MOF001, TRA001

Compatible avec bagues de copiage : Toutes les bagues de copiage Triton
et les bagues de copiage Porter Cable

Matériaux : Laiton chromé (bagues de copiage)
Acier chromé (bagues de copiage)
Nylon (entretoise de table)

Diamètre des bagues de copiage incluses :

	Diamètre externe	Diamètre interne
A	$\frac{3}{16}$ "	$\frac{1}{4}$ "
B	$\frac{3}{8}$ "	$\frac{9}{32}$ "
C	$\frac{7}{16}$ "	$\frac{11}{32}$ "
D	$\frac{1}{2}$ "	$\frac{13}{32}$ "
E	$\frac{5}{8}$ "	$\frac{17}{32}$ "
F	$\frac{51}{64}$ "	$\frac{5}{8}$ "
G	$\frac{3}{4}$ "	$\frac{21}{32}$ "
H	30mm	27mm

Consignes générales de sécurité

AVERTISSEMENT : Veuillez lire l'intégralité des consignes de sécurité et des instructions. Le non-respect de ces consignes et instructions peut entraîner un risque de choc électrique, d'incendie et/ou se traduire par des blessures graves.

Attention : Cet appareil n'est pas conçu pour être utilisé par des personnes (enfants compris) ayant des capacités physiques ou mentales réduites, ou n'ayant pas la connaissance ou l'expérience requise, à moins d'être sous la supervision d'une personne responsable de leur sécurité ou d'avoir reçu les instructions nécessaires. Les enfants ne doivent pas s'approcher et jouer avec cet appareil.

Veuillez conserver ces instructions et consignes de sécurité pour référence ultérieure.

L'expression « appareil électrique » employée dans les présentes consignes recouvre aussi bien les appareils filaires à brancher sur le secteur que les appareils sans fils fonctionnant sous batterie.

Sécurité sur la zone de travail

- Maintenir une zone de travail propre et bien éclairée. Des zones encombrées et mal éclairées sont sources d'accidents.
- Ne pas utiliser d'outils électriques dans des environnements explosifs, tels qu'à proximité de liquides, de gaz ou de poussières inflammables. Les appareils électriques produisent des étincelles susceptibles d'enflammer la poussière ou les vapeurs présentes.
- Éloigner les enfants et les passants pendant l'utilisation d'un appareil électrique. Ceux-ci peuvent provoquer une perte d'attention et faire perdre la maîtrise de l'appareil.

Sécurité électrique

- La prise d'un appareil électrique doit être adaptée à la prise du secteur. Ne jamais modifier la prise en aucune façon. Ne jamais utiliser d'adaptateur sur la prise électrique d'appareil mis à la terre. Des prises non modifiées, adaptées aux boîtiers de prise de courant, réduiront le risque de décharge électrique.
- Éviter le contact corporel avec les surfaces mises à la terre telles que tuyaux, radiateurs, cuisinières et réfrigérateurs. Le risque de décharge électrique est plus important si le corps est mis à la terre.
- Ne pas exposer l'appareil électrique à la pluie ou à l'humidité. L'infiltration d'eau dans un appareil électrique accroît le risque de décharge électrique.
- Ne pas maltraiter le cordon électrique. Ne jamais utiliser le cordon électrique pour porter, tirer ou débrancher l'appareil. Protéger le cordon électrique de la chaleur, du contact avec l'essence, des bords tranchants et pièces rotatives. Un cordon électrique endommagé ou entortillé accroît le risque de décharge électrique.
- Lors d'une utilisation de l'appareil électrique en extérieur, se servir d'une rallonge appropriée à une utilisation en extérieur. Cela réduit le risque de décharge électrique.
- Si une utilisation de l'appareil électrique dans un environnement humide ne peut être évitée, utiliser une alimentation protégée par un disjoncteur différentiel. L'utilisation d'un disjoncteur différentiel réduit le risque de décharge électrique.

Sécurité des personnes

- Rester vigilant et faire preuve de bon sens lors de la manipulation de l'appareil. Ne pas utiliser un appareil électrique lorsque l'on se trouve dans un état de fatigue, ou sous l'influence de drogues, d'alcool ou de médicaments. Un moment d'inattention pendant l'utilisation d'un outil électrique peut se traduire par des blessures graves.
- Porter un équipement de protection approprié. Toujours porter une protection oculaire. Le port de masque à poussières, chaussures de sécurité antidérapantes, casque de sécurité et protections antibruit adaptés aux différentes conditions de travail réduit le risque de blessures corporelles.
- Éviter tout démarrage accidentel ou intempestif. S'assurer que l'interrupteur marche-arrêt soit en position d'arrêt avant de brancher l'appareil sur l'alimentation secteur ou d'installer la batterie, de prendre l'appareil ou de le transporter. Porter un appareil électrique tout en maintenant le doigt posé sur l'interrupteur ou brancher un appareil électrique dont l'interrupteur est sur la position de marche est source d'accidents.
- Enlever toute clé et tout instrument de réglage avant de mettre l'appareil électrique en marche. Une clé ou un instrument de réglage laissé fixé à un élément en rotation de l'appareil électrique peut entraîner des blessures physiques.

- Ne pas essayer d'atteindre une zone hors de portée. Se tenir toujours en position stable permettant de conserver l'équilibre. Cela permet de mieux contrôler l'appareil électrique dans des situations inattendues.
- Porter des vêtements appropriés. Ne pas porter de vêtements amples ou des bijoux pendants. Éloigner cheveux, vêtements et gants des pièces en mouvement. Les vêtements amples, les bijoux pendants et cheveux longs peuvent être happés par les pièces en rotation.
- Si l'appareil est pourvu de dispositifs destinés au raccord d'équipements d'extraction et de récupération de la poussière/sciure, s'assurer qu'ils soient bien fixés et utilisés correctement. L'utilisation de ces dispositifs peut réduire les risques dus à la poussière.

Utilisation et entretien des appareils électriques

- Ne pas forcer sur l'appareil électrique. Utiliser l'appareil électrique approprié au travail à effectuer. Un appareil électrique adapté et employé au rythme pour lequel il a été conçu permettra de réaliser un travail de meilleure qualité et dans de meilleures conditions de sécurité.
- Ne pas utiliser un appareil électrique dont l'interrupteur marche-arrêt est hors service. Tout appareil électrique dont la commande ne s'effectue plus par l'interrupteur marche-arrêt est dangereux et doit être réparé.
- Débrancher l'appareil électrique ou démonter sa batterie avant d'effectuer tout réglage ou changement d'accessoire et avant de le ranger. De telles mesures préventives réduiront les risques de démarrage accidentel.
- Ranger les appareils électriques inutilisés hors de portée des enfants et ne pas permettre l'utilisation de cet appareil aux personnes non habituées à son maniement ou n'ayant pas lu les présentes instructions. Les appareils électriques sont dangereux dans les mains d'utilisateurs inexpérimentés.
- Veiller à l'entretien des appareils électriques. Vérifier que les éléments rotatifs soient bien alignés et non grippés. S'assurer de l'absence de pièces cassées ou endommagées susceptibles de nuire au bon fonctionnement de l'appareil. Si l'appareil électrique est endommagé, le faire réparer avant toute utilisation. De nombreux accidents sont dus à l'utilisation d'appareils électriques mal entretenus.
- Veiller à ce que les outils de coupe soient tenus affûtés et propres. Des outils de coupe bien entretenus, aux tranchants bien affûtés, sont moins susceptibles de se gripper et sont plus faciles à contrôler.
- Utiliser l'appareil électrique, les accessoires et outils à monter conformément à ces instructions, en tenant compte des conditions de travail et de la tâche à réaliser. Toute utilisation d'un appareil électrique autre que celle pour laquelle il a été conçu peut entraîner des situations à risque.

Révision

- Ne faire réparer votre appareil électrique que par un réparateur qualifié utilisant uniquement des pièces de rechange identiques. Cela permet de maintenir la sécurité d'utilisation de l'appareil électrique

ATTENTION : Avant de brancher un appareil sur une source d'alimentation (prise secteur, groupe électrogène, etc.) assurez-vous que la tension fournie soit la même que celle spécifiée sur la plaque de l'appareil. Une source d'alimentation avec une tension supérieure à celle indiquée sur l'appareil peut engendrer de sérieuses blessures pour l'utilisateur, et endommager l'appareil. En cas de doute, ne branchez pas l'appareil. Une source d'alimentation avec une tension inférieure à celle indiquée sur l'appareil est néfaste pour le moteur.

Descriptif produit

- Socle de guidage
(pour la défonceuse Triton TRA001)
- Socle de guidage
(pour les défonceuses Triton MOF001 et JOF001)
- Bague de centrage (et adaptateur pour bagues de copiage Porter Cable)
- Vis M4
- Bagues de copiage
- Entretoise de table

Usage conforme

Kit d'accessoires pour le montage de bagues de copiage sur les défonceuses Triton, pour fraisage sur gabarits et utilisation avec des gabarits sur-mesure, comprenant des bagues de copiage de différents diamètres, des socles de guidage et une entretoise pour utilisation sur table de défonceuse.

Déballage

- Déballer le produit avec soin. Veuillez à retirer tout le matériel d'emballage et familiarisez-vous avec toutes les caractéristiques du produit.
- Si des pièces sont endommagées ou manquantes, faites-les réparer ou remplacer avant d'utiliser l'appareil.

Avant utilisation

Remarque : Pour utiliser les bagues de copiage (5, A – H) pour fraisage sur gabarits, vous devez d'abord monter le socle de guidage (1 ou 2) sur la base de votre défonceuse triton.

Préparation du socle de guidage

1. Choisissez le socle de guidage (1 ou 2) qui est adapté à votre modèle de défonceuse Triton (voir Nomenclature)
2. Introduisez les deux vis M4 (4) dans les trous présents sur le côté en creux du socle de guidage, en laissant 3 mm d'espacement sous chacune des têtes de vis.
3. Placez la bague de centrage (3), partie en relief vers le bas, au centre du socle de guidage (2), en disposant les deux évidements latéraux qu'elle présente de manière à contourner la tête des vis.
4. Faites alors tourner la bague de centrage (3) pour que les évidements ne soient plus alignés avec la tête des vis, puis vissez les vis pour maintenir la bague de centrage (3) sur le socle de guidage.

Installation du socle de guidage sur les défonceuses Triton JOF001 et MOF001 (Fig. I)

1. Placez la défonceuse triton fraise vers le haut et faites-la passer à profondeur de plongée maximale, bloquant ainsi la pince de serrage.
2. Enlevez la fraise si elle est montée.
3. En utilisant un tournevis approprié (non fourni), dévissez les 4 vis à tête cruciforme qui retiennent la semelle noire sur le socle de l'appareil, puis retirez ce socle.
4. Montez le socle de guidage (2) sur le creux à l'intérieur de la semelle plastique (c'est-à-dire entre la base de la défonceuse et la semelle, voir Fig. I).
5. Placez le socle de guidage (2) sur le socle de l'appareil, par-dessus la pince de serrage de la défonceuse.

ATTENTION : Assurez-vous que la semelle plastique soit alignée avec la base de la défonceuse, et que les 4 trous de fixation des vis sont alignés correctement.

6. Fixez le tout à l'aide des 4 vis cruciformes et serrez-les fermement.

ATTENTION : Ne serez pas outre mesure, car cela pourrait déformer la semelle en plastique.

Installation du socle de guidage sur la défonceuse Triton TRA001 (Fig. II)

1. Placez la défonceuse triton fraise vers le haut et faites-la passer à profondeur de plongée maximale, bloquant ainsi la pince de serrage.
2. Enlevez la fraise si elle est montée.
3. En utilisant un tournevis approprié (non fourni), dévissez les 4 vis à tête cruciforme qui retiennent la semelle noire sur le socle de l'appareil, puis retirez ce socle.
4. Placez le socle de guidage (1) sur le socle de l'appareil, par-dessus la pince de serrage de la défonceuse.

ATTENTION : Assurez-vous que les trous du socle de guidage soient alignés avec les trous correspondant de la base de la défonceuse.

5. Placez la semelle en plastique noire sur le socle de guidage

7. Fixez le tout à l'aide des 4 vis cruciformes et serrez-les fermement.

ATTENTION : Ne serez pas outre mesure, car cela pourrait déformer la semelle en plastique.

Installation d'une bague de copiage

1. Montez une fraise dans la pince de serrage et diminuez la profondeur de plongée de sorte que la fraise disparaisse juste sous le niveau de la semelle.
2. Desserrez les deux vis M4 (4), retirez la bague de centrage (3) et installez à la place la bague de copiage (5, A - H) requise en orientant sa collerette vers l'extérieur (vers vous).
3. Tournez la fraise à la main afin de vous assurer qu'il y ait un espace réel entre la fraise et la bague de copiage.

Installation d'une bague de copiage Porter Cable sur le socle de guidage

1. Desserrez les vis M4 (4) et retirez la bague de centrage (3) du socle de guidage (1 ou 2).
2. Installez la bague de copiage Porter Cable sur la face en creux de la bague de centrage.
3. Installez cet ensemble sur le socle de guidage.

Usage sur table (fig. III)

REMARQUE : L'entretoise (6) doit être installée lors des opérations de fraisage en poste fixe sur table.

1. Retirez l'embase ronde située sur la plaque principale de votre table pour défonceuse.
2. Retirez les vis M4 (4) ainsi que la bague de centrage (3) du socle de guidage (1 ou 2) et installez l'entretoise (6), côté en relief vers le bas, au centre du socle de guidage.
3. Alignez les trous de vissage, puis installez les vis et la bague de copiage de votre choix (5, A – H).

Retirer le socle de guidage

- Le socle de guidage (1 ou 2) peut rester monté sur la défonceuse même lors de la réalisation de fraisages ne demandant pas l'emploi de bagues de copiage, aussi bien pour des opérations manuelles (appareil tenu en main) que pour des opérations où la défonceuse est fixée sous la table.
- L'utilisation de fraises d'un diamètre dépassant 50 mm (2") demande à ce que l'on retire le socle de guidage (1 ou 2).
- Pour enlever le socle de guidage, suivez les instructions de montage ci-dessus en ordre inverse.

Entretien

ATTENTION : Déconnectez toujours les outils de leur source d'alimentation électrique avant toute opération d'entretien ou de nettoyage.

- Vérifiez régulièrement que les vis de fixation soient bien serrées. Les vibrations peuvent les desserrer avec le temps.
- Vérifiez régulièrement que les vis M4 (4) soient bien serrées.
- Il est possible que vous préférerez retirer ces vis (4) ainsi que la bague de centrage (3) lorsque vous n'utilisez pas de bague de copiage. Conservez-les alors en lieu sûr.

Nettoyage

Gardez l'appareil propre. La poussière et la saleté provoquent l'usure rapide des éléments internes de l'appareil, ce qui réduit sa durabilité. Utilisez une brosse souple ou un chiffon sec pour le nettoyage. Si possible, nettoyez les orifices de ventilation à l'air comprimé propre et sec.

Rangement

- Rangez cet outil dans un endroit sec, sur et hors de portée des enfants.

Garantie

Pour valider votre garantie, rendez-vous sur notre site internet www.tritontools.com* et saisissez vos coordonnées.

Vos coordonnées seront introduites dans notre liste de diffusion (sauf indication contraire) afin de vous informer de nos prochaines nouveautés. Les informations que vous nous fournirez ne seront pas communiquées à des tiers.

Pense-bête

Date d'achat : ___ / ___ / ____

Modèle: TGA250

Veuillez conserver votre ticket de caisse comme preuve d'achat.

Si toute pièce de ce produit s'avérait défectueuse du fait d'un vice de fabrication ou de matériau dans les 3 ANS suivant la date d'achat, Triton Precision Power Tools s'engage auprès de l'acheteur de ce produit à réparer ou, à sa discrétion, à remplacer gratuitement la pièce défectueuse.

Cette garantie ne s'applique pas à l'utilisation commerciale et ne s'étend pas non plus à l'usure normale ou aux dommages causés par des accidents, des mauvais traitements ou une utilisation impropre.

* Enregistrez votre produit en ligne dans les 30 jours suivant la date d'achat.

Offre soumise à conditions.

Ceci n'affecte pas vos droits statutaires.

Übersetzung der Originalbetriebsanleitung

Einführung

Vielen Dank, dass Sie sich für dieses Triton-Werkzeug entschieden haben. Diese Anleitung enthält wichtige Informationen für das sichere und effektive Arbeiten mit diesem Produkt. Bitte lesen Sie diese Anleitung sorgfältig durch, um den größtmöglichen Nutzen aus dem einzigartigen Design dieses Produkts ziehen zu können. Bewahren Sie diese Anleitung griffbereit auf und sorgen Sie dafür, dass alle Benutzer dieses Geräts sie gelesen und verstanden haben.

Beschreibung der Symbole



Gehörschutz tragen
Augenschutz tragen
Atemschutz tragen
Kopfschutz tragen



Bedienungsanleitung sorgfältig lesen



Achtung, Gefahr!

Technische Daten

Oberfräsenkompatibilität: Triton-Präzisionsoberfräsen
JOF001, MOF001, TRA001

Kopieringekompatibilität: alle Triton-Kopierringe u. Porter-Cable-Kopierringe (inkl. Adapter)

Materialien: Messing, verchromt (Kopierringe)
Stahl, verchromt (Basisplatten)
Nylon (Abstandhalter)

Im Lieferumfang enthaltene Kopierringe:

	Außendurchmesser	Innendurchmesser
A	$\frac{5}{16}$ Zoll	$\frac{1}{4}$ Zoll
B	$\frac{3}{8}$ Zoll	$\frac{9}{32}$ Zoll
C	$\frac{7}{16}$ Zoll	$\frac{11}{32}$ Zoll
D	$\frac{1}{2}$ Zoll	$\frac{13}{32}$ Zoll
E	$\frac{5}{8}$ Zoll	$\frac{17}{32}$ Zoll
F	$\frac{3}{4}$ Zoll	$\frac{5}{8}$ Zoll
G	$\frac{3}{4}$ Zoll	$\frac{21}{32}$ Zoll
H	30 mm	27 mm

Allgemeine Sicherheitshinweise

wARNUNG! Lesen Sie alle Sicherheitshinweise und Anweisungen.

Versäumnisse bei der Einhaltung der Sicherheitshinweise und Anweisungen können elektrischen Schlag, Brand und/oder schwere Verletzungen verursachen.

WARNUNG: Dieses Gerät darf nicht von Personen (wie z.B. Kindern) mit eingeschränkten körperlichen oder geistigen Fähigkeiten oder von Personen ohne Erfahrung im Umgang mit einem solchen Gerät betrieben werden, außer wenn sie von einer für ihre persönliche Sicherheit verantwortlichen Person in der Benutzung unterwiesen worden sind und dabei beaufsichtigt werden. Kinder müssen beaufsichtigt werden, um sicherzustellen, dass sie das Gerät nicht als Spielzeug verwenden.

Bewahren Sie alle Sicherheitshinweise und Anweisungen für die Zukunft auf.

Der in den Sicherheitshinweisen verwendete Begriff „Elektrowerkzeug“ bezieht sich auf netzbetriebene Elektrowerkzeuge (mit Netzkabel) und auf akkubetriebene Elektrowerkzeuge (ohne Netzkabel).

Arbeitsplatzsicherheit

- Halten Sie Ihren Arbeitsbereich sauber und gut beleuchtet.**
Unordnung oder unbeluchtete Arbeitsbereiche können zu Unfällen führen.
- Arbeiten Sie mit dem Elektrowerkzeug nicht in explosionsgefährdeter Umgebung, in der sich brennbare Flüssigkeiten, Gase oder Stäube befinden.** Elektrowerkzeuge erzeugen Funken, die den Staub oder die Dämpfe entzünden können.
- Halten Sie Kinder und andere Personen während der Benutzung des Elektrowerkzeugs fern.** Bei Ablenkung können Sie die Kontrolle über das Gerät verlieren.

Elektrische Sicherheit

- Der Anschlussstecker des Elektrowerkzeuges muss in die Steckdose passen. Der Stecker darf in keiner Weise verändert werden. Verwenden Sie keine Adapterstecker gemeinsam mit geschützten Elektrowerkzeugen.** Unveränderte Stecker und passende Steckdosen verringern das Risiko eines elektrischen Schlages.
- Vermeiden Sie Körperkontakt mit geerdeten Oberflächen wie von Rohren, Heizungen, Herden und Kühlschränken.** Es besteht ein erhöhtes Risiko durch elektrischen Schlag, wenn Ihr Körper geerdet ist.
- Halten Sie Elektrowerkzeuge von Regen oder Nässe fern.** Das Eindringen von Wasser in ein Elektrowerkzeug erhöht das Risiko eines elektrischen Schlages.
- Zweckentfremden Sie das Kabel nicht, um das Elektrowerkzeug zu tragen, aufzuhängen oder um den Stecker aus der Steckdose zu ziehen. Halten Sie das Kabel fern von Hitze, Öl, scharfen Kanten oder sich bewegenden Geräteteilen.** Beschädigte oder verwickelte Kabel erhöhen das Risiko eines elektrischen Schlages.
- Wenn Sie mit einem Elektrowerkzeug im Freien arbeiten, verwenden Sie nur Verlängerungskabel, die auch für den Außenbereich geeignet sind.** Die Anwendung eines für den Außenbereich geeigneten Verlängerungskabels verringert das Risiko eines elektrischen Schlages.
- Wenn der Betrieb des Elektrowerkzeuges in feuchter Umgebung nicht vermeidbar ist, verwenden Sie einen Fehlerstromschutzschalter.** Der Einsatz eines Fehlerstromschutzschalters vermindert das Risiko eines elektrischen Schlages.

WARNUNG! In Australien und Neuseeland darf dieses Gerät nur unter Verwendung einer Fehlerstromschutzeinrichtung (FI-Schalter) mit einem Bemessungsfehlerstrom von höchstens 30 mA an die Spannungsversorgung angeschlossen werden.

Sicherheit von Personen

- Seien Sie aufmerksam, achten Sie darauf, was Sie tun, und gehen Sie mit Vernunft an die Arbeit mit einem Elektrowerkzeug. Benutzen Sie kein Elektrowerkzeug, wenn Sie müde sind oder unter dem Einfluss von Drogen, Alkohol oder Medikamenten stehen.** Ein Moment der Unachtsamkeit beim Gebrauch des Elektrowerkzeuges kann zu ernsthaften Verletzungen führen.
- Tragen Sie persönliche Schutzausrüstung und immer eine Schutzbrille.** Das Tragen persönlicher Schutzausrüstung, wie Staubmaske, rutschfeste Sicherheitsschuhe, Schutzhelm oder Gehörschutz, je nach Art und Einsatz des Elektrowerkzeuges, verringert das Risiko von Verletzungen.

- Vermeiden Sie eine unbeabsichtigte Inbetriebnahme. Vergewissern Sie sich, dass das Elektrowerkzeug ausgeschaltet ist, bevor Sie es an die Stromversorgung und/oder den Akku anschließen, es aufnehmen oder tragen.** Wenn Sie beim Tragen des Elektrowerkzeuges den Finger am Schalter haben oder das Gerät eingeschaltet an die Stromversorgung anschließen, kann dies zu Unfällen führen.
- Entfernen Sie Einstellwerkzeuge oder Schraubenschlüssel, bevor Sie das Elektrowerkzeug einschalten.** Ein Werkzeug oder Schlüssel, der sich in einem drehenden Geräteteil befindet, kann zu Verletzungen führen.
- Vermeiden Sie eine unnatürliche Körperhaltung. Sorgen Sie für einen sicheren Stand und halten Sie jederzeit das Gleichgewicht.** Auf diese Weise lässt sich das Elektrowerkzeug in unerwarteten Situationen besser kontrollieren.
- Tragen Sie geeignete Kleidung. Tragen Sie keine weite Kleidung oder Schmuck. Halten Sie Haare, Kleidung und Handschuhe fern von sich bewegenden Teilen.** Lockere Kleidung, Schmuck oder lange Haare können von sich bewegenden Teilen erfasst werden.
- Wenn Staubabsaug- und -auffangeinrichtungen montiert werden können, vergewissern Sie sich, dass diese angeschossen sind und richtig verwendet werden.** Verwendung einer Staubabsaugung kann Gefährdungen durch Staub verringern.

Verwendung und Behandlung des Elektrowerkzeuges

- Überlasten Sie das Gerät nicht. Verwenden Sie für Ihre Arbeit das dafür bestimmte Elektrowerkzeug.** Mit dem passenden Elektrowerkzeug arbeiten Sie besser und sicherer im angegebenen Leistungsbereich.
- Benutzen Sie kein Elektrowerkzeug, dessen Schalter defekt ist.** Ein Elektrowerkzeug, das sich nicht mehr ein- oder ausschalten lässt, ist gefährlich und muss repariert werden.
- Ziehen Sie den Stecker aus der Steckdose und/oder entfernen Sie den Akku, bevor Sie Geräteeinstellungen vornehmen, Zubehörteile wechseln oder das Gerät weglegen.** Diese Vorsichtsmaßnahme verhindert den unbeabsichtigten Start des Elektrowerkzeuges.
- Bewahren Sie unbenutzte Elektrowerkzeuge außerhalb der Reichweite von Kindern auf. Lassen Sie Personen das Gerät nicht benutzen, die mit diesem nicht vertraut sind oder diese Anweisungen nicht gelesen haben.** Elektrowerkzeuge sind gefährlich, wenn sie von unerfahrenen Personen benutzt werden.
- Pflegen Sie Elektrowerkzeuge mit Sorgfalt. Kontrollieren Sie, ob bewegliche Teile einwandfrei funktionieren und nicht klemmen, ob Teile gebrochen oder so beschädigt sind, dass die Funktion des Elektrowerkzeuges beeinträchtigt ist. Lassen Sie beschädigte Teile vor dem Einsatz des Gerätes reparieren.** Viele Unfälle haben ihre Ursache in schlecht gewarteten Elektrowerkzeugen.
- Halten Sie Schneidwerkzeuge scharf und sauber.** Sorgfältig gepflegte Schneidwerkzeuge mit scharfen Schneidkanten verkleben sich weniger und sind leichter zu führen.
- Verwenden Sie Elektrowerkzeug, Zubehör, Einsatzwerkzeuge usw. entsprechend diesen Anweisungen. Berücksichtigen Sie dabei die Arbeitsbedingungen und die auszuführende Tätigkeit.** Der Gebrauch von Elektrowerkzeugen für andere als die vorgesehenen Anwendungen kann zu gefährlichen Situationen führen.

Service

- Lassen Sie Ihr Elektrowerkzeug nur von qualifiziertem Fachpersonal und nur mit Original-Ersatzteilen reparieren.** Damit wird sichergestellt, dass die Sicherheit des Elektrowerkzeuges erhalten bleibt.

WARNHINWEIS: Stellen Sie vor Anschluss eines Werkzeugs an eine Stromquelle (Steckdose, Stromanschluss u.ä.) sicher, dass die Netzspannung der auf dem Typenschild des Werkzeugs angegebenen Spannung entspricht. Eine Stromquelle mit einer höheren Spannung als der für das Werkzeug spezifizierten Spannung kann zu schweren Verletzungen des Bedieners sowie Beschädigung des Werkzeugs führen. Schließen Sie das Werkzeug im Zweifelsfall nicht an. Eine niedrigere Spannung als auf dem Typenschild angegeben schadet dem Motor.

Produktübersicht

1. Basisplatte
(für Triton-Oberfräse TRA001)
2. Basisplatte
(für Triton-Oberfräsen MOF001 u. JOF001)
3. Zentrier링
(mit Adapter für Porter-Cable-Kopierhülsen)
4. M4-Befestigungsschrauben
5. Kopierringe
6. Abstandhalter

Bestimmungsgemäße Verwendung

Zubehörsatz zur Montage von Kopierlingen an Triton-Oberfräsen, zum Schablonenfräsen und für die Verwendung von selbstgebauten Fräsvorrichtungen einschließlich Kopierlingen mit unterschiedlichen Durchmessern, Montageplatten und Abstandhaltern für die Arbeit an Frästischen.

Auspacken des Gerätes

- Packen Sie Ihr Werkzeug vorsichtig aus und überprüfen Sie es. Machen Sie sich vollständig mit all seinen Eigenschaften und Funktionen vertraut.
- Vergewissern Sie sich, dass sämtliche Teile des Werkzeugs vorhanden und in einwandfreiem Zustand sind. Sollten Teile fehlen oder beschädigt sein, lassen Sie diese ersetzen, bevor Sie das Werkzeug verwenden.

Vor Inbetriebnahme

Hinweis: Um die Kopierlinge (5, A–H) zum Schablonenfräsen zu verwenden, muss zunächst die Basisplatte (1 bzw. 2) an die Grundplatte Ihrer Triton-Oberfräse montiert werden.

Vorbereiten der Basisplatte

1. Wählen Sie die für Ihre Triton-Oberfräse passende Basisplatte (1 oder 2) aus (siehe „Produktübersicht“).
2. Setzen Sie die beiden M4-Befestigungsschrauben (4) locker von der vertieften Seite aus in die Löcher der Basisplatte und lassen Sie dabei einen Abstand von 3 mm unter beiden Schraubenköpfen.
3. Setzen Sie den Zentrier링 (3) mit der vertieften Seite nach oben mittig auf die Basisplatte. Die beiden Aussparungen müssen dabei an den beiden Schraubenköpfen anliegen.
4. Drehen Sie den Zentrier링, bis die Aussparungen nicht länger an den Schraubenköpfen verlaufen. Ziehen Sie dann die Schrauben mit einem passenden Schraubendreher (nicht im Lieferumfang enthalten), um den Zentrier링 an der Basisplatte zu befestigen.

Basisplatte an den Triton-Tauchfräsen JOF001 und MOF001 montieren (I)

1. Drehen Sie die Triton-Oberfräse um und bringen Sie sie in die Spannanzgen-Arretierstellung.
2. Entfernen Sie den Fräser, sofern dieser montiert ist.
3. Nehmen Sie einen passenden Kreuzschlitzschraubendreher (nicht im Lieferumfang enthalten) zur Hand und lösen Sie die vier Kreuzschlitzschrauben, mit denen die schwarze Gleitplatte aus Kunststoff montiert ist. Entfernen Sie anschließend die Gleitplatte.
4. Setzen Sie die Basisplatte (2) in die dafür vorgesehene Aussparung innen an der Kunststoff-Gleitplatte (d.h. zwischen die Grundplatte und die Gleitplatte; siehe Abb. A).
5. Setzen Sie die Basisplatte (2) über die Spannanzge auf die Grundplatte der Oberfräse.

WARNUNG! Vergewissern Sie sich, dass die Kunststoff-Gleitplatte auf der Grundplatte der Oberfräse zentriert ist und dass sich alle vier Schraubenlöcher decken.

6. Setzen Sie die vier Kreuzschlitzschrauben wieder ein und ziehen Sie sie gut an.

WARNUNG! Ziehen Sie die Schrauben nicht zu fest an, da sich die Gleitplatte sonst möglicherweise verzieht.

Basisplatte an der Triton-Tauchfräse TRA001 montieren (II)

1. Drehen Sie die Triton-Oberfräse um und bringen Sie sie in die Spannanzgen-Arretierstellung.
2. Entfernen Sie den Fräser, sofern dieser montiert ist.
3. Nehmen Sie einen passenden Kreuzschlitzschraubendreher (nicht im Lieferumfang enthalten) zur Hand und lösen Sie die vier Kreuzschlitzschrauben, mit denen die schwarze Gleitplatte aus Kunststoff montiert ist. Entfernen Sie anschließend die Gleitplatte.
4. Setzen Sie die Basisplatte (1) über die Spannanzge auf die Grundplatte der Oberfräse.

WARNUNG! Vergewissern Sie sich, dass sich die Befestigungslöcher in der Basisplatte mit denen in der Grundplatte decken.

5. Legen Sie die schwarze Gleitplatte aus Kunststoff auf die Basisplatte auf.
6. Setzen Sie die vier Kreuzschlitzschrauben wieder ein und ziehen Sie sie gut an.

WARNUNG! Ziehen Sie die Schrauben nicht zu fest an, da sich die Gleitplatte sonst möglicherweise verzieht.

Kopier링 an der Basisplatte anbringen

1. Setzen Sie einen Fräser in die Spannanzge der Oberfräse ein und stellen Sie die Eintauchtiefe so ein, dass der Fräser nicht sichtbar ist.
2. Lösen Sie die beiden M4-Befestigungsschrauben (4), entfernen Sie den Zentrier링 (3) und setzen Sie stattdessen den gewünschten Kopier링 (5, A–H) ein. Legen Sie den Kopier링 mit seinem Hals nach oben und vom Fräserkörper fortweisend auf.
3. Drehen Sie den Fräser von Hand, um zu überprüfen, dass sich Fräser und Kopier링 nirgends berühren.

Porter-Cable-Kopierringe an die Basisplatte anbringen

1. Lösen Sie die M4-Befestigungsschrauben (4) und nehmen Sie den Zentrier링 (3) von der Basisplatte (1 bzw. 2).
2. Setzen Sie den Porter-Cable-Kopier링 in die vertiefte Seite des Zentrierlings.
3. Montieren Sie diese Einheit an die Basisplatte.

Stationärbetrieb (III)

Hinweis: Zum Schablonenfräsen auf einem Frästisch wird der Abstandhalter (6) benötigt.

1. Nehmen Sie den Einsatzring aus dem Frästisch.
2. Entfernen Sie die M4-Befestigungsschrauben (4) und den Zentrier링 (3) von der Basisplatte (1 bzw. 2) und setzen Sie den Abstandhalter (6) mit der vertieften Seite nach oben mittig in die Basisplatte.
3. Richten Sie die Schraubenlöcher aufeinander aus und setzen Sie dann die Schrauben und den benötigten Kopier링 (5, A–H) ein.

Entfernen der Basisplatte

- Die Basisplatte (1 bzw. 2) kann auch ohne die Kopierlinge bei den meisten Schnitten sowohl im Hand- als auch im Stationärbetrieb an der Oberfräse montiert bleiben.
- Bei der Verwendung von Fräsern mit einem Durchmesser über 50 mm (2 Zoll) muss die Basisplatte (1 bzw. 2) jedoch entfernt werden.
- Gehen Sie zum Entfernen der Basisplatte in umgekehrter Reihenfolge vor (siehe Montageanleitung oben).

Instandhaltung

WARNUNG! Trennen Sie Elektrowerkzeuge stets vom Stromnetz, bevor Sie Wartungs- und/oder Reinigungsarbeiten durchführen.

- Prüfen Sie sämtliche Befestigungsschrauben regelmäßig auf festen Sitz. Sie können sich mit der Zeit durch Vibration lösen.
- Prüfen Sie die M4-Befestigungsschrauben (4) regelmäßig auf festen Sitz.
- Wenn kein Kopierriem verwendet wird, sollten die M4-Befestigungsschrauben und der Zentrierriem (3) möglichst entfernt und sicher aufbewahrt werden.

Reinigung

- Halten Sie Ihr Gerät stets sauber. Durch Staub und Schmutz verschleifen die inneren Teile schnell und die Lebensdauer des Gerätes wird verkürzt. Säubern Sie das Gerätegehäuse mit einer weichen Bürste oder einem trockenen Tuch. Die Entlüftungöffnungen gegebenenfalls mit sauberer, trockener Druckluft reinigen, sofern verfügbar.

Lagerung

- Gerät an einem sicheren, trockenen Ort außerhalb der Reichweite von Kindern lagern.

Garantie

Zur Anmeldung Ihrer Garantie besuchen Sie bitte unsere Website www.tritontools.com* und tragen dort Ihre persönlichen Daten ein. Ihre Angaben werden (wenn nicht anders angewiesen) in unseren elektronischen Verteiler aufgenommen, damit Sie Information über zukünftige Produkteinführungen erhalten. Die von Ihnen bereitgestellten Angaben werden nicht an Dritte weitergegeben.

Kaufinformation

Kaufdatum: ___ / ___ / ___

Modell: TGA250 Bewahren Sie bitte Ihren Beleg als Kaufnachweis auf.

Triton garantiert dem Käufer dieses Produkts, dass Triton, wenn sich Teile dieses Produkts innerhalb von 3 Jahren ab Originalkaufdatum infolge fehlerhafter Materialien oder Arbeitsausführung als defekt erweisen, das mangelhafte Teil nach eigenem Ermessen entweder kostenlos reparieren oder ersetzen wird.

Diese Garantie gilt nicht für kommerzielle Verwendung und erstreckt sich nicht auf normalen Verschleiß oder Schäden infolge von Unfall, Missbrauch oder unsachgemäßer Verwendung.

*Bitte registrieren Sie sich innerhalb von 30 Tagen nach dem Kauf online.

Es gelten die allgemeinen Geschäftsbedingungen.

Ihre gesetzlich festgelegten Rechte werden dadurch nicht eingeschränkt.

Traduzione delle istruzioni originali

Introduzione

Grazie per aver acquistato questo utensile Triton. Queste istruzioni contengono informazioni utili per il funzionamento sicuro ed affidabile del prodotto. Per essere sicuri di utilizzare al meglio il potenziale dell'utensile si raccomanda pertanto di leggere a fondo questo manuale. Conservare il manuale in modo che sia sempre a portata di mano e accertarsi che l'operatore dell'elettro utensile lo abbia letto e capito a pieno.

Descrizioni dei simboli



Indossare la protezione dell'udito
Indossare occhiali protettivi
Indossare protezione respiratoria
Indossare il casco



Leggi manuale di istruzioni



Attenzione!

Specifiche Tecniche

Fresatrici compatibili: Fresatrice Triton di precisione
JOF001, MOF001, TRA001

Bussole di guida compatibili: Tutte le bussole di guida Triton e bussole di guida porta cavo (adattatore incluso)

Materiali: ottone, cromato (boccole di guida)
acciaio, (piastre di guida) cromati
nylon (distanziatore per banco)

Inclusi diametric per bussole di guida:

	Diametro esterno	Diametro interno
A	$\frac{5}{8}$ "	$\frac{1}{4}$ "
B	$\frac{3}{8}$ "	$\frac{9}{32}$ "
C	$\frac{7}{8}$ "	$\frac{1}{32}$ "
D	$\frac{1}{2}$ "	$\frac{13}{32}$ "
E	$\frac{5}{8}$ "	$\frac{17}{32}$ "
F	$\frac{51}{64}$ "	$\frac{3}{8}$ "
G	$\frac{3}{4}$ "	$\frac{21}{32}$ "
H	30mm	27mm

Norme generali di sicurezza

AVVERTENZA: Leggere ed assimilare tutte le istruzioni. La non osservanza delle seguenti istruzioni può causare scosse elettriche, incendi e/o lesioni gravi.

ATTENZIONE: Questo dispositivo non è destinato all'uso da parte di persone (bambini compresi) con ridotte capacità, fisici o mentali o mancanza di esperienza o di conoscenza, a meno che non siano controllati o istruiti all'uso dell'apparecchio da una persona responsabile della loro sicurezza. I bambini devono essere sorvegliati per assicurarsi che non giochino con l'apparecchio. Salvare tutte le avvertenze e le istruzioni per riferimenti futuri.

Il termine "elettroutensile" nelle avvertenze si riferisce al vostro utensile operato dalla rete-elettrica (con cavo) o a batteria (senza cavo).

Sicurezza dell'area di lavoro

- Tenere la zona di lavoro pulita e ben illuminata.** Il disordine o zone scure possono causare incidenti.
- Non utilizzare gli elettroutensili in atmosfere esplosive, come ad esempio in presenza di liquidi infiammabili, gas o polveri.** Gli utensili elettrici generano scintille che possono far infiammare la polvere o gas.
- Tenere lontani bambini e astanti durante l'operazione di un utensile elettrico.** Le distrazioni possono causare la perdita di controllo.

Sicurezza elettrica

- Le spine degli elettroutensili devono essere adatta alla presa. Non modificare la spina in alcun modo. Non utilizzare adattatori con gli utensili elettrici a terra (a terra).** Le spine non modificate e le prese adatte riducono il rischio di scosse elettriche.
- Evitare il contatto del corpo con superfici collegate a terra, come tubi, radiatori, cucine e frigoriferi.** Vi è un aumento del rischio di scosse elettriche se il tuo corpo è messo a massa.
- Non esporre gli elettroutensili alla pioggia o all'umidità.** Infiltrazione di acqua in un utensile elettrico va ad aumentare il rischio di scosse elettriche.
- Non tirare il cavo. Non usare mai il cavo per trasportare, tirare o scollegare l'alimentazione. Tenere il cavo lontano da fonti di calore, olio, bordi taglienti o parti mobili.** I cavi danneggiati o aggrovigliati aumentano il rischio di scosse elettriche.
- Quando si utilizza un utensile all'aperto, utilizzare una prolunga adatta per l'uso esterno.** L'utilizzo di un cavo adatto per uso esterno riduce il rischio di scosse elettriche.
- Se l'operazione di un elettroutensile in un luogo umido è inevitabile, utilizzare un dispositivo di corrente residua (RCD) Alimentazione protetta.** L'utilizzo di un RCD riduce il rischio di scosse elettriche.

AVVERTENZA: Quando utilizzato in Australia o in Nuova Zelanda, si raccomanda che questo strumento viene sempre fornito con dispositivo di corrente residua (RCD) con una corrente differenziale nominale di 30 mA o meno.

Sicurezza personale

- Concentrarsi su ciò che si sta facendo e usare il buon senso quando si utilizza un apparecchio elettrico. Non utilizzare un elettroutensile quando si è stanchi o sotto l'influenza di droghe, alcol o medicinali.** Un attimo di distrazione durante la guida di utensili elettrici può causare gravi lesioni personali.
- Utilizzare dispositivi di protezione individuale. Indossare sempre protezioni per gli occhi.** Dispositivi di protezione individuale come la maschera antipolvere, scarpe di sicurezza antiscivolo, casco, o protezione acustica utilizzata per ridurre il rischio di lesioni personali.
- Evitare l'accensione involontaria. Assicurarsi che l'interruttore è in posizione OFF prima di collegare alla presa di corrente e / o batteria, raccogliere o trasportare lo strumento.** Trasportando elettroutensili con il dito sull'interruttore o energizzante causa incidenti.
- Rimuovere qualsiasi chiave di regolazione prima di accendere l'utensile.** Una chiave inglese lasciata allegata ad una parte rotante della macchina può provocare lesioni personali.
- Non sopravvalutarsi. Mantenere sempre una posizione corretta e l'equilibrio in ogni momento.** Ciò consente un migliore controllo dello strumento in situazioni inaspettate.
- Vestirsi in modo adeguato. Non indossare abiti larghi o gioielli. Tenere i capelli, vestiti e guanti lontano da parti in movimento.** Vestiti larghi, gioielli o capelli lunghi potranno impigliarsi in parti in movimento.

- Se sono forniti dispositivi per il collegamento di estrazione e raccolta della polvere, assicurarsi che gli stessi siano collegati e utilizzati correttamente.** L'uso di raccolta della polvere può ridurre la polvere i pericoli derivanti

Utilizzo degli elettroutensili e la cura

- Non forzare l'utensile. Utilizzare lo strumento con la corretta alimentazione per l'applicazione.** L'utensile elettrico adatto si farà il lavoro meglio e in modo più sicuro alla velocità per cui è stato progettato.
- Non utilizzare utensili elettrici se l'interruttore non si accende e spegne.** Un utensile elettrico che non può essere controllato con l'interruttore è pericoloso e deve essere riparato.
- Staccare la spina dalla presa di corrente e/o la batteria dallo strumento di alimentazione prima di effettuare qualsiasi regolazione, sostituzione degli accessori o conservazione degli elettroutensili.** Tali misure di sicurezza preventiva ridurre il rischio di avviare lo strumento accidentalmente.
- Custodire gli utensili elettrici non utilizzati fuori dalla portata dei bambini e non consentire a persone che non conoscono questo strumento o istruzioni per operare questo utensile.** Elettroutensili sono pericolosi nelle mani di utenti inesperti.
- Mantenere gli elettroutensili. Controllare per disallineamento o legame di parti in movimento, la rottura di parti e di ogni altra condizione che possa influenzare il funzionamento dello strumento. In caso di danneggiamento, Far riparare l'apparecchio prima dell'uso.** Molti incidenti sono causati da scarsa manutenzione.
- Mantenere gli strumenti di taglio affilati e puliti.** Correttamente mantenuti utensili da taglio con bordi affilati, sono meno soggetti al bloccaggio e sono più facili da controllare.
- Utilizzare utensili elettrici, accessori e attrezzi, ecc. in conformità con le istruzioni, tenendo conto delle condizioni di lavoro e il lavoro da svolgere.** L'uso di utensili elettrici per usi diversi da quelli consentiti potrà dar luogo a situazioni pericolose.

Servizio

- Fare ispezionare l'utensile da personale di assistenza specializzato utilizzando solo pezzi di ricambio originali. Ciò garantirà che la sicurezza dell'elettroutensile venga mantenuta.

ATTENZIONE: Prima di collegare uno strumento ad una fonte di alimentazione (interruttore di rete, presa, ecc), assicurarsi che la tensione è la stessa di quella indicata sulla targhetta dello strumento. Una fonte di alimentazione con tensione superiore a quella specificata sullo strumento è in grado di causare gravi lesioni all'utente, e danno allo strumento. In caso di dubbio, non inserire nello strumento. Utilizzando una fonte di alimentazione con tensione inferiore a quella indicata sulla targhetta è dannoso per il motore.

Familiarizzazione Prodotto

- Piastra di guida (si adatta a fresatrice Triton modello TRA001)
- Piastra di guida (si adatta a fresatrice Triton modelli MOFO01 & JOFO01)
- Bussola di allineamento (e adattatore bussola di guida porta cavo)
- M4 Viti
- Bussolle di guida
- Distanziatori banco

Uso previsto

kit di accessori per il montaggio di bussolle di guida alla fresatrice Triton, per il modello di fresatura e l'uso di giga personalizzate, comprese bussolle di guida di diversi diametro, piastre di montaggio e distanziale per il funzionamento in banchi fresa.

Disimballaggio dello strumento

- Estrarre delicatamente e controllare il vostro strumento. Familiarizzarsi con tutte le sue caratteristiche e funzioni
- Assicurarsi che tutte le parti dello strumento siano presenti e in buone condizioni. In caso di parti mancanti o danneggiate, sostituite tali parti prima di utilizzare questo strumento

Prima dell'uso

NB: Per utilizzare le bussole di guida (5, A - H) per il modello di fresatura, è necessario montare la piastra di guida (1 o 2) alla base della fresatrice Triton.

Preparazione della piastra di guida

1. Scegliere la piastra di guida corretta (1 o 2) che si adatta al vostro modello di fresatura Triton (vedere "familiarizzazione prodotto")
2. Liberamente montare le due viti M4 (4) nei fori sul lato depresso della piastra di guida, lasciando un vuoto di 3 mm sotto ogni testa della vite
3. Fermare la bussola di allineamento (3), con il lato depresso verso l'alto, al centro della piastra di guida con le due tacche allineate con le teste delle viti
4. Ruotare la bussola di allineamento fino a quando le tacche non si allineano più con le teste delle viti, poi stringere le viti utilizzando un cacciavite adatto (non incluso) per fissare la bussola di allineamento sulla piastra di guida

Montaggio della piastra di guida per la fresatrice Triton JOF001 e fresatrice ad immersione MOF001 (Fig. I)

1. Girare la fresatrice Triton a testa in giù e immergerla nella posizione di blocco pinza
2. Rimuovere la punta della fresatrice, se installato
3. Utilizzando un cacciavite adatto (non incluso), svitare le quattro viti Phillips che fissano la piastra di base in plastica nera. Rimuovere la piastra di base
4. Montare la piastra di guida (2) nello spazio dedicato sulla superficie interna della piastra di base in plastica (esempio: tra la base della fresatrice e la piastra di base, vedere fig. A)
5. Posizionare la piastra di guida (2) sopra la pinza della fresatrice alla base

ATTENZIONE: Assicurarsi che la piastra di base in plastica è centrata sulla base, e che tutti e quattro i fori per le viti siano allineati correttamente.

6. Reinstallare le quattro viti Phillips, e stringere saldamente

ATTENZIONE: NON serrare eccessivamente, in quanto questo può distorcere la piastra di base.

Montaggio della piastra di guida al router tuffo Triton TRA001 (Fig. II)

1. Capovolgere la fresatrice Triton a testa in giù ed immergerla nella posizione di blocco pinza
2. Rimuovere la punta della fresatrice, se installata
3. Utilizzando un cacciavite adatto (non incluso), svitare le quattro viti Phillips che fissano la piastra di base in plastica nera. Rimuovere la piastra di base
4. Posizionare la piastra di guida (1) sopra la pinza della fresatrice sulla base

ATTENZIONE: Assicurarsi che tutti i fori nella piastra guida si allineano con i fori corrispondenti sulla base della fresatrice.

5. Fermare la piastra di plastica nera sulla parte superiore della piastra di guida

6. Reinstallare le quattro viti Phillips, e stringere saldamente

ATTENZIONE: NON serrare eccessivamente, in quanto questo può distorcere la piastra di base.

Montaggio di una bussola per la piastra di guida

1. Montare una fresa nella pinza e regolare l'immersione fino a quando la fresa è nascosta
2. Allentare le due viti M4 (4), rimuovere la bussola di allineamento (3) e al suo posto montare la bussola di guida (5, A - H) richiesta. Montare la bussola di guida con il suo collare in su, che punta lontano dal corpo della fresatrice
3. Ruotare la taglierina a mano per assicurarsi che ci sia spazio completo tra la fresa e la bussola di guida

Montaggio della bussola di guida porta cavo alla piastra di guida

1. Allentare le viti M4 (4) e rimuovere la bussola di allineamento (3) dalla piastra di guida (1 o 2)
2. Montare la bussola di guida porta cavo nel lato ad incasso della bussola di allineamento
3. Montare questa assemblea alla piastra di guida

Uso a banco montato (Fig. III)

NB: Il distanziatore a banco (6) è necessario quando tagliando forme su un banco fresa

1. Rimuovere l'anello ad inserto dal vostro banco fresa
2. Rimuovere le viti M4 (4) e bussole di allineamento (3) dalla piastra di guida (1 o 2), e fermare i distanziatori da banco (6), lato ad incasso rivolto verso l'alto, al centro della piastra di guida
3. Allineare i fori delle viti, poi inserire le viti e la necessaria bussola di guida (5, A - H)

Rimozione della piastra di guida

- Anche quando non si utilizza le guide, la piastra di guida (1 o 2) può rimanere montato sulla fresatrice per la maggior parte dei tagli, sia che si utilizzi la fresatrice portatile o da banco montato
- Tuttavia, se si utilizza frese con un diametro maggiore di 50mm (2"), la piastra di guida (1 o 2) dovrà essere rimossa
- Per rimuovere la piastra di guida, seguire le istruzioni di montaggio sopra al contrario

Manutenzione

AVVERTENZA: Scollegare sempre strumenti dalla rete elettrica prima di effettuare qualsiasi operazione di manutenzione / pulizia.

- Controllare regolarmente che tutte le viti di fissaggio siano serrate. Essi possono vibrare allentandosi nel tempo
- Controllare regolarmente che le viti M4 (4) siano serrate saldamente
- Quando non si utilizza una bussola guida, provare a rimuovere le viti M4 e la bussola di allineamento (3) per la conservazione sicura

PULIZIA

- Mantenere lo strumento pulito in ogni momento. Sporizia e polvere causerà parti interne di usurarsi rapidamente, e ridurre la durata del dispositivo. Pulire il corpo della macchina con una spazzola morbida o un panno asciutto. Se disponibile, utilizzare l'aria compressa pulita, asciutta e soffiaria attraverso i fori di ventilazione (se del caso)

Conservazione

- Conservare con cura questo strumento in un luogo sicuro, asciutto e lontano dalla portata dei bambini

Garanzia

Per la registrazione della garanzia visitare il sito web www.tritontools.com* e inserire i propri dettagli.

A meno che il proprietario non abbia specificato diversamente, i suoi dettagli saranno inclusi nella lista di distribuzione che sarà utilizzata per inviare regolarmente informazioni sulle novità Triton. I dati personali raccolti saranno trattati con la massima riservatezza e non saranno rilasciati a terze parti.

Informazioni sull'acquisto

Data di acquisto: ___ / ___ / ___

Modello N.: TGA250 Conservare lo scontrino come prova dell'acquisto

Triton Precision Power Tools garantisce all'acquirente di questo prodotto che se qualsiasi parte si rivelasse difettoso a causa di materiali difettosi o di fabbricazione entro 3 ANNI dalla data di acquisto originale, Triton riparerà o sostituirà a sua discrezione, la parte difettosa gratuitamente.

Questa garanzia non si applica ad uso commerciale né si estende alla normale usura o danni a seguito di incidenti, abuso o uso improprio.

* Registrati entro 30 giorni.

Si applicano termini e condizioni.

Ciò non pregiudica i diritti legalitoe be defecti

Traducción del manual original

Introducción

Gracias por haber elegido esta herramienta Triton. Estas instrucciones contienen la información necesaria para utilizar este producto de forma segura y eficaz. Lea atentamente este manual para obtener todas las ventajas y características únicas de su nueva herramienta. Conserve este manual a mano y asegúrese de que todas las personas que utilicen esta herramienta lo hayan leído y entendido correctamente.

Descripción de los símbolos



Lleve protección auditiva
Lleve protección ocular
Lleve protección respiratoria
Lleve un casco de seguridad



Lea el manual de instrucciones



¡Peligro!

Características técnicas

Fresadoras compatibles:	Triton JOF001, MOF001 y TRA001
Compatibilidad de los casquillos copiadores:	Casquillos copiadores Triton y Porter Cable (adaptador incluido)
Material:	Latón, galvanizado (casquillos copiadores) Acero, galvanizado (placa de guía) Nylon (espaciador)

Diámetro de los casquillos copiadores:

	Diámetro externo	Diámetro interno
A	$\frac{5}{16}$ "	$\frac{1}{4}$ "
B	$\frac{3}{8}$ "	$\frac{9}{32}$ "
C	$\frac{7}{16}$ "	$\frac{11}{32}$ "
D	$\frac{1}{2}$ "	$\frac{13}{32}$ "
E	$\frac{5}{8}$ "	$\frac{17}{32}$ "
F	$\frac{3}{4}$ "	$\frac{5}{8}$ "
G	$\frac{3}{4}$ "	$\frac{21}{32}$ "
H	30 mm	27 mm

Instrucciones de seguridad

ADVERTENCIA: Lea siempre el manual de instrucciones y las advertencias de seguridad.

No seguir estas advertencias e instrucciones puede causar descargas eléctricas, incendios y/o lesiones graves.

ADVERTENCIA: No permita que los niños, personas discapacitadas o personas no cualificadas utilicen esta herramienta. Mantenga esta herramienta fuera del alcance de los niños.

Conserve estas instrucciones de seguridad para futura referencia.

La expresión "herramienta eléctrica" se refiere a su herramienta alimentada por corriente eléctrica (herramienta alámbrica) o una herramienta eléctrica alimentada por baterías (herramienta inalámbrica).

Seguridad en el área de trabajo

- Mantenga el área de trabajo limpia y bien iluminada.** Las áreas de trabajo desordenadas y oscuras son peligrosas y pueden provocar un accidente.
- No utilice herramientas eléctricas en atmósferas explosivas que contengan líquidos, gases o polvos inflamables.** Las herramientas eléctricas producen chispas que pueden incendiar el polvo o los vapores.
- Mantenga alejados a los niños y personas que se encuentren a su alrededor mientras esté trabajando con una herramienta eléctrica.** Las distracciones pueden hacerle perder el control de la herramienta.

Seguridad eléctrica

- El enchufe de la herramienta eléctrica debe coincidir con la toma de corriente. No modifique nunca el enchufe de ninguna manera.**

No utilice ningún adaptador de enchufe sin toma de tierra. Los enchufes si modificar y el uso de tomas de corrientes adecuadas reducirán el riesgo de descargas eléctricas.

- Evite el contacto con materiales conductores tales como tuberías, radiadores, estufas y refrigeradores.** El riesgo de descarga eléctrica se incrementa si su cuerpo está expuesto a materiales conductores.
- No exponga las herramientas eléctricas a la lluvia o la humedad.** El contacto de agua en una herramienta eléctrica aumentará el riesgo de descargas eléctricas.
- No doble el cable de alimentación. No use nunca el cable de alimentación para transportar la herramienta eléctrica, tirar de ella o desenchufarla.** Mantenga el cable de alimentación alejado de fuentes de calor, aceite, bordes afilados o de las piezas móviles. Los cables de alimentación dañados o enredados aumentan el riesgo de descargas eléctricas.
- Use un cable de extensión adecuado para exteriores cuando utilice una herramienta eléctrica en áreas exteriores.** La utilización de un cable adecuado para exteriores reducirá el riesgo de descargas eléctricas.
- Si es inevitable trabajar con una herramienta eléctrica en lugares húmedos, use un suministro protegido por un interruptor diferencial o disyuntor por corriente diferencial o residual (RCD).** El uso de un RCD reduce el riesgo de descargas eléctricas.

ADVERTENCIA: Cuando utilice esta herramienta en Australia o Nueva Zelanda, se recomienda conectar esta herramienta en tomas de corriente protegida con dispositivo de protección de corriente diferencial residual de 30 mA o inferior.

Seguridad personal

- Manténgase alerta, fíjese en lo que está haciendo y use el sentido común cuando esté utilizando una herramienta eléctrica. No use una herramienta eléctrica si se encuentra cansado o bajo la influencia de drogas, alcohol o medicamentos.** Un momento de distracción mientras esté utilizando una herramienta eléctrica puede provocar lesiones corporales graves.
- Utilice siempre equipo de protección personal. Use siempre protección ocular.** El uso de dispositivos de seguridad personal (máscara antipolvo, calzado de seguridad antideslizante, casco resistente y protecciones auditivas adecuadas) reducirá el riesgo de lesiones corporales.
- Evite el arranque accidental. Asegúrese de que el interruptor está en la posición de apagado antes de enchufar la herramienta.** No transporte herramientas con el dedo en el interruptor o con el interruptor encendido, podría ocurrir un accidente.
- Retire todas las llaves de ajuste antes de encender la herramienta eléctrica.** Una llave enganchada en una parte móvil de la herramienta eléctrica puede causar lesiones graves.

- No adopte posturas forzadas. Manténgase en posición firme y en equilibrio en todo momento.** De este modo, podrá controlar mejor la herramienta eléctrica en situaciones inesperadas.
- Vístase adecuadamente. No lleve ropa holgada ni joyas. Mantenga el pelo, la ropa y guantes alejados de las piezas móviles.** La ropa holgada, las joyas o el pelo largo pueden quedar atrapados en las piezas móviles.
- Cuando utilice sistemas de extracción y recolección de polvo, asegúrese de que estén conectados y funcionen correctamente.** El uso de estos dispositivos puede reducir los riesgos producidos por la inhalación de polvo.

Uso y mantenimiento de las herramientas eléctricas

- No fuerce la herramienta eléctrica. Utilice la herramienta eléctrica de forma adecuada.** Utilice su herramienta únicamente para la tarea que haya sido destinada.
- No use la herramienta eléctrica si el interruptor no la enciende o la apaga.** Toda herramienta eléctrica que no se pueda controlar mediante el interruptor es peligrosa y debe ser reparada inmediatamente.
- Desenchufe la herramienta o retire la batería antes de realizar cualquier ajuste, cambiar accesorios o almacenar la herramienta.** Estas medidas de seguridad preventivas evitarán el arranque accidental de su herramienta eléctrica.
- Guarde siempre las herramientas eléctricas fuera del alcance de los niños. No permita que las personas que no estén familiarizadas con estas instrucciones utilicen la herramienta.** Las herramientas eléctricas son peligrosas en manos de personas que no estén capacitadas para su uso.
- Revise regularmente sus herramientas eléctricas. Compruebe que no haya piezas en movimiento mal alineadas o trabadas, piezas rotas o cualquier otro problema que pueda afectar el funcionamiento de la herramienta eléctrica. Si hay alguna pieza dañada, repare la herramienta antes de volver a utilizarla.** Muchos accidentes son causados por herramientas eléctricas que carecen de un mantenimiento adecuado.
- Las herramientas de corte deben estar siempre afiladas y limpias.** Las herramientas de corte correctamente afiladas son menos propensas a trabarse y son más fáciles de controlar.
- Utilice la herramienta eléctrica y los accesorios siguiendo el manual de instrucciones y teniendo en cuenta las condiciones y el trabajo que necesite realizar.** El uso de la herramienta eléctrica con un propósito distinto al cual ha sido diseñada, podría ser peligroso.

Mantenimiento y reparación

- Repare siempre su herramienta eléctrica en un servicio técnico autorizado. Utilice únicamente piezas de recambio idénticas y homologadas.** Esto garantizará un funcionamiento óptimo y seguro de su herramienta eléctrica.

ADVERTENCIA: Antes de conectar esta herramienta a la red eléctrica, asegúrese de que la tensión eléctrica sea la misma que el especificada en la placa de datos indicada en esta herramienta. No conecte esta herramienta a una fuente con una tensión inadecuada, podría dañar gravemente la herramienta y al usuario. Si tiene alguna duda, no enchufe la herramienta. Utilizar una fuente con un voltaje inferior al valor nominal indicado en la placa de datos será perjudicial para el motor.

Características del producto

- Placa de guía
(Compatible con el modelo TRA001)
- Placa de guía
(Compatible con el modelo MOF001 y JOF001)
- Casquillo de centrado
(y adaptador para casquillos Porter Cable)

Aplicaciones

Juego de accesorios y casquillos copiadore para utilizar con las fresadoras Triton. Ideal para fresado de plantillas personalizadas. Incluye casquillos copiadore de varios diámetros, placas de guía y espaciadores para utilizar en mesas de fresado.

Desembalaje

- Desembale e inspeccione la herramienta con cuidado. Familiarícese con todas sus características y funciones.
- Asegúrese de que el embalaje contiene todas las partes y que están en buenas condiciones. Si faltan piezas o están dañadas, sustitúyalas antes de utilizar esta herramienta.

Antes de usar

Nota: Antes de usar los casquillos copiadores (5, A – H) deberá colocar la placa de guía (1 o 2) en la base su fresadora Triton.

Preparación de la placa de guía

1. Seleccione la placa de guía adecuada (1 o 2) según el modelo de fresadora Triton (ver características del producto).
2. Coloque los dos tornillos M4 (4) en los orificios situados en la placa de guía dejando un espacio de 3 mm por debajo de la cabeza del tornillo.
3. Coloque el casquillo de centrado (3), hacia arriba en el centro de la placa de guía y asegúrese que las dos muescas quedan alineadas con las cabezas de los tornillos.
4. Gire el casquillo de centrado hasta que las muescas no se puedan alinear más con las cabezas de los tornillos, luego apriete los tornillos con un destornillador (no incluido) para fijar el casquillo de centrado con la placa de guía.

Montaje de la placa de guía en fresadoras Triton JOF001 y MOF001 (Fig. I)

1. Coloque la fresadora Triton hacia abajo y bájela hasta alcanzar la posición de bloqueo de la pinza de apriete.
2. Retire la fresa previamente instalada.
3. Utilice un destornillador Phillips (no incluido) y afloje los cuatro tornillos que sujetan la placa de base negra de plástico. Retire la placa de base.
4. Coloque la placa de guía (2) dentro de la placa de base negra de plástico (entre la base de la fresadora y la placa de base, ver Fig. A).
5. Coloque la placa de guía (2) sobre la pinza de apriete en la base de la fresadora.

ADVERTENCIA: Asegúrese de que la placa de base esté completamente centrada sobre la base de la fresadora y que los tornillos estén correctamente alineados.

6. Vuelva a apretar los cuatro tornillos Phillips.

ADVERTENCIA: No apriete demasiado, podría deformar la placa de base.

Montaje de la placa de guía en la fresadora Triton TRA001 (Fig. II)

1. Coloque la fresadora Triton hacia abajo y bájela hasta alcanzar la posición de bloqueo de la pinza de apriete.
2. Retire la fresa previamente instalada.
3. Utilice un destornillador Phillips (no incluido) y afloje los cuatro tornillos que sujetan la placa de base de plástico. Retire la placa de base.
4. Coloque la placa de guía (1) sobre la pinza de apriete en la base de la fresadora.

ADVERTENCIA: Asegúrese de que los tornillos de la placa de guía estén correctamente alineados con los orificios de la placa de base.

5. Coloque la placa de base negra de plástico sobre la placa de guía.
6. Vuelva a apretar los cuatro tornillos Phillips.

ADVERTENCIA: No apriete demasiado, podría deformar la placa de base.

Montaje de un casquillo copiador en la placa de guía

1. Coloque la fresa en la pinza de apriete de la fresadora y hágala bajar hasta que la fresa quede oculta.
2. Afloje los dos tornillos M4 (4), retire el casquillo de centrado (3) y reemplácelo por un casquillo copiador (5, A – H). Coloque el casquillo copiador boca arriba, mirando hacia fuera de la fresadora.
3. Gire la fresa con la mano para asegurarse que exista suficiente espacio entre la fresa y el casquillo copiador.

Montaje de un casquillo copiador Porte Cable en la placa de guía

1. Afloje los tornillos M4 (4) y retire el casquillo de centrado (3) de la placa de guía(1 o 2).
2. Coloque el casquillo copiador Porter Cable sobre el casquillo de centrado (1).
3. Monte todo el conjunto en la placa de guía.

Montaje y uso sobre una mesa de fresado (Fig. III)

Nota: El espaciador (6) es necesario cuando se utilice en una mesa de fresado.

1. Retire el aro de inserción en la mesa de la fresadora.
2. Retire los tornillos M4 (4) y alinee el casquillo de centrado (3) con la placa de guía (1 o 2), ahora coloque el espaciador (6). Colóquelo hacia arriba en el centro de la placa de guía.
3. Alinee los orificios de los tornillos, a continuación, coloque los tornillos y el casquillo de guía requerido (5, A – H).

Desmontaje de la placa de guía

- Aun cuando no utilice los casquillos copiadores, la placa de guía (1 o 2) puede permanecer instalada en la fresadora y puede usarse para la mayoría de los cortes, ya sea uso manual o en una mesa de fresado.
- De todas formas, deberá retirar la placa de guía (1 o 2) cuando utilice una fresa con diámetro mayor a 50 mm (2").
- Para retirar la placa de guía, siga los pasos anteriores pero a la inversa.

Mantenimiento

ADVERTENCIA: Desconecte siempre la herramienta de la red eléctrica antes de realizar cualquier tarea de mantenimiento o limpieza.

- Compruebe regularmente que todos los tornillos y elementos de fijación estén bien apretados. Con el paso del tiempo pueden vibrar y aflojarse.
- Compruebe regularmente que los tornillos M4 (4) estén bien apretados.
- Desmonte los tornillos M4 y el casquillo de centrado (3) cuando no vaya a usar los casquillos copiadores.

LIMPIEZA

- Mantenga la herramienta siempre limpia. Limpie siempre el polvo y las partículas y nunca deje que los orificios de ventilación se bloqueen. Utilice un cepillo suave o un paño seco para limpiar la herramienta. Si dispone de un compresor de aire comprimido, sople con aire seco y limpio para limpiar los orificios de ventilación.

Almacenaje

- Guarde esta herramienta y accesorios en un lugar seco y seguro fuera del alcance de los niños.

Garantía

Para registrar su garantía, visite nuestra página Web en www.tritontools.com* e introduzca sus datos personales.

Estos datos serán incluidos en nuestra lista de direcciones (salvo indicación contraria) de manera que pueda recibir información sobre nuestras novedades. Sus datos no serán cedidos a terceros.

Recordatorio de compra

Fecha de compra: ___ / ___ / ____

Modelo: TGA250 Conserve su recibo como prueba de compra.

Las herramientas Triton disponen de un período de garantía de 3 años una vez haya registrado el producto en un plazo de 30 días contados a partir de la fecha de compra. Si durante ese período apareciera algún defecto en el producto debido a la fabricación o materiales defectuosos, Triton se hará cargo de la reparación o sustitución del producto adquirido. Esta garantía no se aplica al uso comercial por desgaste de uso normal, daños accidentales o por mal uso de esta herramienta.

* Registre el producto online en un plazo de 30 días contados a partir de la fecha de compra.

Se aplican los términos y condiciones.

Esto no afecta a sus derechos legales.

Tradução das instruções originais

Introdução

Obrigado por comprar esta ferramenta Triton. Este manual contém as informações necessárias para a operação segura e eficiente deste produto. Este produto apresenta recursos exclusivos, e mesmo que você esteja familiarizado com produtos similares, é necessário ler o manual cuidadosamente para garantir que as instruções sejam totalmente entendidas. Assegure-se de que todos os usuários desta ferramenta leiam e compreendam totalmente o manual.

Descrição dos símbolos



Use proteção auricular
Use proteção ocular
Use proteção respiratória
Use proteção de cabeça



Leia o manual de instruções



Cuidado!

Especificação

Tupias compatíveis:	Tupias de precisão da Triton: JOF001, MOF001, TRA001
Escovas de guia compatíveis	todas as escovas de guia da Triton e escovas de guia porta cabos (adaptador incluído)
Materiais:	bronze, cromado (buchas da guia) aço, cromado (discos da guia) náilon (espaçador de mesa)

Diâmetros de bucha de guia incluídos:

	Diâmetro externo	Diâmetro interno
A	$\frac{5}{16}$ "	$\frac{1}{4}$ "
B	$\frac{3}{8}$ "	$\frac{9}{32}$ "
C	$\frac{7}{16}$ "	$\frac{11}{32}$ "
D	$\frac{1}{2}$ "	$\frac{13}{32}$ "
E	$\frac{5}{8}$ "	$\frac{17}{32}$ "
F	$\frac{51}{64}$ "	$\frac{5}{8}$ "
G	$\frac{3}{4}$ "	$\frac{21}{32}$ "
H	30mm	27mm

Segurança geral

AVISO Leia todos os avisos de segurança e todas as instruções. O descumprimento dos avisos e instruções pode resultar em choque elétrico, incêndio e/ou ferimentos graves.

AVISO: Este equipamento não foi projetado para ser usado por pessoas (inclusive crianças) com capacidade física ou mental reduzida ou com falta de experiência ou conhecimento, exceto se estiverem sob supervisão ou houverem recebido instruções relativas ao uso do equipamento pela pessoa responsável por sua segurança. As crianças devem ser supervisionadas para garantir que não brinquem com o equipamento.

Guarde todos os avisos e instruções para consulta futura.

O termo "ferramenta elétrica", nos avisos, se refere a uma ferramenta elétrica que usa alimentação da rede (com cabo elétrico) ou uma bateria (sem cabo elétrico).

Segurança na área de trabalho

- Mantenha a área de trabalho limpa e bem iluminada. Áreas desorganizadas ou escuras facilitam os acidentes.
- Não opere ferramentas elétricas em atmosferas explosivas, como na presença de líquidos, gases ou pós inflamáveis. Ferramentas elétricas produzem faíscas que podem inflamar a serragem ou os gases.
- Mantenha as crianças e observadores à distância, quando operar ferramentas elétricas. Distrações podem fazer você perder o controle.

Segurança elétrica

- O plugue de tomada da ferramenta deve ser compatível com a tomada de parede. Nunca modifique um conector, de maneira alguma. Nunca use conectores adaptadores em ferramentas elétricas com fio terra (aterradas). Conectores sem modificações e tomadas corretas reduzem o risco de choques elétricos.
- Evite o contato de seu corpo com superfícies aterradas, como tubos, radiadores, extensões e refrigeradores. Existe um risco maior de choque elétrico se o seu corpo estiver aterrado.
- Não deixe as ferramentas elétricas expostas a chuva ou condições úmidas. A água que entra em uma ferramenta elétrica, aumenta o risco de choque elétrico.
- Não abuse do cabo elétrico. Nunca use o cabo para carregar, puxar ou desconectar a ferramenta elétrica. Mantenha o cabo longe de calor, óleo, bordas afiadas ou peças móveis. Cabos danificados ou emaranhados aumentam o risco de choque elétrico.
- Quando operar uma ferramenta elétrica ao ar livre, use um cabo de extensão adequado para uso externo. A utilização de um cabo adequado para uso externo reduz o risco de choque elétrico.
- Se o uso da ferramenta elétrica em local úmido for inevitável, use uma fonte de alimentação protegida com Dispositivo de Corrente Residual (DR). O uso de um DR reduz o risco de choque elétrico.

AVISO: Quando usada na Austrália ou Nova Zelândia, recomenda-se que esta ferramenta seja SEMPRE alimentada através de um Dispositivo de Corrente Residual (DR), com corrente residual nominal de 30mA ou menos.

Segurança pessoal

- Mantenha-se alerta, preste atenção no que faz e use de bom senso enquanto opera uma ferramenta elétrica. Não use ferramentas elétricas quando estiver cansado ou sob influência de drogas, álcool ou medicamentos. Um momento de desatenção, quando se opera uma ferramenta elétrica, pode resultar em ferimentos pessoais graves.
- Use equipamentos de proteção individual. Use sempre proteção ocular. Equipamentos de proteção como máscara respiratória, calçados de proteção antiderrapantes, capacete ou protetores auditivos, usados de acordo com as condições apropriadas, reduzem a ocorrência de ferimentos.
- Evite partidas não intencionais. Certifique-se de que o interruptor esteja na posição desligada, antes de conectar a ferramenta à fonte de alimentação e/ou bateria, quando estiver pegando-a, ou quando estiver transportando-a. Transportar ferramentas elétricas com seu dedo no interruptor ou energizar ferramentas elétricas com o interruptor na posição ligada, propicia acidentes.

- Remova todas as chaves ou ferramentas de trabalho, antes de ligar a ferramenta elétrica. Uma chave deixada em uma peça rotativa da ferramenta elétrica poderá resultar em ferimentos.
- Não se estique demais. Mantenha sempre o equilíbrio, e os pés em local firme. Isto permite um melhor controle da ferramenta em situações inesperadas.
- Vista-se apropriadamente. Não use joias, nem roupas largas. Mantenha cabelos, roupas e luvas longe das peças móveis. Roupas largas, joias e cabelos longos podem ficar presos nas peças móveis.
- Se for utilizar dispositivos para a aspiração e coleta de pó, assegure-se de que estejam conectados e sejam usados corretamente. O uso da coleta de pó pode reduzir os riscos associados ao excesso de pó.

Uso e cuidados com a ferramenta elétrica

- Não force a ferramenta elétrica. Use a ferramenta correta para sua aplicação. A ferramenta correta fará o trabalho melhor e com mais segurança, com a produtividade para a qual foi projetada.
- Não use a ferramenta elétrica se o interruptor liga/desliga não estiver funcionando. Qualquer ferramenta que não puder ser controlada com o interruptor liga/desliga é perigosa e deve ser consertada.
- Desconecte o conector de tomada da rede elétrica e/ou a bateria da ferramenta, antes de realizar quaisquer ajustes, trocar acessórios ou de guardá-la. Estas medidas de segurança preventivas reduzem o risco de se ligar a ferramenta por acidente.
- Guarde a ferramenta elétrica fora do alcance de crianças, quando não estiver em uso, e não permita que pessoas não familiarizadas com a ferramenta, e com estas instruções, a operem. Ferramentas elétricas são perigosas nas mãos de pessoas não treinadas.
- Conserve as ferramentas elétricas. Verifique o alinhamento ou emperramento das peças móveis, se existem peças quebradas ou outra condição que possa afetar a operação da ferramenta. Se a ferramenta estiver danificada, providencie o conserto, antes de usá-la. Muitos acidentes são causados por ferramentas mal conservadas.
- Mantenha as ferramentas de corte limpas e afiadas. Ferramentas de corte com bordas afiadas, quando mantidas corretamente, são menos propensas a emperramentos e mais fáceis de controlar.
- Use a ferramenta elétrica, seus acessórios e outros elementos de acordo com estas instruções, considerando as condições de trabalho e o serviço a ser executado. O uso da ferramenta para operações diferentes daquelas para as quais foi projetada pode resultar em uma situação de risco.

Serviço

- Entregue sua ferramenta para reparos a pessoal técnico qualificado, que use apenas peças de reposição originais. Isto garantirá que a ferramenta continuará oferecendo segurança.

AVISO: Antes de conectar a ferramenta a uma fonte de energia (conector do interruptor de energia da rede, tomada de parede, etc.), certifique-se de que a voltagem de alimentação tem o mesmo valor que o especificado na etiqueta de identificação da ferramenta. Uma fonte de energia com uma voltagem acima da especificada para a ferramenta poderá resultar em ferimentos graves e danificar a ferramenta. Se estiver em dúvida, não conecte a ferramenta. Usar uma fonte de energia com voltagem abaixo da voltagem nominal, especificada na placa de identificação, poderá ser prejudicial para o motor.

Familiarização com o produto

- Disco guia (para uso com o modelo de tupa TRA001 da Triton)
- Disco guia (para uso com os modelos de tupa MOF001 e J0F001 da Triton)
- Bucha de alinhamento (e adaptador da bucha da guia porta cabo)
- Parafusos M4
- Buchas da guia
- Espaçador de mesa

Uso pretendido

Kit de acessórios para o encaixe de buchas de guia em tupidas da Triton, para roteamento por modelos e uso de bancadas personalizadas, incluindo buchas de diâmetros diferentes, discos guia e espaçadores para a operação de mesas de tupa.

Desembalagem de seu produto

- Desembale e inspecione cuidadosamente seu produto. Familiarize-se com todos os seus recursos e funções.
- Certifique-se de que todas as peças do produto estão presentes e em bom estado. Caso estejam faltando peças ou existam peças danificadas, substitua-as primeiro, antes de tentar usar a ferramenta.

Antes do uso

Nota: Para uso das buchas guia (5, A – H) no roteamento por modelos, você deve primeiro encaixar o disco guia (1 ou 2) à base de sua tupa Triton.

Preparação do disco guia

1. Escolha o disco guia correto (1 ou 2) que se ajuste em seu modelo de tupa Triton (veja 'Familiarização com o produto').
2. Encaixe os dois parafusos M4 (4) ligeiramente soltos, nos furos que ficam no lado rebaixado do disco guia, deixando um espaço de 3mm sob a cabeça de cada parafuso.
3. Assente a bucha de alinhamento (3), com o lado rebaixado virado para cima, no centro do disco guia com duas fendas alinhadas com as cabeças dos parafusos.
4. Gire a bucha de alinhamento até que as fendas não fiquem mais alinhadas com as cabeças dos parafusos, e aperte os parafusos usando uma chave de fenda adequada (não incluída), para prender a bucha de alinhamento ao disco guia.

Instalação do disco guia nas tupidas JOF001 e MOF001 da Triton (I)

1. Gire a tupa Triton de cabeça para baixo e ajuste-a na posição de bloqueio do engaste.
2. Remova a broca da tupa, se instalada.
3. Com uma chave de fenda adequada (não incluída), solte os quatro parafusos Phillips, que prendem a base plástica preta. Remova a base.
4. Encaixe o disco guia (2) no rebaixo exclusivo, na superfície interna da base plástica (por ex. entre a base da tupa e a placa de base, veja I).
5. Posicione o disco guia (2) sobre o engaste da tupa, em cima da base da tupa.

AVISO: Assegure-se de que a placa base está centralizada na base da tupa, e de que todos os quatro furos dos parafusos estão alinhados corretamente.

6. Reinstale todos os quatro parafusos Phillips, e aperte-os firmemente.

AVISO: NÃO APERTE DEMAIS, pois isto poderá deformar a placa base.

Instalação do disco guia na tupa TRA001 da Triton (II)

1. Gire a tupa Triton de cabeça para baixo e encaixe-a na posição de bloqueio do engaste.
2. Remova a broca da tupa, se instalada.
3. Com uma chave de fenda adequada (não incluída), solte os quatro parafusos Phillips, que prendem a base plástica preta. Remova a base.
4. Posicione o disco guia (1) sobre o engaste da tupa, em cima da base da tupa.

AVISO: Assegure-se de que todos os furos do disco guia ficam alinhados com os furos correspondentes da base da tupa.

5. Aperte a placa base plástica preta em cima do disco guia.
6. Reinstale todos os quatro parafusos Phillips, e aperte-os firmemente.

AVISO: NÃO APERTE DEMAIS, pois isto poderá deformar a placa base.

Instalação de uma bucha guia no disco guia

1. Instale uma ferramenta de corte no engaste da tupa e ajuste a profundidade de corte até que a ferramenta de corte fique escondida.
2. Solte os dois parafusos M4 (4), remova a bucha de alinhamento (3) e instale em seu lugar a bucha guia (5, A – H) requerida. Instale a bucha da guia com o lado colorido para cima, apontando para fora do corpo da tupa.
3. Gire a ferramenta de corte com a mão, para garantir que existe uma folga total entre a ferramenta e a bucha guia.

Instalação de buchas guia porta cabo no disco guia

1. Solte os parafusos M4 (4) e remova a bucha de alinhamento (3) do disco guia (1 ou 2)
2. Instale a bucha guia porta cabo no lado rebaixado da bucha de alinhamento.
3. Instale este conjunto sobre o disco guia.

Uso com instalação em mesa (III)

Nota: O espaçador de mesa (6) é necessário quando se usa roteamento por modelo em uma mesa de tupa.

1. Remova o anel de inserção de sua mesa de tupa.
2. Remova os parafusos M4 (4) e a bucha de alinhamento (3) do disco guia (1 ou 2), e assente o espaçador de mesa (6) no centro do disco guia, com o lado rebaixado para cima.
3. Alinhe os furos dos parafusos e encaixe os parafusos e a bucha guia necessária (5, A – H).

Remoção do disco guia

- Mesmo quando não se usam as guias modelo, o disco guia (1 ou 2) pode permanecer instalado na tupa, na maioria dos cortes, quer usando uma tupa de mão ou a tupa de mesa.
- Contudo, caso a ferramenta de corte usada tenha um diâmetro maior do que 50mm (2"), o disco guia (1 ou 2) precisará ser removido.
- Para remover o disco guia, siga as instruções de instalação acima, na ordem inversa.

Manutenção

AVISO: Desconecte sempre a ferramenta da alimentação elétrica, antes de realizar qualquer manutenção/limpeza.

- Verifique regularmente se todos os parafusos de montagem estão apertados. Eles podem se soltar com o tempo, devido à vibração.
- Verifique regularmente se os parafusos M4 (4) estão apertados firmemente.
- Quando não estiver usando uma bucha de guia, considere remover os parafusos M4 e a bucha de alinhamento (3), para assegurar um armazenamento seguro.

Limpeza

- Mantenha sua ferramenta limpa o tempo todo. A sujeira e o pó produzem desgaste acelerado das peças internas e encurtam a vida útil da ferramenta. Limpe o corpo de sua ferramenta com uma escova macia ou pano seco. Se houver ar comprimido disponível, use-o para soprar a sujeira nos orifícios de ventilação (onde aplicável).

Armazenamento

- Guarde esta ferramenta com cuidado, em um lugar seguro e seco, fora do alcance de crianças.

Garantia

Para registrar sua garantia, visite nosso site em www.tritontools.com* e cadastre suas informações.

Seus dados serão incluídos em nossa lista de endereços (a menos que indicado de outro modo) para que você receba informações sobre lançamentos futuros. Os dados que nos fornecer não serão repassadas a terceiros.

Registro de compra

Data de compra: ___/___/___

Modelo: TGA250 Retenha sua nota fiscal como comprovante de compra.

A Triton Precision Power Tools garante ao comprador deste produto que se qualquer peça estiver comprovadamente defeituosa devido a falhas de material ou mão de obra durante os próximos 3 anos a partir da data da compra original, Triton irá reparar ou, a seu critério, substituir a peça defeituosa sem custo.

Esta garantia não se aplica ao uso comercial nem se estende ao desgaste normal ou a danos decorrentes de acidente, abuso ou uso indevido.

* Registre-se online dentro de 30 dias após a compra.

Termos e condições aplicáveis.

Isto não afeta seus direitos legais.

Tłumaczenie oryginalnej instrukcji

Wprowadzenie

Dziękujemy za zakup narzędzia marki Triton. Zalecamy zapoznać się z niniejszymi instrukcjami: zawierają one informacje niezbędne dla bezpiecznej i wydajnej obsługi produktu. Produkt posiada szereg unikalnych funkcji, dlatego też, nawet, jeśli jesteś zaznajomiony z podobnymi produktami, przeczytanie instrukcji obsługi umożliwi Ci pełne wykorzystanie tego wyjątkowego projektu. Przechowuj niniejsze instrukcje w zasięgu ręki i upewnij się, że użytkownicy narzędzia przeczytali i w pełni zrozumieli wszystkie zalecenia.

Opis symboli



Należy nosić środki ochrony słuchu
Należy nosić okulary ochronne
Należy nosić środki ochrony dróg oddechowych
Należy używać kasku ochronnego



Należy w całości przeczytać instrukcję obsługi



Uwaga!

Dane techniczne

Kompatybilne frezarki:	Triton Precyzyjne frezarki górnoprzecionowe JOF001, MOF001, TRA001
Kompatybilne pierścienie kopiujące:	wszystkie pierścienie kopiujące oraz Cable pierścienie kopiujące (w tym adapter)
Tworzywo:	mosiądz, chromowane (pierścienie kopiujące) stal, chromowane (podkładka bazowa) nylonowe (przekładki)

Rozmiary pierścieni kopiujących:

	Zewnętrzne wymiary	Wewnętrzne wymiary
A	$\frac{5}{16}$ "	$\frac{1}{4}$ "
B	$\frac{3}{8}$ "	$\frac{9}{32}$ "
C	$\frac{7}{16}$ "	$\frac{11}{32}$ "
D	$\frac{1}{2}$ "	$\frac{13}{32}$ "
E	$\frac{5}{8}$ "	$\frac{17}{32}$ "
F	$\frac{51}{64}$ "	$\frac{3}{8}$ "
G	$\frac{3}{4}$ "	$\frac{21}{32}$ "
H	30mm	27mm

Ogólne instrukcje dotyczące bezpieczeństwa

OSTRZEŻENIE Przeczytaj wszystkie ostrzeżenia i instrukcje bezpieczeństwa. *Nieprzestrzeżenie ostrzeżeń i instrukcji może prowadzić do porażenia prądem, pożaru i / lub poważnych obrażeń.*

OSTRZEŻENIE: Urządzenie nie jest przeznaczone do użytkowania przez osoby (w tym dzieci) o ograniczonej sprawności fizycznej lub umysłowej, lub o braku doświadczenia i wiedzy, chyba, że będą one nadzorowane lub zostaną poinstruowane na temat korzystania z urządzenia przez osobę odpowiedzialną za ich bezpieczeństwo. Należy pilnować, aby dzieci nie wykorzystywały urządzenia, jako zabawki.

Zachowaj wszystkie ostrzeżenia i instrukcje na przyszłość.

Termin „elektronarzędzie” odnosi się do urządzenia zasilanego siecią (przewodowego) lub urządzenia zasilanego za pomocą baterii (bezwodowodowego).

1) Bezpieczeństwo obszaru pracy

- a) Zadbaj o prawidłową higienę i prawidłowe oświetlenie obszaru pracy. *Zanieczyszczenie lub brak wystarczającego oświetlenia obszaru pracy mogą doprowadzić do wypadków.*
- b) Nie należy używać elektronarzędzi w przestrzeniach zagrożonych wybuchem, np. w obecności łatwopalnych cieczy, gazów lub pyłów. *Urządzenia elektryczne wytwarzają iskry, które mogą podpałić pył lub opary.*
- c) Nie dopuszczaj dzieci ani innych osób do obszaru pracy elektronarzędzi. *Nieuwaga może spowodować utratę kontroli.*

2) Bezpieczeństwo elektryczne

- a) Wtyczka elektronarzędzia musi pasować do gniazda zasilania. Nie wolno modyfikować wtyczki w żaden sposób. W przypadku elektronarzędzi z uzziemieniem nie należy stosować przejściówek. *Oryginalne wtyczki i pasujące gniazda zmniejszają ryzyko porażenia prądem.*
- b) Unikaj dotyku naziemionych powierzchni, takich jak rury, grzejniki, piece i lodówki. Uziemienie ciała powoduje zwiększenie ryzyka porażenia prądem.
- c) Nie wystawiaj elektronarzędzi na działanie deszczu lub wilgoci. Przedostanie się wody do urządzenia zwiększa ryzyko porażenia prądem.
- d) Nie należy nadwyręzać kabla. Nigdy nie używaj go do przenoszenia, przeciągania lub odłączania elektronarzędzia. Trzymaj przewód z dala od źródeł ciepła, oleju, ostrych krawędzi lub ruchomych części urządzenia. *Uszkodzone lub poplątane kable zwiększają ryzyko porażenia prądem.*
- e) W przypadku korzystania z urządzenia na wolnym powietrzu używaj przedłużacza przystosowanego do używania na zewnątrz. *Korzystanie z przedłużacza przystosowanego do używania na zewnątrz zmniejsza ryzyko porażenia prądem.*
- f) W przypadku korzystania z elektronarzędzia w miejscu o dużym natężeniu wilgoci należy używać gniazda zasilania wyposażonego w wyłącznik różnicowoprądowy (RCD). *Korzystanie z wyłącznika różnicowoprądowego zmniejsza ryzyko porażenia prądem.*

UWAGA: Termin „wyłącznik różnicowoprądowy” (RCD) może zostać zastąpiony terminem „ziemnozwarciowy przerywacz obwodu” (GFCI) lub „przełącznik ziemnozwarciowy” (ELCB).

3) Bezpieczeństwo osobiste

- a) Podczas korzystania z elektronarzędzi bądź czujny, uważaj, co robisz i zachowaj zdrowy rozsądek. Nie używaj ich gdy jesteś zmęczony albo pod wpływem narkotyków, alkoholu lub leków. *Chwila nieuwagi podczas obsługi urządzenia może spowodować poważne obrażenia ciała.*

- b) Korzystaj ze środków ochrony osobistej. Zawsze stosuj środki ochrony oczu. Wyposażenie ochronne, takie jak maska przeciwpyłowa, obuwie robocze antypoślizgowe na szorstkiej podszewie, kask ochronny lub nauszniaki ochronne używane w odpowiednich warunkach, zmniejsza ryzyko obrażeń.

- c) Zapobiegaj przypadkowemu włączeniu urządzenia. Przed podłączeniem do źródła zasilania i / lub akumulatora, podnoszeniem lub przenoszeniem narzędzia, upewnij się, że przełącznik zasilania znajduje się w pozycji wyłączonej. *Przenoszenie urządzenia z palcem umieszczonym na wyłączniku zasilania lub podłączanie elektronarzędzi przy włączonym przełączniku zasilania stwarza ryzyko wypadku.*
- d) Przed włączeniem elektronarzędzia usuń z niego wszelkie klucze regulacyjne. *Narzędzie lub klucz pozostawiony w obracającej się części elektronarzędzia może spowodować obrażenia ciała.*

- e) Nie wychylaj się. W każdej chwili zachowaj odpowiednią pozycję i równowagę. *Umożliwia to lepszą kontrolę nad elektronarzędziem w nieoczekiwanych sytuacjach.*

- f) Noś odpowiednią odzież. Nie zakładaj do pracy z elektronarzędziem luźnej odzieży ani biżuterii. Trzymaj włosy, odzież i rękawice z dala od ruchomych części urządzenia. *Luźne ubranie, biżuteria lub długie włosy mogą zostać wciągnięte przez ruchome części urządzenia.*

- g) Jeśli do zestawu załączone są urządzenia do podłączenia mechanizmów odsysania i zbierania pyłu, sprawdź czy są one przyłączone i prawidłowo zamocowane. *Korzystanie z urządzenia odsysającego pył może zmniejszyć zagrożenie pyłami.*

4) Użytkowanie i pielęgnacja elektronarzędzi.

- a) Nie należy przeciążać urządzenia. Używaj narzędzi odpowiednich do danego zastosowania. *Prawidłowe narzędzie wykona zadanie lepiej i bezpieczniej w podanym zakresie sprawności.*
- b) Nie należy używać urządzenia, jeśli nie można go włączyć lub wyłączyć za pomocą odpowiedniego przełącznika. *Urządzenia, które nie mogą być kontrolowane za pomocą przełącznika są niebezpieczne i muszą zostać oddane do naprawy.*
- c) Przed dokonaniem regulacji, wymiany akcesoriów lub przechowywaniem elektronarzędzia odłącz wtyczkę od źródła zasilania i / lub akumulator od urządzenia. *Te prewencyjne środki bezpieczeństwa zmniejszają ryzyko przypadkowego uruchomienia elektronarzędzia.*
- d) Nieużywane elektronarzędzie przechowuj w miejscu niedostępnym dla dzieci i nie dopuszczaj do nich osób nie znających elektronarzędzi lub ich instrukcji obsługi. *Elektronarzędzia stanowią niebezpieczeństwo w rękach niedoświadczonych użytkowników.*
- e) Przeprowadzaj konserwacje elektronarzędzi. Sprawdź urządzenie pod kątem nieprawidłowego ustawienia lub zablokowania elementów ruchomych, pęknięć części lub innych usterek, które mogą mieć negatywny wpływ na funkcjonowanie urządzenia. *W przypadku usterek należy naprawić urządzenie przed ponownym użyciem. Niewłaściwa konserwacja elektronarzędzi jest przyczyną wielu wypadków.*
- f) Utrzymuj narzędzia tnące w czystości i dobrze naostrzone. *Zadbane narzędzia tnące z ostrymi krawędziami tnącymi rzadziej się zacinają i łatwiej nimi sterować.*
- g) Używaj elektronarzędzia, akcesoria, końcówki itp. zgodnie z tymi instrukcjami, biorąc pod uwagę warunki pracy i realizowane zadania. *Używanie narzędzi do wykonywania prac niezgodnych z ich przeznaczeniem może doprowadzić do niebezpiecznych sytuacji.*

5) Serwis

- a) Urządzenie powinno być serwisowane przez wykwalifikowany personel naprawczy przy użyciu wyłącznie oryginalnych części zamiennych. *Zagwarantuje to bezpieczeństwo elektronarzędzia.*

OSTRZEŻENIE. Przed podłączeniem narzędzia do źródła zasilania (gniazda zasilania wyłącznika sieciowego, sieci itp.) należy upewnić się, że napięcie zasilania jest takie samo, jak podano na tabliczce znamionowej urządzenia. Źródło zasilania o napięciu większym niż napięcie określone dla narzędzia może spowodować poważne obrażenia użytkownika oraz uszkodzenie narzędzia. W przypadku wątpliwości nie podłączaj urządzenia do danego źródła zasilania. Korzystanie ze źródła zasilania o napięciu mniejszym niż napięcie określone na tabliczce znamionowej jest szkodliwe dla silnika.

Przedstawienie produktu

1. Płyta prowadząca
(pasuje do frezarki Triton model TRA001)
2. Płyta prowadząca
(pasuje do frezarek Triton, modele: MOF001 i JOF001)
3. Pierścieni centrujący
(oraz Porter Cable adapter pierścieni kopiujących)
4. M4 Wkręty
5. Pierścienie kopiujące
6. Przekładki

Zastosowanie zgodne z przeznaczeniem

Zestaw akcesoriów do montażu pierścieni kopiujących na frezarkach Triton, przeznaczonych do frezowania przy użyciu szablonów, w komplecie z pierścieniami kopiującymi, płytą prowadzącą oraz przekładką.

Rozpakowanie narzędzia

- Ostrożnie rozpakuj i sprawdź narzędzie. Zapoznaj się ze wszystkimi mechanizmami i funkcjami.
- Upewnij się, że narzędzie zawiera wszystkie części i są one w dobrym stanie. Jeśli brakuje pewnych części lub są one uszkodzone, należy uzupełnić lub wymienić je przed rozpoczęciem korzystania z narzędzia.

Przygotowanie do eksploatacji

Uwaga: W celu użycia pierścieni kopiujących (5, A – H) do frezowania przy użyciu szablonów, należy najpierw nałożyć podkładkę bazową (1 lub 2) na podstawie frezarki Triton.

Przygotowanie płyty prowadzącej

1. Należy wybrać odpowiednią płytę montażową (1 bądź 2), która będzie pasowała do Twojego modelu frezarki Triton (Przedstawienie produktu)
2. Luźno przykręć dwa wkręty M4 (4) w otwory po wklęsłej stronie płyty, pozostawiając 3 mm odstępu pomiędzy każdą śrubką
3. Umieść pierścieni centrujący (3), wpuszczoną stroną do góry, w centrum płyty montażowej z dwoma wycięciami dostosowanymi do łbów śrub
4. Obróć pierścieni centrujący, aż wycięcia nie będą na równi z głowicami śrub, po czym należy dokręcić wkręty za pomocą odpowiedniego wkrętaka (brak w komplecie) do ostatecznego przymocowania pierścienia centrującego do płyty montażowej.

Mocowanie płyty montażowej do frezarek Triton: JOF001 oraz MOF001 (I)

1. Obróć frezarkę do góry nogami i zanurz do pozycji zablokowania tulei
2. Zdejmij gumowe elementy, jeśli zostały zamontowane
3. Przy pomocy odpowiedniego wkrętaka (brak w zestawie), należy wykręcić 4 śrubki Phillips, które utrzymują czarną plastikową płytę podstawy. Po czym zdejmij płytę.
4. Przymocuj płytę prowadzącą (2) na specjalnej wnęcie na wewnętrznej powierzchni plastikowej płytki bazowej (patrz Rys. A)
5. Ustaw płytę prowadzącą (2) nad tuleją frezarki na jej podstawie

OSTRZEŻENIE: Upewnij się, że plastikowa płyta bazowa jest ustawiona po środku podstawy frezarki, a 4 otwory na wkręty są odpowiednio ustawione.

6. Przykręć solidnie z powrotem cztery wkręty.

OSTRZEŻENIE: Należy uważać, aby NIE przykręcić śrubek za nado, gdyż może to spowodować zniekształcenie płyty podstawy.

Mocowanie płyty prowadzącej do frezarki Triton TRA001 (II)

1. Obróć frezarkę do góry nogami i zanurz do pozycji zablokowania tulei.
2. Zdejmij frez, jeśli jest zamocowany.
3. Przy pomocy odpowiedniego wkrętaka (brak w zestawie), należy odkręcić 4 śrubki Phillips, które utrzymują czarną plastikową płytę podstawy. Po czym zdejmij płytę.
4. Ustaw płytę prowadzącą (1) nad tuleją frezarki na jej podstawie

OSTRZEŻENIE: Upewnij się, że wszystkie otwory w płycie prowadzącej są ustawione w odpowiedniej linii na równi z otworami w płycie frezarki.

5. Umieść czarną plastikową płytę podstawy na górze płyty prowadzącej.

6. Przykręć z powrotem cztery śrubki Phillips i dokręć delikatnie

OSTRZEŻENIE: Należy uważać, aby NIE przykręcić śrubek za nado, gdyż może to spowodować zniekształcenie płyty podstawy.

Mocowanie pierścienia kopiującego na płycie prowadzącej

1. Załóż frez na tuleję frezarki i ustaw zanurzenie aż frez zostanie ukryty
2. Wykręć dwa wkręty M4 (4), a następnie zdejmij pierścieni centrujący (3) a na jego miejsce umieść pierścieni kopiujący (5, A – H) o kształcie zależnym od potrzeby. Kołnierz pierścienia kopiującego powinien być skierowany ku górze od strony obudowy frezarki.
3. Obróć frez ręką, aby się upewnić o wystarczającej ilości miejsca pomiędzy frezem, a pierścieniem kopiującym.

Mocowanie adaptera pierścieni kopiujących na płycie prowadzącej

1. Wykręć śrubki M4 (4), a następnie zdejmij pierścieni centrujący (3) z płyty prowadzącej (1 bądź 2).
2. Umieść adapter pierścieni kopiujących na zagłębionej części pierścienia centrującego .
3. Zamontuj elementy na płycie prowadzącej.

Montaż przy frezarce zainstalowanej na stole roboczym (III)

Uwaga: Przekładki (6) są konieczne podczas montowania zestawu na frezarce zamocowanej do stołu roboczego.

1. Zdejmij wewnętrzny pierścień z panelu do stołu frezarki górnowrzecionowej
2. Wykręć śrubki M4 (4) oraz pierścien centrujących (3) z płyty prowadzącej (1 or 2), i umieść przekładkę (6), w zagłębione miejsce górą do przodu, w środku płyty prowadzącej.
3. Dopasuj otwory na śrubki, a następnie zamontuj wkręty oraz odpowiedni pierścień kopiujący (5, A – H)

Zdejmowanie płyty prowadzącej

- Nawet, jeśli nie wykonujemy cięć przy pomocy szablonu, płyta prowadząca może pozostać zamontowana na frezarce (1 bądź 2) do wykonywania większości cięć, bądź podczas korzystania z frezarki z wolnej ręki oraz przymocowanej do stołu roboczego
- Jednakże przy użyciu frezów o średnicy większej niż 50 mm (2") płyta prowadząca (1 bądź 2) musi zostać zdjęta
- Aby zdjąć płytę prowadzącą, należy postępować zgodnie z instrukcjami jej montażu, tylko w odwrotnej kolejności

Konserwacja

OSTRZEŻENIE: Zawsze należy odłączyć urządzenie od zasilania przed przeprowadzeniem jakichkolwiek konserwacji bądź czyszczeniem.

- Zaleca się regularne sprawdzenie mocowania śrubek i wkrętów. Mogą zostać z czasem poluzowane
- Regularnie należy sprawdzić, czy śrubki M4(4) są wystarczająco i prawidłowo dokręcone
- Jeśli pierścienie kopiujące nie są w użytku, należy rozważyć wykręcenie śrubek M4 oraz pierścienia centrującego (3) w celu bezpiecznego przechowania

Czyszczenie

- Należy zawsze dbać o czystość urządzenia. Brud i kurz powodują szybsze zużycie elementów wewnętrznych narzędzia i skracają okres eksploatacji urządzenia. Należy czyścić korpus narzędzia miękką szcztotką lub suchą ścierką. Jeśli to możliwe, przedmuchać otwory wentylacyjne czystym powietrzem sprężonym.

Przechowywanie

Należy przechowywać narzędzie w bezpiecznym, suchym miejscu niedostępnym dla dzieci.

Gwarancja

W celu rejestracji gwarancji odwiedź naszą stronę internetową www.tritontools.com* i podaj odpowiednią dane. Dane zostaną dodane do naszej listy wysyłkowej (chyba, że wskazano inaczej) w celu przesyłania informacji dotyczących przyszłych produktów. Dostarczone danie nie zostaną udostępnione osobom trzecim.

Protokół zakupu

Data zakupu: ___ / ___ / ___

Model: TGA250 Należy zachować paragon jako dowód zakupu

Precyzyjne Elektronarzędzia Triton gwarantują nabywcy tego produktu pewność, iż w razie usterki bądź uszkodzenia z powodu wad materiałowych lub jakości wykonania, w ciągu 3 lat od daty zakupu, firma Triton naprawi bądź według własnego uznania bezpłatnie wymieni uszkodzoną część.

Powyższa gwarancja nie pokrywa szkód spowodowanych naturalnym zużyciem, nieprawidłowym użytkowaniem, nieprzestrzeganiem zaleceń obsługi, wypadkami lub wykorzystaniem urządzenia do celów komercyjnych.

* Zarejestruj swój produkt w ciągu 30 dni od daty zakupu.

Obowiązują zasady i warunki użytkowania.

Powyższe postanowienia nie mają wpływu na prawa ustawowe klienta.

Перевод исходных инструкций

Введение

Благодарим за выбор инструмента Triton. В этом руководстве содержится информация, необходимая для безопасной и эффективной эксплуатации изделия. Данное изделие отличается некоторыми уникальными особенностями, и даже если вы уже знакомы с аналогичными изделиями, важно внимательно прочитать это руководство и понять содержащиеся в нем инструкции. Убедитесь, что каждый пользователь инструмента ознакомился с руководством и понял его.

Символы и обозначения



Пользоваться средствами защиты органов слуха
Пользоваться средствами защиты органов зрения
Пользоваться средствами защиты органов дыхания
Пользоваться средствами защиты головы



Прочитайте руководство



Осторожно!

Технические характеристики

Совместимые фрезеры:	прецизионные фрезеры Triton JOF001, MOF001, TRA001
Совместимые направляющие втулки:	все направляющие втулки Triton и направляющие втулки для кабелей Porter (переходник входит в комплект)
Материалы:	латунь с хромовым покрытием (направляющие втулки) сталь с хромовым покрытием (направляющие пластины) нейлон (проставка для стола)

Диаметры направляющих втулок, входящих в комплект:

	Наружный диаметр	Внутренний диаметр
A	$\frac{5}{16}$ "	$\frac{1}{4}$ "
B	$\frac{3}{8}$ "	$\frac{9}{32}$ "
C	$\frac{7}{16}$ "	$\frac{11}{32}$ "
D	$\frac{1}{2}$ "	$\frac{13}{32}$ "
E	$\frac{5}{8}$ "	$\frac{17}{32}$ "
F	$\frac{51}{64}$ "	$\frac{5}{8}$ "
G	$\frac{3}{4}$ "	$\frac{21}{32}$ "
H	30 мм	27 мм

Общие правила техники безопасности

ВНИМАНИЕ! Ознакомьтесь со всеми предупреждениями и инструкциями. Пренебрежение предупреждениями и инструкциями чревато поражением электрическим током, пожаром и/или серьезными травмами.

ВНИМАНИЕ! Эксплуатация прибора детьми, лицами с ограниченными физическими или умственными возможностями и лицами, не имеющими достаточного опыта или знаний, разрешается только при условии, что они будут находиться под присмотром ответственного за их безопасность или получат от него необходимые инструкции по работе с прибором. Не оставляйте детей без присмотра и не позволяйте им играть с прибором.

Сохраните все предупреждения и инструкции на будущее.

В разделе, посвященном технике безопасности, термин «электроинструмент» относится как к проводным (работающим от сети), так и к беспроводным (работающим от аккумулятора) инструментам.

Безопасность на рабочем месте

а) Следите за чистотой и освещенностью рабочего места. Беспорядок или недостаток освещения повышают вероятность несчастного случая.

б) Не работайте с электроинструментом во взрывоопасной атмосфере (например, в присутствии воспламеняющихся жидкостей, газов или пыли). Электроинструмент вырабатывает искры, которые могут воспламенить пыль или пары.

в) Во время работы с электроинструментом не позволяйте детям и посторонним лицам приближаться к вам. Они будут отвлекать ваше внимание, и вы можете потерять управление.

Электробезопасность

а) Вилки электроинструмента должны соответствовать розеткам. Категорически запрещается вносить какие-либо изменения в конструкцию вилки. Не разрешается подключать заземленный электроинструмент к сети через переходники. Применение стандартных вилок и соответствующих им розеток снижает риск поражения электрическим током.

б) Не касайтесь заземленных предметов: трубопроводов, радиаторов, электрических плит и холодильников. Если ваше тело заземлено, то риск поражения электрическим током увеличивается.

в) Берегите электроинструмент от дождя и влаги. Попадание воды внутрь электроинструмента увеличивает риск поражения электрическим током.

г) Не допускайте повреждения электрического шнура. Запрещается переносить, тянуть или отключать электроинструмент от сети за шнур. Берегите шнур от нагрева, контакта с маслом, острыми кромками или движущимися деталями. Поврежденный или запутанный шнур увеличивает риск поражения электрическим током.

д) При работе с электроинструментом вне помещения используйте удлинителем, пригодным для эксплуатации в таких условиях. Применение удлинителя, пригодного для эксплуатации вне помещения, снижает риск поражения электрическим током.

е) Если работа во влажных условиях неизбежна, то электроинструмент следует подключать к источнику питания, снабженному устройством защитного отключения (УЗО). Применение УЗО снижает риск поражения электрическим током.

ВНИМАНИЕ! При эксплуатации инструмента на территории Австралии или Новой Зеландии рекомендуется ВСЕГДА включать в цепь питания устройство защитного отключения (УЗО) с номинальным остаточным током 30 мА или меньше.

Личная безопасность

а) Будьте внимательны, следите за тем, что делаете и руководствуйтесь здравым смыслом при работе с электроинструментом. Запрещается пользоваться электроинструментом, если вы устали или находитесь под действием алкоголя, наркотиков или лекарственных препаратов. Даже кратковременное ослабление внимания во время работы чревато тяжелой травмой.

б) Пользуйтесь средствами индивидуальной защиты. Всегда пользуйтесь средствами защиты органов зрения. Грамотное применение средств защиты (например, респиратора, нескользящей защитной обуви, каски или средств защиты органов слуха) снижает риск травм.

в) Не допускайте непреднамеренного включения. Перед тем как подключать инструмент к розетке и/или аккумулятору, поднимать или переносить его убедитесь, что выключатель питания находится в положении «выключено». Если держать палец на выключателе питания при переноске инструмента или заряжать инструмент с выключенным выключателем питания, то риск несчастного случая увеличится.

г) Убирайте регулировочные ключи прежде чем включать электроинструмент. Гаечный ключ, присоединенный к вращающейся части электроинструмента, может нанести травмы.

д) Не тянитесь за пределы комфортной зоны досягаемости. Твердо стойте на ногах и сохраняйте равновесие. Это позволит увереннее контролировать инструмент в неожиданных ситуациях.

е) Одевайтесь надлежащим образом. Свободная одежда и украшения не допускаются. Держите волосы, одежду и перчатки подальше от движущихся частей инструмента. Свободную одежду, украшения или длинные волосы может намотать на движущиеся части.

ж) Обязательно используйте устройства вытяжки и сбора пыли, если конструкцией предусмотрены соединители для них. Соблюдайте правила их эксплуатации. Такие устройства снижают риски, связанные с пылью.

Эксплуатация электроинструмента и уход за ним

а) Не допускайте перегрузки электроинструмента.

Правильно выберите инструмент под свои задачи. Грамотно подобранный инструмент будет работать качественнее и безопаснее без превышения номинальной нагрузки.

б) Не работайте с электроинструментом, если выключатель питания не включается или не выключается. Любой электроинструмент с неработающим выключателем опасен и подлежит ремонту.

в) Отсоединяйте электроинструмент от розетки и/или аккумулятора, прежде чем выполнять настройку, менять оснастку или укладывать его на хранение. Данная мера предосторожности исключает случайный пуск инструмента.

г) Храните электроинструмент в местах, недоступных для детей, и не позволяйте работать с ним лицам, не знакомым с электроинструментом или не изучившим данные инструкции. Электроинструмент опасен в неумелых руках.

д) Обслуживайте электроинструмент. Следите за тем, чтобы не было биения или заедания движущихся частей, сломанных деталей или признаков других неисправностей, способных повлиять на работу электроинструмента. Если инструмент поврежден, то эксплуатацию разрешается возобновлять только после ремонта. Причиной многих несчастных случаев становится неудовлетворительное обслуживание электроинструмента.

е) Следите за чистотой режущего инструмента и состоянием его режущих кромок. Если режущий инструмент надлежащим образом обслужен, то снижается вероятность защемления и облегчается управление.

ж) Соблюдайте эти инструкции при эксплуатации электроинструмента, оснастки и режущего инструмента. Учитывайте условия и особенности предстоящей работы. Использование электроинструмента не по назначению может быть опасным.

Ремонт

а) Ремонт электроинструмента должен производиться квалифицированным специалистом с использованием идентичных запчастей. Только в этом случае ремонт электроинструмента не скажется на его безопасности отрицательным образом.

ВНИМАНИЕ! Перед подключением инструмента к источнику питания (в точке подключения, розетке и т.д.) убедитесь, что напряжение питания соответствует значению, указанному на паспортной табличке инструмента. Если напряжение источника питания выше этого значения, то подключение инструмента к такому источнику может привести к серьезным травмам пользователя и выходу инструмента из строя. Если имеются сомнения – не подключайте инструмент. Использование источника питания, напряжение которого ниже номинального напряжения инструмента, может привести к поломке электродвигателя.

Знакомство с изделием

1. Направляющая пластина
(для фрезера Triton модели TRA001)
2. Направляющая пластина
(для фрезеров Triton моделей MOF001 и JOF001)
3. Центровочная втулка
(и переходник для направляющей втулки для кабелей Porter)
4. Винты M4
5. Направляющие втулки
6. Проставка для стола

Назначение

Комплект оснастки для установки направляющих втулок на фрезеры Triton, фрезерования по шаблону и применения специальных держателей. Комплект включает направляющие втулки, направляющие пластины и проставку для работы на фрезерных столах.

Распаковывание инструмента

- Аккуратно распакуйте и осмотрите инструмент. Ознакомьтесь со всеми его характеристиками и функциями.
- Убедитесь, что все детали инструмента находятся в хорошем состоянии. Если какие-либо детали отсутствуют или повреждены, то эксплуатация инструмента разрешается только после замены таких деталей.

Перед эксплуатацией

Примечание. Чтобы использовать направляющие втулки (5, А – Н) для фрезерования по шаблону необходимо сначала установить на подошву фрезера Triton направляющую пластину (1 или 2).

Подготовка направляющей пластины

1. Выберите направляющую пластину (1 или 2), которая подходит для вашей модели фрезера Triton (смотрите раздел «Знакомство с изделием»).
2. Установите два винта M4 (4) в отверстия на вогнутой стороне направляющей пластины, оставив зазор в 3 мм под головками. Не затягивайте винты.
3. Установите центровочную втулку (3) выемкой вверх по центру направляющей пластины. Два паза должны совместиться с головками винтов.
4. Поверните центровочную втулку так, чтобы пазы сместились относительно головок винтов, после чего затяните винты подходящей отверткой (не входит в комплект поставки), чтобы зафиксировать центровочную втулку на направляющей пластине.

Установка направляющей пластины на фрезеры Triton JOF001 и MOF001 (I)

1. Переверните фрезер Triton и переведите его в положение блокировки цапгового патрона.
2. Снимите режущий инструмент, если он установлен.
3. Пользуясь подходящей отверткой (не входит в комплект поставки), открутите четыре винта с крестообразным шлицем, которые крепят черную пластиковую подошву. Снимите подошву.
4. Установите направляющую пластину (2) в соответствующую выемку на внутренней поверхности пластиковой подошвы (т.е. между основанием фрезера и подошвой, смотрите I).
5. Установите направляющую пластину (2) через патрон на основание фрезера.

ВНИМАНИЕ! Проследите за тем, чтобы пластиковая подошва была отцентрирована на основании фрезера. Все четыре отверстия под винты должны надлежащим образом совпадать.

6. Установите на место четыре винты с крестовым шлицем и надежно затяните их.

ВНИМАНИЕ! НЕ затягивайте слишком сильно! Это может привести к короблению подошвы.

Установка направляющей пластины на фрезеры Triton TRA001 (II)

1. Переверните фрезер Triton и переведите его в положение блокировки цапгового патрона.
2. Снимите режущий инструмент, если он установлен.
3. Пользуясь подходящей отверткой (не входит в комплект поставки), открутите четыре винта с крестообразным шлицем, которые крепят черную пластиковую подошву. Снимите подошву.
4. Установите направляющую пластину (1) через патрон на основание фрезера.

ВНИМАНИЕ! Проследите за тем, чтобы все отверстия в направляющей пластине совместились с ответными отверстиями в основании фрезера.

5. Установите черную подошву поверх направляющей пластины.
6. Установите на место четыре винты с крестовым шлицем и надежно затяните их.

ВНИМАНИЕ! НЕ затягивайте слишком сильно! Это может привести к короблению подошвы.

Крепление направляющей втулки к направляющей пластине

1. Установите режущий инструмент в патрон фрезера и настройте глубину резания так, чтобы инструмент не выпирал.
2. Ослабьте два винта М4 (2), снимите центровочную втулку (3) и установите на ее место требуемую направляющую втулку (5, А – Н). Направляющую втулку устанавливают манжетой вверх, в направлении от корпуса фрезера.
3. Поверните режущий инструмент от руки и убедитесь, что он не задевает направляющую втулку.

Крепление направляющей втулки для кабелей Porter к направляющей пластине

1. Ослабьте винты М4 (4) и снимите центровочную втулку (3) с направляющей пластины (1 или 2).
2. Установите направляющую втулку для кабелей Porter на центровочную втулку (на ту сторону, на которой есть отверстие).
3. Присоедините полученный узел к направляющей пластине.

Работа со столом (III)

Примечание. Для фрезерования по шаблону на столе необходима проставка для стола (6).

1. Вытащите вставное кольцо из фрезерного стола.
2. Снимите винты М4 (4) и центровочную втулку (3) из направляющей пластины (1 или 2) и установите проставку для стола (6) (пазом вверх) по центру направляющей пластины.
3. Совместите отверстия под винты, установите винты и требуемую направляющую втулку (5, А – Н).

Демонтаж направляющей пластины

- Даже если шаблоны не используются, направляющую пластину (1 или 2) можно не снимать. Она не мешает выполнять большинство операций как вручную, так и на столе.
- Однако если диаметр режущего инструмента превышает 50 мм (2"), то направляющую пластину (1 или 2) придется демонтировать.
- Для этого выполните приведенные выше инструкции в обратном порядке.

Техническое обслуживание

ВНИМАНИЕ! Обслуживание/очистку разрешается начинать только после того, как инструмент будет отключен от источника питания.

- Регулярно проверяйте затяжку всех крепежных винтов. Со временем затяжка может ослабевать от вибрации.
- Регулярно проверяйте, что винты М4 (4) надежно затянуты.
- Если направляющая втулка не используется, рекомендуем снять винты М4 и центровочную втулку (3) для безопасного хранения.

Очистка

- Всегда держите инструмент в чистоте. Пыль и грязь ускоряют износ внутренних деталей и сокращают срок службы устройства. Для чистки корпуса используйте мягкую щетку или сухую тряпку. По возможности рекомендуется продуть вентиляционные отверстия сухим и чистым сжатым воздухом (при необходимости).

Хранение

- Инструмент должен храниться в надежном, сухом и недоступном для детей месте.

Az eredeti utasítások fordítása

Bevezetés

Köszönjük, hogy megvásárolta ezt a Triton szerszámot! A jelen útmutató a termék biztonságos és hatékony üzemeltetéséhez szükséges információkat tartalmazza. Ez a termék egyedi tulajdonságokkal rendelkezik, és még ha Ön ismeri is a hasonló termékeket, mindenképpen alaposan olvassa el ezt az útmutatót, hogy megértse a benne levő utasításokat. Ügyeljen arra, hogy a szerszámot használó minden személy elolvassa és teljesen megértse ezeket az utasításokat.

A szimbólumok leírása



Viseljen fülvédőt.
Viseljen védőszemüveget.
Viseljen védőmaszkot.
Viseljen fejevédőt.



Olvassa el a kezelési útmutatót.



Figyelem!

Műszaki adatok

Kompatibilis felsőmarók:	Triton JOF001, MOF001 és TRA001 precíziós felsőmarók
Kompatibilis másolóhüvelyek:	minden Triton és Porter Cable márkájú másolóhüvely (adapter mellékelve)
Alkatrészek anyaga:	krómozott sárgaréz (másolóhüvelyek) krómozott acél (vezetőlemezek) műanyag (asztali távtartó)

Mellékelt másolóhüvelyek átmérői:

	Külső átmérő	Belső átmérő
A	$\frac{5}{16}$ "	$\frac{1}{4}$ "
B	$\frac{3}{8}$ "	$\frac{9}{32}$ "
C	$\frac{7}{16}$ "	$\frac{11}{32}$ "
D	$\frac{1}{2}$ "	$\frac{13}{32}$ "
E	$\frac{5}{8}$ "	$\frac{17}{32}$ "
F	$\frac{51}{64}$ "	$\frac{5}{8}$ "
G	$\frac{3}{4}$ "	$\frac{21}{32}$ "
H	30 mm	27 mm

Általános biztonságra vonatkozó tudnivalók

FIGYELEM! Olvassa el az összes munkavédelmi figyelmeztelést és utasítást. Amennyiben nem veszi figyelembe a figyelmeztetéseket, és nem tartja be az utasításokat, súlyos sérülés következhet be.

FIGYELEM: Ezt a készüléket nem használhatják csökkent fizikai vagy értelmi képességekkel rendelkező személyek (beleértve ebbe a gyermekeket is), vagy tapasztalat és ismeretek nélkül rendelkező emberek, hacsak nem állnak a biztonságukért felelős személy felügyelete alatt, illetve nem követik annak utasításait. A gyermekeket felügyelet alatt kell tartani, hogy ne játsszanak a készülékkel.

Őrizzen meg minden figyelmeztetést és utasítást a későbbi tájékozódás érdekében.

A figyelmeztetéseken említett „szerszámgép” kifejezés az összes alábbi figyelmeztetés esetén az elektromos hálózatról üzemelő (vezetékes) szerszámgépre és az akkumulátorról üzemelő (vezeték nélküli) szerszámgépre is vonatkozik.

Munkaterület biztonsága

- Tartsa tisztán és jól megvilágítva a munkaterületet. A rendezetlen és sötét területek vonzzák a baleseteket.
- Ne működtesse a szerszámgépeket robbanásveszélyes folyadékok, gázok vagy por jelenlétében. A szerszámgépek szikrákat bocsátanak ki, amelyek meggyújthatják a port vagy a gázokat.
- A szerszámgép használata közben a gyermekeket és a környezetben tartózkodókat tartsa távol! A figyelemfelvonás miatt elvesztheti ellenőrzését a munka felett.

Elektromos biztonság

- A szerszám csatlakozódugója illeszkedjen az aljzathoz! Soha, semmilyen módon ne alakítsa át a dugaszt. Semmiféle csatlakozódugó-adaptert ne használjon vezetékkel ellátott („földelt”) szerszámgéphez. A nem módosított, és az aljzatba illeszkedő csatlakozódugók csökkentik az áramütés veszélyét.
- Kerülje a fizikai érintkezést földelt vagy testelt felületekkel (pl. csövek, radiátorok, tűzhelyek, hűtőszekrények). Nő az áramütés veszélye, ha a felhasználó teste földelre van.
- Ne tegye ki a szerszámgépeket esőnek vagy víznek környezetben. A szerszámgépbe kerülő víz növeli az áramütés kockázatát.
- Ne sértse meg a tápkábelt. Soha ne vigye, húzza vagy távolítsa el az aljzathoz a szerszámgépet a vezetéknel fogva. A kábelt tartsa távol a hőforrásoktól, olajtól, éles peremektől vagy mozgó alkatrészekről. A megrongálódott vagy összekuszálódott kábelek növelik az áramütés veszélyét.
- A szerszámgépet kültéri környezetben használja, használjon a kültérben alkalmazható hosszabbító kábelt. A kültéri alkalmazásra megfelelő hosszabbító használatát csökkenti az áramütés veszélyét.
- Ha a szerszámgép nedves környezetben történő működtetése elkerülhetetlen, használjon lekapcsoló áramvédő eszközzel (RCD) védett áramforrást. A Fi-relé használata csökkenti az áramütés veszélyét.

FIGYELEM: Ausztráliában vagy Új-Zélandon való használatkor MINDIG 30 mA-s vagy annál alacsonyabb hibááramra leoldó áramvédő kapcsolóval (Fi-relével) rendelkező tápfeszültség alkalmazása javasolt.

Személyi biztonság

- Legyen figyelmes, ügyeljen arra, amit tesz, és őrizze meg a józan ítélőképességét a szerszámgép működtetése közben. Ne használja a szerszámgépet, ha fáradt, vagy amennyiben kábítószerek, alkohol vagy gyógyszerek hatása alatt áll. A szerszámgép működtetése során előforduló pillanatnyi figyelmetlenség súlyos személyi sérülést eredményezhet.

- Használjon személyi védőfelszerelést. Mindig használjon védőeszközöket. Az adott körülményekre alkalmazott olyan biztonsági felszerelések, mint például porvédő maszk, csúszásmentes biztonsági lábbeli vagy fülvédő csökkenti a személyi sérülések veszélyét.
- Kerülje el a véletlenszerű elindítást. Az áramforráshoz és/vagy az akkumulátorhoz történő csatlakozás előtt, vagy az eszköz felemelésekor vagy szállításakor, győződjön meg róla, hogy a BE/KI kapcsoló az OFF (KI) helyzetben van-e.

Baleset forrása lehet, ha a szerszámgépet úgy szállítja, hogy közben az újjat a BE/KI kapcsolón tartja, vagy áram alá helyezi a szerszámgépet úgy, hogy a kapcsolója bekapcsolts (ON) helyzetben van.

- A szerszámgép bekapcsolása előtt távolítson el minden beállítókulcsot vagy fogót. A szerszámgép valamely mozgó alkatrészén hagyott villáskulcs vagy állítókulcs személyi sérülést okozhat.
- Kerülje az abnormális testtartást. Mindig biztonságban álljon a lábán, és őrizze meg az egyensúlyát. Ez a szerszámgép biztosabb irányítást teszi lehetővé áratlan helyzetekben.
- Öltözzön megfelelően. Ne viseljen bő ruhákat vagy ékszereket. A haját, a ruháját és a kesztyűjét tartsa távol a mozgó alkatrészekről. A bő ruhák, ékszerek vagy a hosszú haj beleakadhatnak a mozgó alkatrészekbe.
- Ha rendelkezésre állnak a perelszívó készülékek és a gyűjtőtárolók, győződjön meg róla, hogy csatlakoztatták és megfelelően használják őket. Ezeknek a készülékeknek a használata csökkenti a porral járó veszélyeket.

Szerszámgép használata és karbantartása

- Ne erőltesse a szerszámgépet. A célnak megfelelő szerszámgépet használja. A megfelelő szerszámgép jobban és biztonságosabban végzi el azt a feladatot, amelyre tervezték.
- A szerszámgépet ne használja akkor, ha a BE/KI kapcsoló nem működik megfelelően (nem kapcsolja ki vagy be a készüléket). A BE/KI kapcsolójával nem vezérelhető szerszámgép veszélyes, ezért meg kell javítani.
- Húzza ki a csatlakozót a tápforrásból, és/vagy vegye ki az akkumulátort a szerszámgépéből, mielőtt bármilyen beállítást vagy tartozékcsere-t hajtana létre, illetve tárolná a szerszámgépet. Az ehhez hasonló megelőző intézkedések csökkentik a véletlenszerű bekapcsolás kockázatát.
- A használaton kívüli szerszámgépeket tartsa távol a gyermekektől, és ne engedje, hogy a szerszámgép használatát vagy a jelen kézikönyvet nem ismerő személy működtesse a szerszámgépet.

A szerszámgépek veszélyesek lehetnek a gyakorlattal nem rendelkező felhasználók kezében.

- Tartsa karban a szerszámgépeket. Ellenőrizze, hogy a mozgó alkatrészek illeszkedése és beállítása megfelelő-e, nincs-e rajtuk meghibásodott elem, vagy nem áll-e fenn olyan körülmény, amely találatot lehet a szerszámgép működésére. Használat előtt javítsa meg a szerszámgépet, amennyiben az sérült. A nem megfelelően karbantartott szerszámgépek sok balesetet okoznak.
 - A vágóeszközöket tartsa élesen és tisztán. A megfelelően karbantartott, éles vágóélekkel rendelkező vágószerszámoknál kevésbé valószínű a beszorulás, és a szerszám irányítása is könnyebb.
 - A szerszámgépeket, a kiegészítőket, a betétkéseket stb. a jelen utasításoknak megfelelően használja, figyelembe véve a munkakörülményeket és a végrehajtandó munkát. A szerszámgép rendeltetéstől eltérő használata veszélyes helyzetet okozhat.
- ## Szerviz
- Az elektromos kéziszerszám szerelését bízva szakképzett szerelőre, aki az eredetileg megegyező alkatrészekkel végzeze a javítást. Ez biztosítja a szerszámgép biztonságos működésének fenntartását.

FIGYELEM: Mielőtt a szerszámgépet tápfeszültséghez csatlakoztatja (főkapcsoló hálózati aljzata, fali aljzat stb.), győződjön meg arról, hogy a tápfeszültség értéke megegyezik-e a szerszámgép adattábláján megadott értékkel. A kezelő súlyos sérülését, illetve a szerszámgép károsodását okozhatja, ha azt az előírtnál magasabb feszültséggel működteti. Készséges esetben ne csatlakoztassa a gépet a hálózathoz. A szükségesnél alacsonyabb feszültségű áramforrást használ, az árthat a gépnek.

A termék ismertetése

1. Vezetőlemez
(a Triton TRA001 típusú felsőmaróhoz)
2. Vezetőlemez
(a Triton MOF001 és JOF001 típusú felsőmaróhoz)
3. Illesztődarab
(és Porter Cable márkájú másolóhüvely-adapter)
4. M4 csavarok
5. Másolóhüvelyek
6. Asztali távtartó

Rendeltetésszerű használat

Tartozék készlet a vezetőhüvelyeknek a Triton felsőmarókra való felszereléséhez, a sablonvezetéshez és az egyedi vezetőlemek, többek között a különböző átmérőjű másolóhüvelyek, vezetőlemek és távtartók felsőmaró asztalokon való használatához.

A szerszám kicsomagolása

- Óvatosan csomagolja ki és ellenőrizze a szerszámot. Ismerkedjen meg az összes kezelőszervvel és funkcióval.
- Ellenőrizze, hogy a szerszám minden alkatrésze a helyén van és jó állapotú-e. Ha bármelyik alkatrész hiányzik vagy sérült, cseréltesse ki, mielőtt használni kezdi a szerszámot.

A használat előtt

Megjegyzés: A másolóhüvelyek (5, A – H) sablonvezetéshez való használatához először illesse a vezetőlemezt (1 vagy 2) a Triton felsőmaró talpához.

A vezetőlemez előkészítése

1. Válassza ki a Triton felsőmaró típusához megfelelő vezetőlemezt (1 vagy 2) (lásd a Termék ismertetése című szakaszt).
2. 2 darab M4 csavart (4) lazán csavarjon be a vezetőlemez homorú oldalába úgy, hogy 3 mm-es rés maradjon a csavarok feje alatt.
3. Ütesse az illesztődarabot (3) felfele néző bemélyesztéssel a vezetőlemez közepébe úgy, hogy a vezetőlemez két bemélyesztése a csavarfejekkel egyenesbe legyen állítva.
4. Addig forgassa el az illesztődarabot, míg a bemélyedések már nem esnek egy vonalba a csavarfejekkel, majd húzza meg a csavarokat egy megfelelő csavarhúzóval (nincs mellékelve), hogy rögzítse az illesztődarabot a vezetőlemezhez.

A vezetőlemez felszerelése a Triton JOF001 és MOF001 típusú felsőmaróra (I)

1. Fordítsa fejjel lefele a Triton felsőmarót, majd süllyessze le a befogópatron reteszelési helyzetéig.
2. Távolítsa el a marófejet, ha az be van fogatva.
3. Megfelelő csavarhúzóval (nem tartozék), szerelje ki a fekete műanyag talplemezt rögzítő négy darab Phillips fejű csavart. Távolítsa el a talplemezt.
4. Illesse a vezetőlemezt (2) a műanyag talplemez belső felének erre a célra kialakított bemélyedésébe (azaz, a felsőmaró talpa és a talplemez közé, lásd az I. ábrát).
5. A vezetőlemezt (2) helyezze a felsőmaró befogópatronja fölé, a felsőmaró talpára.

FIGYELEM: Ügyeljen arra, hogy a műanyag talplemez központosan helyezkedjen el a felsőmaró talpán, és hogy mind a négy csavarnyílás megfelelően legyen beállítva.

6. Szerelje vissza mind a négy Phillips fejű csavart, majd szorosan húzza meg azokat.

FIGYELEM: NE húzza túl a csavarokat, mivel ez deformálhatja a talplemezt.

A vezetőlemez felszerelése a Triton TRA001 típusú felsőmaróra (II)

1. Fordítsa fejjel lefele a Triton felsőmarót, majd süllyessze le a befogópatron reteszelési helyzetéig.
2. Távolítsa el a marófejet, ha az be van fogatva.
3. Megfelelő csavarhúzóval (nem tartozék), szerelje ki a fekete műanyag talplemezt rögzítő négy darab Phillips fejű csavart. Távolítsa el a talplemezt.
4. A vezetőlemezt (1) helyezze a felsőmaró befogópatronja fölé, a felsőmaró talpára.

FIGYELEM: Ügyeljen arra, hogy a vezetőlemez minden furata egybeessen a felsőmaró talpának megfelelő furataival.

5. Helyezze a fekete műanyag talplemezt a vezetőlemez tetejére.
6. Szerelje vissza mind a négy Phillips fejű csavart, majd szorosan húzza meg azokat.

FIGYELEM: NE húzza túl a csavarokat, mivel ez deformálhatja a talplemezt.

Illesztődarab felszerelése a vezetőlemezre

1. Illesszen egy marófejet a befogópatronba, majd addig állítsa a merülési mélységet, míg a marófej el nem tűnik.
2. Lazítsa fel a két M4 csavart (4), távolítsa el az illesztődarabot (3), majd tegye a helyére a szükséges másolóhüvelyt (5, A – H). A másolóhüvelyt a gyűrűs részével felfele állítva, a felsőmaró testével ellentétes irányba mutatva helyezze el.
3. A marófejet kézzel forgassa el annak ellenőrzésére, hogy mindenütt van-e tér a marófej és a másolóhüvely között.

Porter Cable másolóhüvely felszerelése a vezetőlemezre

1. Lazítsa fel az M4 csavarokat (4), majd távolítsa el az illesztődarabot (3) a vezetőlemezről (1 vagy 2).
2. Illesse a Porter Cable márkájú másolóhüvelyt az illesztődarab-bemélyesztett oldalába.
3. Szerelje fel ezt az egységet a vezetőlemezre.

Asztali használat (III)

Megjegyzés: Maróasztalon történő felsőmaráskor asztali távtartó (6) szükséges.

1. Vegye ki a betétgyűrűt a felsőmaró asztalból.
2. Távolítsa el az M4 csavarokat (4) és az illesztődarabot (3) a vezetőlemezzel (1 vagy 2), majd ültesse az asztali távtartót (6) a bemélyesztett oldalával felfelé a vezetőlemez középpontjába.
3. Állítsa egy vonalba a csavarok furatait, majd szerelje fel a csavarokat és a szükséges másolóhüvelyt (5, A – H).

A vezetőlemez eltávolítása

- Ha nem használja a másolóhüvelyeket, a vezetőlemez (1 vagy 2) a felsőmaróra szerelve maradhat a marási műveletek többségénél, kézi és asztalra szerelt használat esetén egyaránt.
- Ha azonban 50 mm-nél nagyobb átmérőjű marófejet használ, a vezetőlemez (1 vagy 2) eltávolítása szükséges.
- A vezetőlemez eltávolításához kövesse a fenti felszerelési eljárást fordított sorrendben.

Karbantartás

FIGYELEM: Mindig válassza le a gépet a hálózati tápellátásról, mielőtt bármilyen karbantartási/tisztítási műveletet végezne.

- Rendszeresen ellenőrizze, hogy minden rögzítőcsavar kellően meg van-e húzva. Ezek a rezgés hatására idővel fellazulhatnak.
- Rendszeresen ellenőrizze, hogy az M4 csavarok (4) kellően meg vannak-e húzva.
- Amennyiben nem használja a másolóhüvelyeket, vegye fontolóra az M4 csavarok és az illesztődarab (3) biztonságos eltávolítását.

Tisztítás

- Tartsa a szerszámgépet mindig tisztán. Szennyeződés és por hatására a belső alkatrészek kopása gyorsabb lesz, és lerövidül a szerszám élettartama. Tisztítsa meg a gép testét egy puha kefével vagy száraz ronggyal. Ha lehetséges, használjon tiszta, száraz, sűrített levegőt a szellőzőnyílások átfúvatásához (ahol szükséges).

Tárolás

- Tárolja ezt a szerszámot körültekintően, egy biztonságos, száraz, gyermekek által nem elérhető helyen.

Jótállás

A jótállás regisztrálásához látogassa meg webhelyünket a www.tritontools.com címen, és adja meg adatait. Adatai bekerülnek a levelezési listánkba (kivéve, ha ezt másképpen adja meg), és tájékoztatjuk a későbbi kiadásokról. A megadott adatokat nem bocsátjuk harmadik fél rendelkezésére.

Vásárlási nyilvántartás

Vásárlás dátuma: ___ / ___ / ___

Típus: TGA250 Őrizz meg a vásárlást igazoló nyugtát.

A Triton Precíziós Szerszámgépek garantálják vásárlóinak, hogy bármely alkatrész anyaghibából vagy gyártási hibából, a vásárlás időpontjától számított 3 éven belül bekövetkezett meghibásodása esetén, a Triton ingyenesen megjavítja - vagy alapos megfontolás esetén kicseréli – a hibás alkatrészt.

Ez a garancia nem vonatkozik ipari jellegű használatra, továbbá általános jellegű kopásra, illetve a termék nem rendeltetésszerű használatából eredő meghibásodására.

*Regisztráljon az interneten 30 napon belül.

Feltételek és kikötések vonatkoznak.

Nincs hatással a törvényben meghatározott jogaira.

Překlad originálního návodu

Úvod

Děkujeme za zakoupení výrobku Triton. Tento návod obsahuje nezbytné informace pro bezpečné používání a správnou funkci tohoto výrobku. Tento výrobek nabízí mnoho jedinečných funkcí. Je možné, že jste již s podobným výrobkem pracovali; přesto si důkladně přečtěte tento návod, abyste rozuměli pokynům. Ujistěte se, že všichni, kdo s výrobkem pracují, tento návod četli a porozuměli mu.

Použité symboly



Používejte chrániče sluchu
Používejte ochranné brýle
Používejte respirátory
Používejte ochrannou přilbu



Přečtěte si návod



Pozor!

Technická data

Kompatibilní horní frézy:	Triton Horní frézy JOF001, MOF001, TRA001
Kompatibilní kopírovací kroužky:	všechny Triton kopírovací kroužky a kopírovací kroužky značky Porter Cable (adaptér je součástí tohoto balení)
Použité materiály:	mosaz, chromovaná (kopírovací kroužky) ocel, chromovaná (kopírovací podložky) nylon (distanční vložka)

Součástí balení jsou kroužky těchto průměrů

	Vnější průměr	Vnitřní průměr
A	$\frac{5}{16}$ "	$\frac{1}{4}$ "
B	$\frac{3}{8}$ "	$\frac{9}{32}$ "
C	$\frac{7}{16}$ "	$\frac{11}{32}$ "
D	$\frac{1}{2}$ "	$\frac{13}{32}$ "
E	$\frac{5}{8}$ "	$\frac{17}{32}$ "
F	$\frac{51}{64}$ "	$\frac{5}{8}$ "
G	$\frac{3}{4}$ "	$\frac{21}{32}$ "
H	30mm	27mm

Bezpečnostní opatření

UPOZORNĚNÍ Přečtěte si všechna bezpečnostní varování a instrukce. Neuposlouchnutí následujících varování může způsobit úraz elektrickým proudem, požár a/nebo vážné poranění.

UPOZORNĚNÍ: Tento přístroj nesmí být používán osobami (včetně dětí) s tělesným nebo mentálním poškozením. Dále ho nesmí používat osoby s minimem zkušeností nebo znalostí, pokud na ně nedohláží osoba zodpovědná za bezpečnost nebo jim nebyly předány instrukce k obsluze přístroje. Děti musí být seznámeny s tím, že si s tímto přístrojem nesmí hrát.

Uchovejte všechna varování a instrukce pro budoucí použití.

Výrazem "elektronářadí" zmiňovaným v bezpečnostních opatřeních se rozumí zařízení používané v elektrické síti (se síťovým kabelem) nebo zařízení, které využívá bateriový pohon (bez síťového kabelu).

1) Bezpečnost pracovního místa

a) **Udržujte pracovní místo čisté a dobře osvětlené.** Nepořádek nebo neosvětlené pracovní místo může vést k úrazům.

b) **Nepoužívejte elektronářadí v prostředí ohroženém explozí, kde se nacházejí hořlavé kapaliny, plyny nebo prach.** Elektronářadí vytváří jiskry, které mohou prach nebo páry zapálit.

c) **Děti a jiné přihlížející osoby udržujte při použití elektronářadí daleko od pracovního místa.** Při rozptýlení můžete ztratit kontrolu nad přístrojem.

2) Bezpečná práce s elektrinou

a) **Připojovací zástrčka elektronářadí musí odpovídat zásuvce.** Zástrčka nesmí být žádným způsobem upravována. Společně s elektronářadím s ochranným uzemněním nepoužívejte žádné adaptérové zástrčky. Neupravené zástrčky a vhodné zásuvky snižují pravděpodobnost úrazu elektrickým proudem.

b) **Vyhnete se tělesnému kontaktu s uzemněnými povrchy jako je potrubí, topná tělesa, sporáky a chladničky.** Je-li vaše tělo uzemněno, hrozí zvýšené riziko úrazu elektrickým proudem.

c) **Chraňte zařízení před deštěm a vlhkem.** Vniknutí vody do elektronářadí zvyšuje nebezpečí úrazu elektrickým proudem.

d) **Dbejte na účel kabelu, nepoužívejte jej k nošení či zavěšení elektronářadí nebo k vytáhnutí zástrčky ze zásuvky.** Udržujte kabel daleko od tepla, oleje, ostrých hran nebo pohyblivých dílů stroje. Poškozené nebo spletené kabely zvyšují riziko zásahu elektrickým proudem.

e) **Pokud pracujete s elektronářadím venku, použijte pouze takové prodlužovací kabely, které jsou způsobilé i pro venkovní použití.** Použití prodlužovacího kabelu, jež je vhodný pro použití venku, snižuje riziko zásahu elektrickým proudem.

f) **Pokud se nelze vyhnout provozu elektronářadí ve vlhkém prostředí, použijte proudový chránič.** Použití proudového chrániče snižuje riziko zásahu elektrickým proudem.

VAROVÁNÍ: Pro použití v Austrálii a na Novém Zélandu doporučujeme, aby byl tento výrobek VŽDY dodáván společně s proudovým chráničem se zbytkovým proudem 30mA nebo méně.

3) Osobní bezpečnost

a) **Buďte pozorní, dávejte pozor na to, co děláte, a přístupujte k práci s elektronářadím rozumně.** Nepoužívejte žádné elektronářadí, pokud jste unaveni nebo pod vlivem drog, alkoholu nebo léků. Moment nepozornosti při použití elektronářadí může vést k vážným poraněním.

b) **Noste osobní ochranné pomůcky a vždy ochranné brýle.** Nošení osobních ochranných pomůček jako je maska proti prachu, bezpečnostní obuv s protiskluzovou podrážkou, ochranná přilba nebo sluchátka, podle druhu použití elektronářadí, snižují riziko poranění.

c) **Zabraňte neúmyslnému uvedení do provozu.** Přesvědčte se, že je elektronářadí vypnuté, dříve, než jej uchopíte, poneseťe či připojíte na zdroj proudu a/nebo akumulátor. Máte-li při nošení elektronářadí prst na spínači, nebo pokud stroj připojíte ke zdroji proudu zapnutý, může dojít k úrazům.

d) **Než elektronářadí zapnete, odstraňte seřizovací nástroje nebo šroubováky.** Nástroj nebo klíč, který se nachází v otáčivém dílu stroje, může vést k poranění.

e) **Zajistěte si bezpečný postoj a udržujte vždy rovnováhu.** Tím můžete elektronářadí v neočekávaných situacích lépe kontrolovat.

f) **Noste vhodný oděv. Nenoste žádný volný oděv nebo šperky.** Vlasy, oděv a rukavice udržujte daleko od pohyblivých se dílů. Volný oděv, šperky nebo dlouhé vlasy mohou být zachyceny pohyblivými se díly.

g) **Lze-li namontovat odsávací či zachycující přípravky, přesvědčte se, že jsou připojeny a správně použity.** Použití odsávacího prachu může snížit ohrožení prachem.

4) Svědomitě zacházení a používání elektronářadí

a) **Přístroj nepřetěžujte.** Pro svou práci použijte k tomu určené elektronářadí. S vhodným elektronářadím zvládnete práci lépe a bezpečněji.

b) **Nepoužívejte žádné elektronářadí, jehož spínač nebo přívodní kabel je vadný.** Elektronářadí, které nelze zapnout či vypnout, je nebezpečné a musí se opravit.

c) **Než provedete seřízení stroje, výměnu dílů příslušenství nebo stroj odložíte, vytáhněte zástrčku ze zásuvky a/nebo odstraňte akumulátor.** Toto preventivní opatření zabrání neúmyslnému zapnutí elektronářadí.

d) **Uchovávejte nepoužívané elektronářadí mimo dosah dětí.** Nenechte stroj používat osobám, které se strojem nejsou seznámeny nebo nečetly tyto pokyny. Elektronářadí je nebezpečné, je-li používáno nezkušenými osobami.

e) **Pečujte o elektronářadí svědomitě.** Zkontrolujte, zda pohyblivé díly nejsou bezvadně fungující a nevzpříčují se, zda díly nejsou zlomené nebo poškozené tak, že je omezena funkce elektronářadí. Poškozené díly nechte před opětovným použitím přístroje opravit. Mnoho úrazů má příčinu ve špatně udržovaném elektronářadí.

f) **Řezné nástroje udržujte ostré a čisté.** Pečlivě ošetřované řezné nástroje s ostrými řeznými hranami se méně vzpříčují a snadněji se vedou.

g) **Používejte elektronářadí, příslušenství, nasazovací nástroje apod. podle těchto pokynů.** Respektujte přitom pracovní podmínky a prováděnou činnost. Použití elektronářadí pro jiné než určené použití může vést k nebezpečným situacím.

5) Servis

a) **Nechte vaše elektronářadí opravit pouze certifikovaným odborným personálem a pouze s originálními náhradními díly.** Tím bude zajištěno, že bezpečnost stroje zůstane zachována.

VAROVÁNÍ: Před zapojením nářadí do elektrické sítě (napájecí zdroj, zásuvka apod.) se ujistěte, že napájecí napětí je stejné, jako je uvedeno na typovém štítku nářadí. Napájecí zdroj s napětím vyšším, než je uvedeno na nářadí, může vést k vážnému poranění uživatele a poškození nářadí. Máte-li pochybnosti, nepřipojte nářadí do sítě. Použití napájecího zdroje s napětím nižším než na typovém štítku škodí motoru.

Popis dílů

1. Kopírovací podložka
(pasuje k Triton horní fréze - model TRA001)
2. Kopírovací podložka
(pasuje k Triton horní fréze - model MOF001 a JOF001)
3. Vyrovnávací kroužek
(a adaptér pro kopírovací kroužky Porter Cable)
4. Šrouby M4
5. Kopírovací kroužky
6. Distanční vložka

Doporučené použití

sada příslušenství pro montáž kopírovacích kroužků k Triton horním frézám, pro frézování podle šablony a při použití vlastních vodičích prvků. Sada obsahuje kopírovací kroužky různých průměrů, kopírovací podložky a distanční vložku pro použití ve frézovacích stolech.

Vybalení vašeho nářadí

- Nářadí opatrně vybalte a zkontrolujte. Seznamte se se všemi jeho vlastnostmi a funkcemi.
- Ujistěte se, že v balení byly všechny díly a že jsou v pořádku. Pokud bude nějaký díl chybět nebo bude poškozen, nechejte si tyto díly vyměnit předtím, než s nářadím začnete pracovat.

Před použitím

Poznámka: Abyste mohli používat kopírovací kroužky (5, A – H) pro frézování podle šablony, musíte nejdříve připravit kopírovací podložku (1 nebo 2) k vaší horní fréze Triton.

Příprava kopírovací podložky

1. Vyberte správnou kopírovací podložku (1 nebo 2), které pasuje do vaší horní frézy Triton (viz. „Popis dílů“)
2. Našroubujte (neutahujte) dva šrouby M4 (4) do děr ve snížené části kopírovací podložky; pod hlavičkou každého šroubu ponechte mezeru cca 3 mm
3. Nasadte vyrovnávací kroužek (3), zapuštěnou stranou nahoru, do středu kopírovací podložky tak, aby oba výřezy byly v zákrytu s hlavičkami šroubů
4. Pootočte vyrovnávacím kroužkem, až výřezy budou mimo hlavičky šroubů; potom šrouby utáhněte pomocí vhodného šroubováku (není součástí balení), abyste přichytili vyrovnávací kroužek ke kopírovací podložce

Přichycení kopírovací podložky k horním frézám Triton JOF001 a MOF001 (I)

1. Otočte Triton horní frézu spodní stranou nahoru a do polohy, kdy je hřídel zamčená
2. Pokud máte přichycenou stopkovou frézu, odstraňte ji
3. Pomocí vhodného šroubováku (není součástí balení) odšroubujte čtyři křížové šrouby, které přichycují černou plastovou vodičí desku horní frézy. Odstraňte vodičí desku
4. Vložte kopírovací podložku (2) do odpovídajícího zapuštění na vnitřní straně vodičí desky (tzn. mezi základnu horní frézy a vodičí desku)
5. Kopírovací podložku (2) umístěte nad upínací kleštinu v základně horní frézy

VAROVÁNÍ: Ujistěte se, že plastová vodičí deska je správně vycentrována na základně horní frézy a že všechny čtyři otvory pro šrouby jsou ve správné poloze

6. Našroubujte čtyři křížové šrouby zpět a dostatečně je utáhněte

VAROVÁNÍ: Neutahujte PŘÍLIŠ, mohli byste zničit vodičí desku

Přichycení kopírovací podložky k horní fréze Triton TRA001 (II)

1. Otočte Triton horní frézu spodní stranou nahoru a do polohy, kdy je hřídel zamčená
 2. Pokud máte přichycenou stopkovou frézu, odstraňte ji
 3. Pomocí vhodného šroubováku (není součástí balení) odšroubujte čtyři křížové šrouby, které přichycují černou plastovou vodičí desku horní frézy. Odstraňte vodičí desku
 4. Položte kopírovací podložku (1) na základnu horní frézy
- VAROVÁNÍ:** Ujistěte se, že všechny čtyři otvory pro šrouby jsou ve správné poloze vůči základně horní frézy
5. Na kopírovací podložku položte černou plastovou vodičí desku
 6. Našroubujte čtyři křížové šrouby zpět a dostatečně je utáhněte

VAROVÁNÍ: Neutahujte PŘÍLIŠ, mohli byste zničit vodičí desku

Připevnění kopírovacího kroužku ke kopírovací podložce

1. Do horní frézy upevněte stopkovou frézu a nastavte horní frézu tak, aby stopková fréza byla schovaná
2. Uvolněte dva šrouby M4 (4), odstraňte vyrovnávací kroužek (3) a na jeho místo vložte požadovaný kopírovací kroužek (5, A – H). Kopírovací kroužek upevněte objímkou směřující nahoru, směrem ven od těla horní frézy
3. Rukou pootočte stopkovou frézu, abyste se ujistili, že mezi stopkovou frézou a kopírovacím kroužkem je mezera

Připevnění kopírovacího kroužku Porter Cable ke kopírovací podložce

1. Uvolněte dva šrouby M4 (4) a odstraňte vyrovnávací kroužek (3) z kopírovací podložky
2. Kopírovací kroužek Porter Cable umístěte do zapuštěné části vyrovnávacího kroužku
3. Tuto konstrukci připevněte ke kopírovací podložce

Upevnění do stolu (III)

Poznámka: pokud frézujete podle šablony ve frézovacím stole, je třeba použít distanční vložku (6)

1. Z vašeho frézovacího stolu odstraňte kruhovou vložku
2. Odšroubujte čtyři šrouby M4 (4) a vyrovnávací kroužek (3) z kopírovací podložky (1 nebo 2) a do středu kopírovací podložky vložte distanční podložku (6), zapuštěnou částí nahoru
3. Pootočte tak, aby díry na šrouby byly ve správné poloze; našroubujte šrouby a požadovaný kopírovací kroužek (5, A – H)

Odstranění kopírovací podložky

- I když kopírovací kroužky nepoužíváte, kopírovací podložka (1 nebo 2) může být připevněna v horní fréze – většinu frézování, rukou vedeného nebo při upevnění do stolu, budete schopni provádět
- Pokud ale budete používat stopkové frézy s průměrem větším než 50 mm (2"), kopírovací podložku (1 nebo 2) bude muset odmontovat
- Pro odmontování postupujte je pokynů k přichycení, jen v opačném pořadí

Údržba

VAROVÁNÍ: Před změnami nastavení nářadí/čištěním vždy nářadí vypojte z elektrické sítě

- Pravidelně kontrolujte, že jsou všechny šrouby utažené. Vibrace je mohou v průběhu času uvolnit
- Pravidelně kontrolujte, že šrouby M4 (4) jsou pevně utaženy
- Pokud kopírovací kroužek nepoužíváte, zvažte odstranění šroubů M4 a vyrovnávacího kroužku (3) pro bezpečné skladování

Čištění

- Udržujte nářadí trvale v čistém stavu. Špína a prach mohou způsobit, že se vnitřní části rychleji opotřebí a zkrátí tak životnost výrobku. Tělo nářadí očistěte jemným kartáček nebo suchým hadrem. Pokud máte k dispozici čistý a suchý stlačený vzduch, použijte ho pro profouknutí ventilačních otvorů (jsou-li na nářadí)

Skladování

- Toto nářadí uchovávejte na bezpečném, suchém místě mimo dosah dětí.

Záruka

Pro registraci záruky navštivte naše webové stránky www.tritontools.com* a zadejte informace o výrobku. Vaše údaje budou uloženy (pokud tuto možnost nezakážete) a budou vám zasílány novinky. Vaše údaje neposkytneme žádné třetí straně.

Záznam o nákupu

Datum pořízení: ___ / ___ / ___

Model: TGA250

Kupní doklad uschovejte jako potvrzení zakoupení výrobku

Pokud se během 3-letá ode dne nákupu objeví závada výrobku společnosti Triton Precision Power Tools, která byla způsobena vadou materiálu nebo vadným zpracováním, Triton opraví nebo vymění vadný díl zdarma.

Tato záruka se nevztahuje na výrobky, které budou používány pro komerční účely, a dále na poškození, které je způsobeno neodborným použitím nebo mechanickým poškozením výrobku.

* Registrovat se během 30 dní od nákupu.

Změna podmínek vyhrazena.

Těmito podmínkami nejsou dotčena vaše zákonná práva.

Preklad originálneho návodu

Úvod

Ďakujeme za zakúpenie výrobku Triton. tento manuál obsahuje informácie nutné k bezpečnému používaniu a správne fungovaniu tohto výrobku. Tento výrobok ponúka mnoho jedinečných funkcií. Je možné, že ste už s podobným výrobkom pracovali, napriek tomu si však prečítajte tento manuál, aby ste naplno pochopili všetky inštrukcie. Uistite sa, že každý, kto s výrobkom pracuje, si tento manuál prečítal a porozumel mu.

Použité symboly



Používajte chrániče sluchu
Používajte ochranné okuliare
Používajte respirátory
Používajte ochranu hlavy



Prečítajte si návod



Pozor!



V súlade s príslušnou legislatívou a bezpečnostnými štandardmi.

Technické informácie

Kompatibilné horné frézy:	Triton Horné frézy JOF001, MOF001, TRA001
Kompatibilné kopírovacie krúžky:	všetky Triton kopírovacie krúžky a kopírovacie krúžky značky Porter Cable (adaptér je súčasťou tohto balenia)
Použité materiály:	mosadz, chrómovaná (kopírovacie krúžky) oceľ, chrómovaná (kopírovacie podložky) nylon (dištančná vložka)

Súčasťou balenia sú krúžky týchto priemerov:

	Vonkajší priemer	Vnútorý priemer
A	$\frac{5}{16}''$	$\frac{1}{4}''$
B	$\frac{3}{8}''$	$\frac{9}{32}''$
C	$\frac{7}{16}''$	$\frac{1}{2}''$
D	$\frac{1}{2}''$	$\frac{13}{32}''$
E	$\frac{5}{8}''$	$\frac{17}{32}''$
F	$\frac{5}{16}''$	$\frac{5}{8}''$
G	$\frac{3}{4}''$	$\frac{21}{32}''$
H	30mm	27mm

Bezpečnostné opatrenia

UPOZORNENIE: Prečítajte si všetky bezpečnostné varovania a inštrukcie. Neuposlúchnutie nasledujúcich varovaní môže spôsobiť úraz elektrickým prúdom, požiar a/alebo vážne poranenie!

UPOZORNENIE: Tento prístroj nesmie byť používaný osobami (vrátane detí) s telesným alebo mentálnym postihnutím. Ďalej ho nesmú používať osoby, ktoré majú nedostatok skúseností a znalostí, pokiaľ na ne nedohliada osoba zodpovedná za bezpečnosť alebo pokiaľ im neboli odovzdané inštrukcie na obsluhovanie zariadenia. Deti musia byť oboznámené s faktom, že sa s týmto prístrojom nesmú hrať.

Uchovajte všetky varovania a inštrukcie pre budúce používanie.

Pod výrazom „elektronáradie“ používaným v bezpečnostných opatreniach sa rozumie zariadenie zapojené do elektrickej siete (sieťovým káblom) alebo zariadenie, ktoré využíva batériový pohon (bez sieťového kábla).

1) Bezpečnosť pracovného miesta

a) Udržujte pracovné miesto čisté a dobre osvetlené.

Neporiadok alebo neosvetlené pracovné miesto môže viesť k úrazom.

b) Nepoužívajte elektronáradie v prostredí kde hrozí výbuch, kde sa nachádzajú horľavé kvapaliny, plyny alebo prach. Elektronáradie vytvára iskry, ktoré môžu prach alebo výpary zapáliť.

c) Deti a iné prihládajúce osoby udržujte pri používaní elektronáradia ďaleko od pracovného mesta. Pri rozptýlení môžete stratiť kontrolu nad prístrojom.

2) Bezpečná práca s elektrínou

a) Pripojovacia zástrčka elektronáradia musí zodpovedať zásuvke. Zástrčka nesmie byť žiadnym spôsobom upravovaná. Pri používaní elektronáradia s ochranným uzemnením nepoužívajte žiadne adaptérové zástrčky. Neupravené zástrčky a vhodné zásuvky znižujú pravdepodobnosť úrazu elektrickým prúdom.

b) Vyhnite sa telesnému kontaktu s uzemnenými povrchmi ako je potrubie, vykurovacie telesá, sporáky a chladničky. Ak je vaše telo uzemnené, hrozí zvýšené riziko úrazu elektrickým prúdom.

c) Chráňte zariadenie pred dažďom a vlhkom. Vniknutie vody do elektronáradia zvyšuje nebezpečenstvo úrazu elektrickým prúdom.

d) Dbajte na účel kábla, nepoužívajte ho na nosenie či vešanie elektronáradia alebo na vytiahnutie zástrčky zo zásuvky. Udržujte kábel ďaleko od tepla, oleja, ostrých hrán alebo pohyblivých dielov stroja. Poškodené alebo zamotané káble zvyšujú riziko zásahu elektrickým prúdom.

e) Pokiaľ pracujete s elektronáradim vonku, použite jedine také predizovacie káble, ktoré sú usposobené aj pre vonkajšie použitie. Použitie predizovacieho kábla, ktorý je vhodný na použitie vonku, znižuje riziko zásahu elektrickým prúdom.

f) Pokiaľ sa nedá vyhnúť použitiu elektronáradia vo vlhkom prostredí, použite prúdového chrániča. Použitie prúdového chrániča znižuje riziko zásahu elektrickým prúdom.

VAROVANIE: Pre použitie v Austrálii a na Novom Zélande ODPORÚČAME, aby bol tento výrobok vždy dodávaný spoločne s prúdovým chráničom so zvyškovým prúdom 30mA alebo menej.

3) Osobná bezpečnosť

a) Buďte pozorní, dávajte pozor na to, čo robíte a pristupujte k práci s elektronáradim rozume. Pokiaľ ste unavení, pod vplyvom drog, alkoholu alebo liekov, elektronáradie nepoužívajte. Moment nepozornosti pri použití elektronáradia môže viesť k vážnym poraniam.

b) Noste osobné ochranné pomôcky a vždy ochranné okuliare. Nosenie osobných ochranných pomôcok ako je maska proti prachu, bezpečnostná obuv s protišmykovou podrážkou, ochranná prilba alebo slúchadlá podľa druhu použitého elektronáradia znižuje riziko poranenia.

c) Zabráňte neúmyselnému uvedeniu zariadenia do prevádzky. Presvedčte sa, či je elektronáradie vypnuté skôr, než ho uchopíte, poniesite či pripojíte k zdroju prúdu a/alebo akumulátoru. Ak máte pri nesení elektronáradia prst na spínači, alebo pokiaľ stroj pripojíte k zdroju prúdu s už zapnutým vypínačom, môže dôjsť k úrazom.

d) Než elektronáradie zapnete, odstráňte nastavovacie náradie alebo skrutkovače. Nástroj alebo kľúč, ktorý sa nachádza v otáčavom diely stroja, môže viesť k úrazom.

e) Zaisťte si bezpečný postoj a vždy udržiajte rovnováhu. Tým môžete elektronáradie v neočakávaných situáciách lepšie kontrolovať.

f) Noste vhodný odev. Nenoste žiadny voľný odev alebo šperky. Vlasy, odev a rukavice udržiajte ďaleko od pohyblivých či dielov. Voľný odev, šperky alebo dlhé vlasy môžu byť zachytené pohyblivými sa dielmi.

g) Ak je možné namontovať odsávacie či zachytávacie zariadenia, presvedčte sa, že sú pripojené a správne používané. Použitie odsávania prachu môže znížiť ohrozenia spôsobené prachom.

4) Svedomitě zaobchádzanie a používanie elektronáradia

a) Prístroj nepreťažujte. Na prácu, ktorú vykonávate, použite na to určené elektronáradie. S vhodným elektronáradím zvládnete prácu lepšie a bezpečnejšie.

b) Nepoužívajte elektronáradie, ktorého spínač alebo privodný kábel je chybný. Elektronáradie, ktoré sa nedá zapnúť či vypnúť, je nebezpečné a musí sa opraviť.

c) Kým vykonáte zostavenie stroja, výmenu dielov príslušenstva alebo stroj odložíte, vytiahnite zástrčku zo zásuvky a/alebo odstráňte akumulátor. Toto preventívne opatrenie zabráni neúmyselnému zapnutiu elektronáradia.

d) Nepoužívajte elektronáradie uchovávajte mimo dosah detí. Stroj nedovoľte používať osobám, ktoré so strojom nie sú oboznámené alebo nečítali tieto pokyny. Elektronáradie je nebezpečné, ak je používané neskusenými osobami.

e) Svedomitě sa o elektronáradie starajte. Skontrolujte, či pohyblivé diely stroja fungujú bezchybne a nie sú vzpričené, či diely nie sú zlomené alebo poškodené tak, že je obmedzená funkcia elektronáradia. Poškodené diely nechajte pred opätovným použitím prístroja opraviť. Mnoho úrazov je zapríčinených zlou údržbou elektronáradia.

f) Rezné nástroje udržiajte ostré a čisté. Riziko vzpričenia správne ošetrovaných rezných nástrojov s ostrými reznými hranami je menšie, a takto ošetrované nástroje sa ľahšie vedú.

g) Používajte elektronáradie, príslušenstvo, nasadzovacie nástroje a pod. podľa týchto pokynov. Rešpektujte pritom pracovné podmienky a vykonávanú činnosť. Používanie elektronáradia na iné než určené použitie môže viesť k nebezpečným situáciám.

5) Servis

a) Svoje elektronáradie nechávajte opraviť výhradne certifikovaným odborným personálom za použitia výhradne originálnych náhradných dielov. Tým bude zaisťené, že bezpečnosť stroja zostane zachovaná.

VAROVANIE: Pred zapojením náradia do elektrickej siete (napájací zdroj, zásuvka pod.) sa uistite, že napájacie napätie je rovnaké, ako je uvedené na typovom štítku náradia. Napájací zdroj s napätím vyšším, než je uvedené na náradí, môže viesť k vážnemu poraneniu užívateľa a poškodenie náradia. Ak máte pochybnosti, nepripájajte náradie do siete. Použitie napájacieho zdroja s napätím nižším ako na typovom štítku škodí motoru.

Popis dielov

1. Kopírovacia podložka
(pasuje k Triton hornej fréze - model TRA001)
2. Kopírovacia podložka
(pasuje k Triton hornej fréze - model MOF001 a JOF001)
3. Vyrovnávací krúžok
(a adaptér pre kopírovacie krúžky Porter Cable)
4. 4 skrutky M4
5. Kopírovacie krúžky
6. Dištančná vložka

Odporúčané použitie

Súprava príslušenstva pre montáž kopírovacích krúžkov k Triton horným frézam, pre frézovanie podľa šablóny a pri použití vlastných vodiacich prvkov. Set obsahuje kopírovacie krúžky rôznych priemerov, kopírovacie podložky a dištančnú vložku pre použitie vo frézovacích stoloch.

Vybalenie vášho náradia

- Náradie opatrne vybalte a skontrolujte. Oboznámte sa so všetkými jeho vlastnosťami a funkciami.
- Uistite sa, že v balení boli všetky diely a že sú v poriadku. Pokiaľ by niektorý diel chýbal alebo bol poškodený, nechajte si tento diel vymeniť pred tým, než s náradím začnete pracovať.

Pred použitím

Poznámka: Aby ste mohli používať kopírovacie krúžky (5, A - H) pre frézovanie podľa šablóny, musíte najskôr pripnúť kopírovaciu podložku (1 alebo 2) k vašej hornej fréze Triton.

Priprava kopírovacej podložky

1. Vyberte správnu kopírovaciu podložku (1 alebo 2), ktoré pasuje do vašej hornej frézy Triton (viď. "Popis dielov")
2. Naskrutkujte (neufahujte) dve skrutky M4 (4) do dier v zníženej časti kopírovaciej podložky; pod hlavičkou každej skrutky ponechajte medzeru cca 3 mm
3. Nasadte vyrovnávací krúžok (3), zapustenú stranu nahor, do stredu kopírovacej podložky tak, aby oba výrezy boli v zákrtye s hlavičkami skrutiek
4. Pootočte vyrovnávacím krúžkom, až výrezy budú mimo hlavičky skrutiek; potom skrutky utiahnite pomocou vhodného skrutkovača (nie je súčasťou balenia), aby ste prichytili vyrovnávací krúžok ku kopírovacej podložke

Prichytenie kopírovacej podložky k horným frézam Triton JOF001 a MOF001 (I)

1. Otočte Triton hornou frézu spodnou stranou nahor a do polohy, kedy je hriadeľ zamknutá
2. Ak máte prichytenú stopkovou frézu, odstráňte ju
3. Pomocou vhodného skrutkovača (nie je súčasťou balenia) odskrutkujte štyri krížové skrutky, ktoré prichytávajú čiernu plastovú vodiacu dosku hornej frézy. Odstráňte vodiacu dosku
4. Vložte kopírovaciu podložku (2) do zodpovedajúceho zapustenia na vnútornej strane vodiacej dosky (tzn. medzi základňu hornej frézy a vodiacu dosku)
5. Kopírovaciu podložku (2) umiestnite nad upínaciu klieštinu v základni hornej frézy

VAROVANIE: Uistite sa, že plastová vodiaca doska je správne vycentrovaná na základni hornej frézy a že všetky štyri otvory pre skrutky sú v správnej polohe

6. Naskrutkujte štyri krížové skrutky späť a dostatočne ich utiahnite

VAROVANIE: Neufahujte PRÍLIŠ, mohli by ste zničiť vodiacu dosku

Prichytenie kopírovacej podložky k hornej fréze Triton TRA001 (II)

1. Otočte Triton hornou frézu spodnou stranou nahor a do polohy, kedy je hriadeľ zamknutá
 2. Ak máte prichytenú stopkovou frézu, odstráňte ju
 3. Pomocou vhodného skrutkovača (nie je súčasťou balenia) odskrutkujte štyri krížové skrutky, ktoré prichytávajú čiernu plastovú vodiacu dosku hornej frézy. Odstráňte vodiacu dosku
 4. Položte kopírovaciu podložku (1) na základňu hornej frézy
- VAROVANIE:** Uistite sa, že všetky štyri otvory pre skrutky sú v správnej polohe voči základni hornej frézy
5. Na kopírovaciu podložku položte čiernu plastovú vodiacu dosku
 6. Naskrutkujte štyri krížové skrutky späť a dostatočne ich utiahnite

VAROVANIE: Neufahujte PRÍLIŠ, mohli by ste zničiť vodiacu dosku

Pripevnenie kopírovacieho krúžku ku kopírovacej podložke

1. Do hornej frézy upevnite stopkovou frézu a nastavte hornú frézu tak, aby stopková fréza bola schovaná
2. Uvoľnite dve skrutky M4 (4), odstráňte vyrovnávací krúžok (3) a na jeho miesto vložte požadovaný kopírovací krúžok (5, A - H). Kopírovací krúžok upevnite objímkou smerujúci nahor, smerom von od tela hornej frézy
3. Rukou pootočte stopkovou frézu, aby ste sa uistili, že medzi stopkovou frézu a kopírovacím krúžkom je medzera

Pripevnenie kopírovacieho krúžku Porter Cable ke kopírovacej podložke

1. Uvoľnite dve skrutky M4 (4) a odstráňte vyrovnávací krúžok (3) z kopírovacej podložky
2. Kopírovací krúžok Porter Cable umiestnite do zapustenej časti vyrovnávacieho krúžku
3. Túto konštrukciu pripevnite ke kopírovacej podložke

Upevnenie do stola (III)

Poznámka: Ak frézujete podľa šablóny vo frézovacom stole, je potrebné použiť dištančnú vložku (6)

1. Z vášho frézovacieho stola odstráňte kruhovú vložku
2. Odskrutkujte štyri skrutky M4 (4) a vyrovnávací krúžok (3) z kopírovacej podložky (1 alebo 2) a do stredu kopírovacej podložky vložte dištančnú podložku (6), zapustenú časť hore
3. Pootočte tak, aby diery na skrutky boli v správnej polohe; naskrutkujte skrutky a požadovaný kopírovací krúžok (5. A - H)

Odstránenie kopírovacej podložky

- Aj keď kopírovacie krúžky nepoužívate, kopírovacia podložka (1 alebo 2) môže byť pripútená v hornej fréze - väčšinu frézovania, rukou vedeného alebo pri upevnení do stola, budete schopní vykonávať
- Pokiaľ ale budete používať stopkové frézy s priemerom väčším ako 50 mm (2"), kopírovaciu podložku (1 alebo 2) bude musieť odmontovať
- Pre odmontovanie postupujte je pokynov na prichytenie, len v opačnom poradí

Údržba

VAROVANIE: Pred zmenami nastavenia náradia / čistením vždy náradie vypojte z elektrickej siete

- Pravidelne kontrolujte, či sú všetky skrutky utiahnuté. Vibrácie ich môžu v priebehu času uvoľniť
- Pravidelne kontrolujte, že skrutky M4 (4) sú pevne utiahnuté
- Ak kopírovací krúžok nepoužívate, zväzte odstránenie skrutiek M4 a vyrovnávacieho krúžku (3) pre bezpečné skladovanie

Čistenie

- Udržujte náradie trvale v čistom stave. Špina a prach môžu spôsobiť, že sa vnútorné časti rýchlejšie opotrebnú a skráti tak životnosť výrobku. Telo náradia očistite jemnou kefkou alebo suchou handrou. Pokiaľ máte k dispozícii čistý a suchý stlačený vzduch, použite ho pre prefúknuť ventiláčnych otvorov (ak sú)

Skladovanie

- Toto elektronáradie skladujte na zabezpečenom suchom mieste mimo dosah detí.

Orijinal talimatların çevirisi

Giriş

Bu TRITON el aletini satın aldığınız için teşekkür ederiz. Bu el kitabında bu ürünü güvenli ve yararlı şekilde kullanmak için gereken bilgiler bulunmaktadır. Bu ürünün kendine özgü özellikleri vardır ve benzer ürünleri yakından tanıyor olsanız bile talimatları tamamen anlayabilmeniz için bu el kitabını dikkatle okumanız gerekir. Bu el aletini kullanan herkesin bu el kitabını okuyup iyice öğrenmesini sağlayınız.

Sembollerin açıklaması



Kulak koruyucu kullanın
Göz koruyucu kullanın
Solunum koruyucu kullanın
Kafa koruyucu kullanın



Talimat el kitabını okuyun



Dikkat!

Sembollerin açıklaması

Uygun frezeler:	Triton Precision Dalma Testereler JOF001, MOF001, TRA001
Uygun kılavuz burçlar:	tüm Triton kılavuz burçlar ve Porter Cable kılavuz burçlar (adaptör dâhil)
Malzemeler:	pirinç, krom kaplama (kılavuz burçlar) çelik, krom kaplama (kılavuz plakalar) naylon (tabla mesafe parçası)

Birlikte verilen kılavuz burç çapları:

	Dış çap	İç çap
A	$\frac{5}{16}$ "	$\frac{1}{4}$ "
B	$\frac{3}{8}$ "	$\frac{9}{32}$ "
C	$\frac{7}{16}$ "	$\frac{11}{32}$ "
D	$\frac{1}{2}$ "	$\frac{13}{32}$ "
E	$\frac{5}{8}$ "	$\frac{17}{32}$ "
F	$\frac{51}{64}$ "	$\frac{9}{8}$ "
G	$\frac{3}{4}$ "	$\frac{21}{32}$ "
H	30 mm	27 mm

Genel güvenlik

UYARI Tüm güvenlik uyarılarını ve tüm talimatları okuyun.

Uyarılara ve talimatlara uyulmaması elektrik çarpmasına, yangına ve/veya ağır yaralanmaya yol açabilir.

UYARI: Fiziksel veya akılsal yetenek eksikliği bulunan (çocuklar dâhil) veya yeterli deneyimi ve bilgisi olmayan kişiler, kendilerinin güvenliğinden sorumlu bir kişi tarafından cihazın kullanımını için gözetim ve bilgi sağlanmadığı sürece bu cihazı kullanmamalıdır. Çocukların bu cihaz ile oynamasına dikkat edilmelidir.

Tüm uyarıları ve talimatları ilerde kullanabilmek için saklayınız.

Uyarılardaki "elektrikli el aleti" terimi elektik şebekesinden çalışan (kablolu) elektrikli el aleti veya batarya ile çalışan (kablesuz) elektrikli el aleti anlamına gelmektedir.

Çalışma alanının güvenliği

- Çalışma alanını temiz ve iyice aydınlatılmış halde tutun.** Dağınık veya karanlık yerler kazaları davet eder.
- El aletlerinin yanıcı sıvılar, gazlar veya toz içeren ortamlar gibi patlayıcı atmosferlerde çalışmıyın.** Elektrikli el aletleri tozu ve dumanları tutuşturabilecek kıvılcımlar çıkarır.
- Elektrikli aletleri çalıştırırken çocukları ve izleyicileri uzaktaki tutun.** Dikkati dağıtan şeyler kontrolü kaybetmenize neden olabilir.

Elektrik güvenliği

- Elektrikli el aletlerinin fişleri prize uygun olmalıdır.** Fişi asla hiçbir şekilde değişikliğe uğratmayın. Topraklanmış (topraklı) elektrikli el aletleri ile hiçbir adaptör fiş kullanmayın. Değişikliğe uğratılmamış fişler ve fişe uygun prizler elektrik çarpması riskini azaltır.
- Borular, radyatörler, fırınlar ve buzdolapları gibi topraklanmış veya topraklı yüzeylere vücut ile temas etmekten kaçının.** Vücutunuz topraklandığı zaman elektrik çarpması riski artar.
- Elektrikli el aletlerini yağmura veya ıslak koşullara açık bırakmayın.** Elektrikli el aletine su girmesi elektrik çarpması riskini artırır.
- Kablolu yanlışı şekilde kullanmayın.** Elektrikli el aletini taşımak, fişi takmak veya çıkarmak için asla kablolu kullanmayın. Kablolu ısı, yağ, keskin kenarlar veya hareketli parçalardan uzak tutun. Hasar gören veya düğümlenen kablolar elektrik çarpması riskini artırır.
- Elektrikli bir el aletini dış mekânda kullanırken dış mekânda kullanmaya uygun bir uzatma kablosu kullanın.** Dış mekânda kullanıma uygun bir kablo kullanmak elektrik çarpması riskini azaltır.
- Elektrikli bir el aletini nemli bir yerde kullanmak zorunlu ise bir kaçak akım cihazı (RCD) ile korunan bir kaynak kullanın.** RCD kullanmak elektrik çarpması riskini azaltır.

UYARI: Avustralya'da veya Yeni Zelanda'da kullanıldığı zaman bu el aletine DAİMA 30 mA veya daha az nominal kaçak akım değerine sahip bir Kaçak Akım Cihazı (RCD) takılması tavsiye edilir.

Kişisel güvenlik

- Elektrikli aletleri çalıştırırken tetikte olun, yaptığınızı şeye dikkat edin ve sağduyunuzun kullanın.** Yorgun veya uyuşmuş, alkolün veya bir tedavinin etkisinde olduğunuz zaman elektrikli alet kullanmayın. Elektrikli alet kullanırken bir anlık dikkatsizlik ağır yaralanmaya yol açabilir.
- Giysilerinizi koruyucu donanım kullanın.** Daima göz koruyucu giyin. Gerekli koşullar için kullanılan toz maskesi, kaymaz güvenlik pabucu, baret veya işitme koruyucu gibi koruyucu donanım yararlanmalısınız azaltır.

c) El aletinin istenmeden çalıştırılmasını önleyin. Güç kaynağına ve/veya batarya grubuna bağlanmadan önce veya el aletini toplayıp taşımadan önce düğmenin kapalı olduğunu kontrol edin. Elektrikli el aletlerini parmağınız düğmenin üzerinde olacak şekilde taşımak veya anahtar üzerinde iken elektrikli el aletlerine enerji vermek kazaları davet eder.

d) Elektrikli el aletini çalıştırmadan önce tüm ayarlama anahtarlarını veya kollarını çıkarın. El aletinin dönen bir kısmına takılı olarak bırakılan bir anahtar veya kol yaralanmaya neden olabilir.

e) Çok fazla ileriye uzanmayın. Desteğinizi ve dengeyi daima uygun şekilde koruyun. Bu, beklenmeyen durumlarda aletin daha iyi kontrol edilmesini sağlar.

f) Uygun giysi giyin. Gevşek giysiler veya takı kullanmayın. Saçınızı, giysinizi ve eldivenlerinizi hareketli parçalardan uzak tutun. Hareketli parçalar, gevşek giysileri, takıları veya uzun saçı yakalayabilir.

g) Toz uzaklaştırma ve toplama olanaklarına bağlı olarak yapmak için cihazlar verilmiş ise bunları bağlayıp gereken şekilde kullanmaya dikkat edin. Toz toplama olanağının kullanılması toz ile ilişkili tehlikeleri azaltabilir.

Elektrikli el aletinin kullanımı ve bakımı

- Elektrikli el aletini zorlamayın.** İşiniz için doğru elektrikli el aletini kullanın. Doğru elektrikli el aleti bir işi daha iyi ve daha güvenli şekilde ve gerçekleştirme için tasarlandığı hızda yapar.
- Düğme elektrikli el aletini açıp kapatıyorsa aleti kullanmayın.** Düğme ile kontrol edilmeyen bir elektrikli el aleti tehlikelidir ve tamir edilmelidir.
- Elektrikli el aletlerinde ayar yapmadan, aksesuarları değiştirmeden veya saklamadan önce aletini fişini güç kaynağından ve/veya batarya grubundan çekin.** Bu gibi önleyici güvenlik önlemleri elektrikli el aletinin kazara çalıştırılması riskini azaltır.
- Kullanılmayan elektrikli el aletlerini çocukların ulaşamayacağı bir yerde saklayın ve elektrikli el aletini veya bu talimatları iyice bilmeyen kişilerin aleti kullanmasına izin vermeyin.**

Elektrikli el aletleri eğitim almamış kullanıcıların elinde tehlikeli olur.

e) Elektrikli el aletlerine bakım yapın. Hareketli kısımlarda hıza kaçıklığı veya sıkışma, parçalarda kırılma ve el aletinin çalışmasını etkileyebilecek başka bir durum olup olmadığını kontrol edin. El aleti hasar görmüş ise kullanmadan önce tamir ettirin. Kazaların birçoğuna iyi bakım yapılmayan el aletleri neden olmaktadır.

f) Kesici aletleri keskin ve temiz bulundurun. Kesici kenarları keskin olan iyi bakım gören kesici aletlerin sıkışma olasılığı daha azdır ve daha kolay kontrol edilir.

g) El aletini, aksesuarlarını ve el uçlarını vb., çalışma koşullarını ve yapılacak işi dikkate alarak bu talimatlara göre kullanın. El aletinin amaçlanan işlemler dışındaki işler için kullanılması tehlikeli durumlara yol açabilir.

Servis

a) El aletinize yalnızca tamamen aynı yedek parçalar kullanılarak ehliyetli bir tamirci tarafından servis yapılmasını sağlayın. Bu, el aletinin güvenliğinin sürdürülmesini sağlar.

DİKKAT: Bir el aletini bir güç kaynağına (şebeke şalteri elektrik prizi, duvar prizi, vb.) bağlamadan önce beslenen voltaj ile el aletinin künyesinde belirtilen voltajın aynı olduğunu kontrol edin. El aleti için belirtilenden daha yüksek voltajdaki bir güç kaynağı kullanıcının ağır yaralanmasına ve el aletini zarar görmesine yol açabilir. Kuşku duyduğunuz takdirde el aletinin fişini takmayın. Künyeye değeri daha düşük voltajda bir güç kaynağı kullanmak motor için zararlıdır.

Ürünün tanıtılması

1. Kılavuz plaka
(Triton freze model TRA001 için)
2. Kılavuz plaka
(Triton freze modeller MOF001 ve JOF001 için)
3. Hizalama Burcu
(ve Porter Cable kılavuz burç adaptörü)
4. M4 Vidalar
5. Kılavuz Burçlar
6. Tabla Mesafe Parçası

Kullanım amacı

Freze tablalarında çalışmak için farklı çapta kılavuz burçlar, kılavuz plakalar ve mesafe parçaları içeren, kılavuz burçları Triton dalma frezelere takmak, şablon ile freze yapmak ve alışılmış mastarları kullanmak için aksesuar takımı.

El aletinizin ambalajının açılması

- El aletinizin ambalajını dikkatle takin ve muayene edin. Tüm özelliklerini ve fonksiyonlarını iyice öğrenin
- El aletin tüm parçalarının mevcut olduğunu ve iyi durumda olduklarını kontrol edin. Eksik veya hasarlı parçalar olduğu takdirde bu aleti kullanmaya başlamadan önce bunların değiştirilmesini sağlayın

Kullanmadan önce

Not: Şablon ile freze yapmak üzere Kılavuz Burçları (5, A – H) kullanabilmek için önce Triton frezenizin kaidesine Kılavuz Plakayı (1 veya 2) takmanız gerekir.

Kılavuz plakanın hazırlanması

1. Triton freze modelinize uygun olan doğru Kılavuz Plakayı (1 veya 2) seçin ('Ürünün Tanıtılması' bölümüne bakın)
2. İki adet M4 Vidayı (4) Kılavuz Plakanın çukur tarafındaki deliklere gevşek şekilde takın ve her vidanın başının altında 3 mm'lik bir boşluk bırakın
3. Hizalama Burcunu (3), çukur tarafı yukarıda kalacak şekilde ve iki çentiği vida başları ile hizalayarak Kılavuz Plakanın ortasına yerleştirin
4. Hizalama Burcunu, çentikler vida başlarının hizasında olmayacak şekilde döndürün ve ardından uygun bir tornavida (temin edilmemektedir) ile vidaları sıkarak Hizalama Burcunu Kılavuz Plakaya sabitleyin

Kılavuz plakanın Triton JOF001 ve MOF001 dalma frezelere takılması (I)

1. Triton frezeyi ters çevirin ve kovanın kilitli olduğu duruma daldırın
2. Freze ucu takılı ise çıkarın
3. Uygun bir tornavida (temin edilmemektedir) kullanarak, siyah plastik taban plakasını sabitleyen dört adet yıldız başlı vidayı sökün. Taban plakasını çıkarın.
4. Kılavuz Plakayı (2), plastik taban plakasının iç yüzündeki ilgili çukura yerleştirin (yani freze tabanı ile taban plakası arasında, Şekil A'ya bakın)
5. Kılavuz Plakayı (2) freze tabanındaki freze kovanının üzerine yerleştirin

DIKKAT: Plastik taban plakasının freze tabanında ortaya gelmesine ve dört vida deliğinin hepsini doğru şekilde hizalamaya dikkat edin.

6. Dört adet yıldız başlı vidanın hepsini tekrar takın ve iyice sıkın

DIKKAT: Taban plakasını çarpıtılabileceği için çok aşırı şekilde SIKMAYIN.

Kılavuz plakanın Triton TRA001 dalma frezeze takılması (II)

1. Triton frezeyi ters çevirin ve kovanın kilitli olduğu duruma daldırın
2. Freze ucu takılı ise çıkarın
3. Uygun bir tornavida (temin edilmemektedir) kullanarak, siyah plastik taban plakasını sabitleyen dört adet yıldız başlı vidayı sökün. Taban plakasını çıkarın
4. Kılavuz Plakayı (1), freze tabanındaki freze kovanının üzerine yerleştirin

DIKKAT: Kılavuz Plakadaki tüm deliklerin freze tabanındaki karşılık delikler ile hizalanmasına dikkat edin.

5. Plastik taban plakasını Kılavuz Plaka ile arada sıkıştırın
6. Dört adet yıldız başlı vidanın hepsini tekrar takın ve iyice sıkın

DIKKAT: Taban plakasını çarpıtılabileceği için çok aşırı şekilde SIKMAYIN.

Kılavuz burcun kılavuz plakaya takılması

1. Freze kovanına bir kesme ucu takın ve kesme ucu gizleninceye kadar dalmayı ayarlayın
2. İki adet M4 Vidayı (4) gevşetin, Hizalama Burcunu (3) çıkarın ve bunun yerine gerekli Kılavuz Burcu (5, A – H) takın. Kılavuz burcu, halka üstte kalacak ve freze gövdesinden dışarıya bakan şekilde takın
3. Kesme ucunu el ile döndürerek kesme ucu ile kılavuz burç arasında kesintisiz bir açıklık bulunduğunu kontrol edin

Porter Cable kılavuz burçlarının kılavuz plakaya takılması

1. M4 Vidaları (4) gevşetin ve Hizalama Burcunu (3) Kılavuz Plakadan (1 veya 2) çıkarın
2. Porter Cable kılavuz burcunu Hizalama Burcunun çukur tarafına takın
3. Bu grubu Kılavuz Plakaya takın

Tablaya monte ederek kullanma (III)

Not: Bir freze tablasında şablon ile freze yapmak için Tabla Mesafe Parçası (6) gerekir.

1. Freze tablanızdaki geçme halkayı çıkarın
2. M4 Vidaları (4) ve Hizalama Burcunu (3) Kılavuz Plakadan (1 veya 2) çıkarın ve Tabla Mesafe Parçasını (6) çukur taraf yukarıya bakan şekilde Kılavuz Plakanın ortasına yerleştirin
3. Vida deliklerini hizalayın ve vidaları ve gerekli Kılavuz Burcu (5, A – H) takın

Kılavuz plakanın çıkarılması

- Freze gerek el ile gerek tabla ile kullanılırken, Kılavuz Plaka (1 veya 2), şablon kılavuzlar kullanılmadığı zaman bile kesme işlemlerinin çoğunda frezeze takılı kalabilir
- Ancak çapı 50 mm'den (2") büyük kesme uçları kullanıldığı zaman Kılavuz Plakanın (1 veya 2) çıkarılması gerekir
- Kılavuz plakayı çıkarmak için yukarıdaki takma talimatını ters yönde izleyin

Bakım

UYARI: Bir bakım/temizlik yapmadan önce el aletlerini daima güç kaynağından ayırın.

- Tüm sabitleme vidalarının sıkılı olduğu düzenli şekilde kontrol edin. Titreşim yüzünden bunlar zamanla gevşeyebilir
- M4 Vidaların (4) iyice sıkı olduğunu düzenli şekilde kontrol edin
- Kılavuz burç kullanılmayan zamanlarda M4 Vidaları ve Hizalama Burcunu (3) çıkararak güvenli şekilde saklamayı ihmal etmeyin

Temizleme

- El aletinizi daima temiz tutun. Kir ve toz iç parçaların hızla aşınmasına yol açar ve aygıtın hizmet ömrünü kısaltır. Makinenizin gövdesini yumuşak bir fırça veya kuru bez ile temizleyin. Var ise temiz ve kuru basınçlı hava kullanarak havalandırma deliklerini üfleyin (geçerli olan yerde)

Saklama

- Bu aletini çocukların erişemeyeceği şekilde kuru, güvenli bir yerde dikkatle saklayın

Garanti

Garantinizi tescil ettirmek için www.tritontools.com adresindeki web sitemizi ziyaret ederek bilgilerinizi giriniz *.

Size ait bilgiler ilerideki yayınlar hakkında bilgi vermek üzere posta listemize dâhil edilecektir (aksi belirtilmediği takdirde). Verilen bilgiler hiç bir üçüncü tarafa iletilmeyecektir.

Satin alma kayıtları

Satin Alma Tarihi: ___ / ___ / ___

Model: TGA250

Makbuzunuzu satın alma kanıtı olarak saklayınız

Triton Precision Power Tools, ilk satın alma tarihinden itibaren 3 YIL süre içinde hatalı malzemeler veya işçilik yüzünden herhangi bir parçanın kusurlu çıkması durumunda Triton'un hatalı parçayı ücretsiz olarak tamir edeceğini veya kendi takdirine göre değiştireceğini bu ürünü satın alan kişiye garanti eder.

Bu garanti ticari kullanım için geçerli olmadığı gibi normal aşınmayı ve yıpranmayı veya kaza, kötüye kullanma veya yanlış kullanma yüzünden oluşan hasarı içermez.

* 30 gün içinde çevirim içi olarak tescil yaptırın.

Kurallar ve koşullar geçerlidir.

Bunlar sizin yasal haklarınızı etkilemez

