

triton

650W Portable Oscillating Spindle Sander

TSPSP 650

GB Operating & Safety Instructions

NL Bedienings- en veiligheidsvoorschriften

IT Istruzioni per l'uso e la sicurezza

PL Instrukcja obsługi i bezpieczeństwa

CZ Provozní a bezpečnostní pokyny

FR Instructions d'utilisation et consignes de sécurité

ES Instrucciones de uso y de seguridad

RU Инструкции по эксплуатации и правила техники безопасности

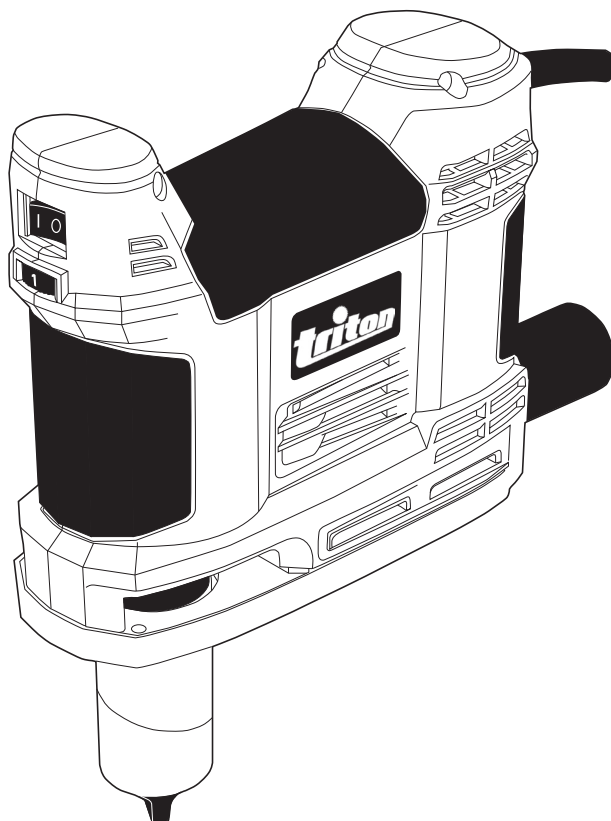
SK Prevádzkové a bezpečnostné pokyny

DE Gebrauchs- und Sicherheitsanweisung

PT Instruções de Operação e Segurança

HU Kezelési és biztonsági utasítások

TR Çalışma ve Güvenlik Talimatları

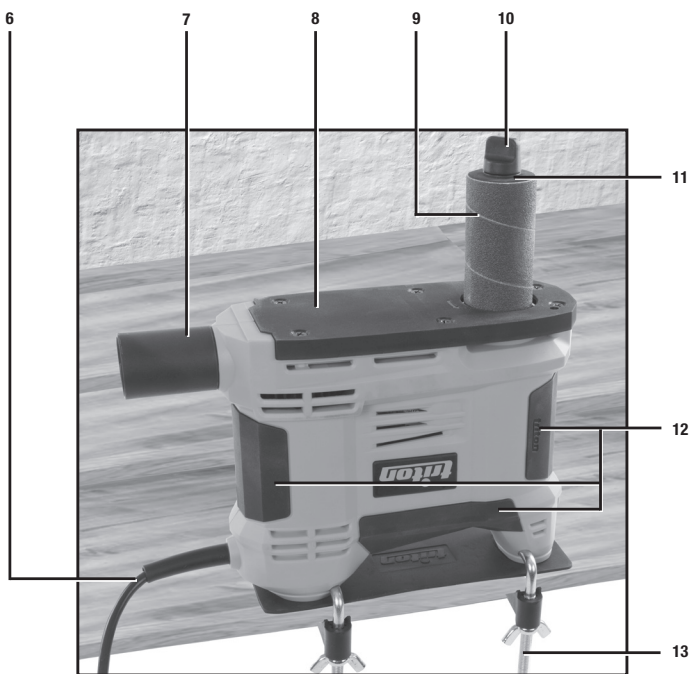


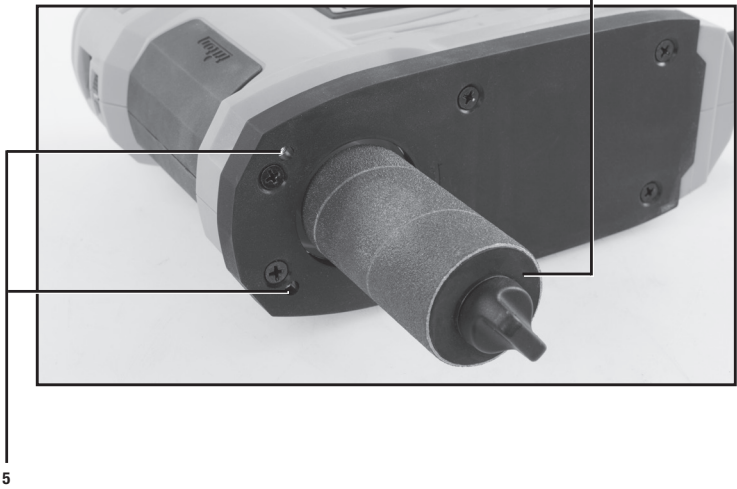
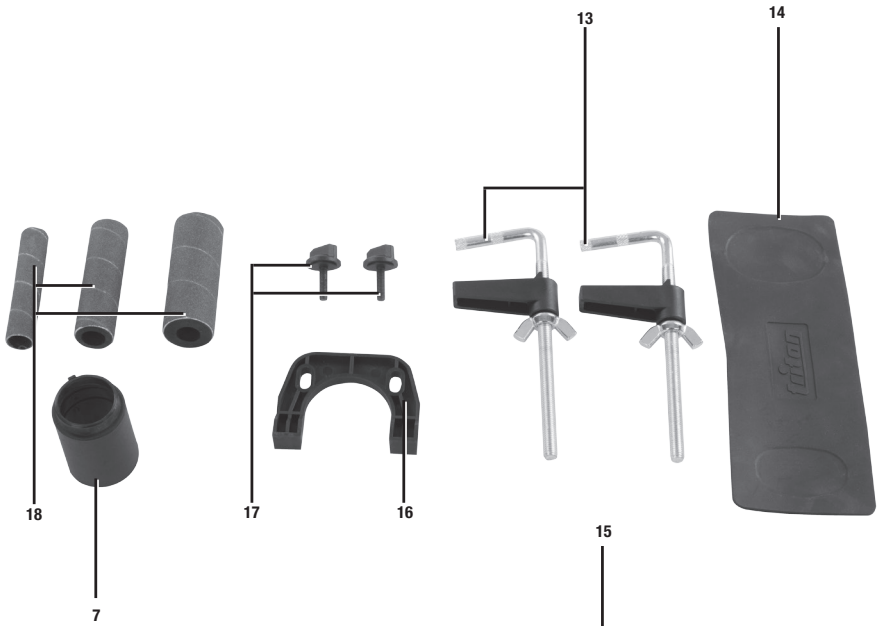
Version date: 18.05.17

Designed
in Europe

tritontools.com







A



B



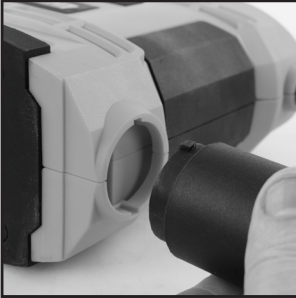
C



D



E



F

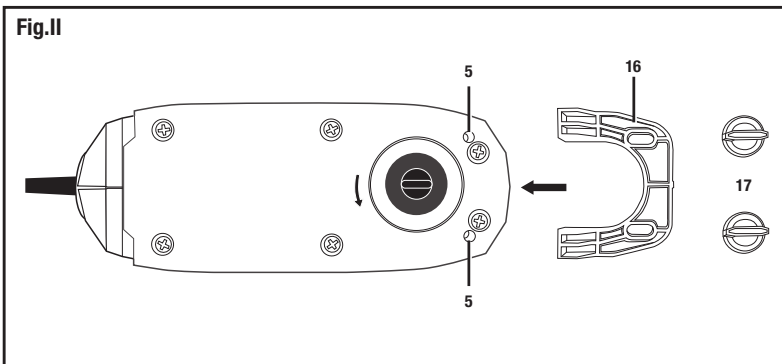
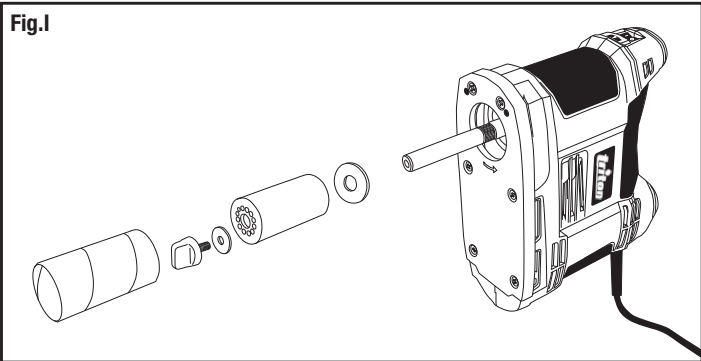
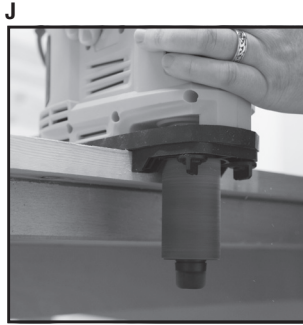


G



H





Original Instructions

Introduction

Thank you for purchasing this Triton product. This manual contains information necessary for safe and effective operation of this product. This product has unique features and, even if you are familiar with similar products, it is necessary to read this manual carefully to ensure you fully understand the instruction. Ensure all users of the tool read and fully understand this manual.

Description of Symbols

The rating plate on your tool may show symbols. These represent important information about the product or instructions on its use.



Wear hearing protection
Wear eye protection
Wear breathing protection
Wear head protection



Wear hand protection



Read instruction manual



Dust extraction required or recommended



For indoors use only!



Always disconnect from the power supply when adjusting, changing accessories, cleaning, carrying out maintenance and when not in use!



Class II construction (double insulated for additional protection)



Environmental Protection

Waste electrical products should not be disposed of with household waste. Please recycle where facilities exist. Check with your local authority or retailer for recycling advice.



Conforms to relevant legislation and safety standards.



Caution!




Toxic fumes or gases!

Technical Abbreviations Key

V	Volts
~, AC	Alternating current
A, mA	Ampere, milli-Amp
n ₀	No load speed
opm	Orbits or oscillations per minute
Ø	Diameter
Hz	Hertz
W, kW	Watt, kilowatt
/min or min ⁻¹	Operations per minute
rpm	Revolutions per minute
dB(A)	Decibel sound level (A weighted)
m/s ²	Metres per second squared (vibration magnitude)

Specification

Model number	TSPSP650
Voltage	EU 230V-240V
Power	650W
No load speed	1800–3200min ⁻¹
Spindle oscillations	50–90opm
Stroke length	6.5mm
Sleeve length	76mm (3")
Sleeve diameters	Ø13mm, Ø19mm, Ø26mm, Ø38mm (½", 1", 1 ½")
Protection class	
Ingress protection	IP20
Power cord length	2m (6')
Dimensions (L x W x H)	262 x 84 x 261mm
Weight	2.2kg (4.85lbs)
Sound and vibration information	
Sound pressure L _{PA}	86.4dB(A)
Sound power L _{WA}	97.4dB(A)
Uncertainty K	3dB
Weighted vibration a _w	4.874m/s ²
Uncertainty K	1.5m/s ²
The sound intensity level for the operator may exceed 85dB(A) and sound protection measures are necessary.	

As part of our ongoing product development, specifications of TRITON products may alter without notice.

WARNING: Always wear ear protection where the sound level exceeds 85dB(A) and limit the time of exposure if necessary. If sound levels are uncomfortable, even with ear protection, stop using the tool immediately and check the ear protection is correctly fitted and provides the correct level of sound attenuation for the level of sound produced by your tool.

WARNING: User exposure to tool vibration can result in loss of sense of touch, numbness, tingling and reduced ability to grip. Long term exposure can lead to a chronic condition. If necessary, limit the length of time exposed to vibration and use anti-vibration gloves. Do not operate the tool with hands below a normal comfortable temperature, as vibration will have a greater effect. Use the figures provided in the specification relating to vibration to calculate the duration and frequency of operating the tool.

Sound and vibration levels in the specification are determined according to international standards. The figures represent normal use for the tool in normal working conditions. A poorly maintained, incorrectly assembled, or misused tool may produce increased levels of noise and vibration. www.osha.europa.eu provides information on sound and vibration levels in the workplace that may be useful to domestic users who use tools for long periods of time.

General Safety

WARNING: Read all safety warnings and all instructions. Failure to follow the warnings and instructions may result in electric shock, fire and/or serious injury.

WARNING: This power tool is not intended for use by persons (including children) with reduced physical or mental capabilities, or lack of experience or knowledge unless they have been given supervision or instruction concerning use of the appliance by a person responsible for their safety. Children must be supervised to ensure that they do not play with the power tool.

Save all warnings and instructions for future reference.

The term 'power tool' in the warnings refers to your mains-operated (corded) power tool or battery-operated (cordless) power tool.

Work area safety

- Keep work area clean and well lit. Cluttered or dark areas invite accidents.
- Do not operate power tools in explosive atmospheres, such as in the presence of flammable liquids, gases or dust. Power tools create sparks that may ignite the dust or fumes.
- Keep children and bystanders away while operating a power tool. Distractions can cause you to lose control.

Electrical safety

- Power tool plugs must match the outlet. Never modify the plug in any way. Do not use any adapter plugs with earthed (grounded) power tools. Unmodified plugs and matching outlets will reduce risk of electric shock.
- Avoid body contact with earthed or grounded surfaces, such as pipes, radiators, ranges and refrigerators. There is an increased risk of electric shock if your body is earthed or grounded.
- Do not expose power tools to rain or wet conditions. Water entering a power tool will increase the risk of electric shock.
- Do not abuse the cord. Never use the cord for carrying, pulling or unplugging the power tool. Keep cord away from heat, oil, sharp edges or moving parts. Damaged or entangled cords increase the risk of electric shock.
- When operating a power tool outdoors, use an extension cord suitable for outdoor use. Use of a cord suitable for outdoor use reduces the risk of electric shock.
- If operating a power tool in a damp location is unavoidable, use a residual current device (RCD) protected supply. Use of an RCD reduces the risk of electric shock.

Personal safety

- Stay alert, watch what you are doing and use common sense when operating a power tool. Do not use a power tool while you are tired or under the influence of drugs, alcohol or medication. A moment of inattention while operating power tools may result in serious personal injury.
- Use personal protective equipment. Always wear eye protection. Protective equipment such as dust mask, non-skid safety shoes, hard hat, or hearing protection used for appropriate conditions will reduce personal injuries.
- Prevent unintentional starting. Ensure the switch is in the off position before connecting to power source and/or battery pack, picking up or carrying the tool. Carrying power tools with your finger on the switch or energising power tools that have the switch on invites accidents.
- Remove any adjusting key or wrench before turning the power tool on. A wrench or a key left attached to a rotating part of the power tool may result in personal injury.
- Do not overreach. Keep proper footing and balance at all times. This enables better control of the power tool in unexpected situations.
- Dress properly. Do not wear loose clothing or jewellery. Keep your hair, clothing and gloves away from moving parts. Loose clothes, jewellery or long hair can be caught in moving parts.
- If devices are provided for the connection of dust extraction and collection facilities, ensure these are connected and properly used. Use of dust collection can reduce dust-related hazards.

Power tool use and care

- Do not force the power tool. Use the correct power tool for your application. The correct power tool will do the job better and safer at the rate for which it was designed.
- Do not use the power tool if the switch does not turn it on and off. Any power tool that cannot be controlled with the switch is dangerous and must be repaired.
- Disconnect the plug from the power source and/or the battery pack from the power tool before making any adjustments, changing accessories, or storing power tools. Such preventive safety measures reduce the risk of starting the power tool accidentally.
- Store idle power tools out of the reach of children and do not allow persons unfamiliar with the power tool or these instructions to operate the power tool. Power tools are dangerous in the hands of untrained users.
- Maintain power tools. Check for misalignment or binding of moving parts, breakage of parts and any other condition that may affect the power tool's operation. If damaged, have the power tool repaired before use. Many accidents are caused by poorly maintained power tools.
- Keep cutting tools sharp and clean. Properly maintained cutting tools with sharp cutting edges are less likely to bind and are easier to control.
- Use power tool accessories and tool bits, etc. in accordance with these instructions, taking into account the working conditions and the work to be performed. Use of the power tool for operations different from those intended could result in a hazardous situation.

Service

- Have your power tool serviced by a qualified repair person using only identical replacement parts. This will ensure that the safety of the power tool is maintained.

Sanding Tool Safety



- Hold the power tool by insulated handles or gripping surfaces only, because the sanding belt/sheet may contact its own cord. Cutting a 'live' wire may make exposed metal parts of the power tool 'live' and could give the operator an electric shock.
 - Use clamps or another practical way to secure the workpiece to a stable platform. Holding the workpiece by hand or against the body makes it unstable and may lead to loss of control.
 - Recommendation that the tool always be supplied via a Residual Current Device with a rated residual current of 30mA or less.
 - If the replacement of the supply cord is necessary, this has to be done by the manufacturer or his agent in order to avoid a safety hazard.
- ALWAYS wear appropriate protective equipment, including a dust mask with a minimum FFP2 rating, eye protection and ear defenders
 - Ensure all people in the vicinity of the work area are also equipped with suitable personal protective equipment
 - Take special care when sanding some woods (such as beech, oak, mahogany and teak). The dust produced is toxic and can cause extreme reactions
 - NEVER use to process any materials containing asbestos. Consult qualified professional, if you are uncertain whether an object contains asbestos
 - DO NOT sand magnesium or alloys containing a high percentage of magnesium
 - Be aware of paint finishes or treatments that may have been applied to the material that is being sanded. Many treatments can create dust that is toxic, or otherwise harmful. If working on a building constructed prior to 1960, there is an increased chance of encountering lead-based paints
 - The dust produced when sanding lead-based paints is particularly hazardous to children, pregnant women, and people with high blood pressure. DO NOT allow these people near to the work area, even if wearing appropriate personal protective equipment
 - Whenever possible, use a vacuum dust extraction system to control dust and waste
 - Be especially careful when using a machine for both wood and metal sanding. Sparks from metal can easily ignite wood dust. ALWAYS clean your machine thoroughly to reduce the risk of fire
 - Empty the dust bag or container (where applicable) frequently during use, before taking breaks and after completion of sanding. Dust may be an explosion hazard. DO NOT throw sanding dust into an open fire. Spontaneous combustion may occur when oil or water particles come into contact with dust particles. Dispose of waste materials carefully and in accordance with local laws and regulations.
 - Work surfaces and sandpaper can become very hot during use. If there is evidence of burning (smoke or ash) from the work surface, stop and allow the material to cool. DO NOT touch work surface or sandpaper until they have had time to cool
 - DO NOT touch the moving sandpaper
 - ALWAYS switch off before you put the sander down
 - DO NOT use for wet sanding. Liquids entering the motor housing can cause severe electric shocks
 - ALWAYS unplug the sander from the mains power supply before changing or replacing sandpaper
 - Even when this tool is used as prescribed it is not possible to eliminate all residual risk factors. If you are in any doubt as to safe use of this tool, do not use it.

Product Familiarisation

1. Speed Adjustment Dial
2. ON/OFF Switch
3. Bench Mounting Fixing Holes
4. Motor Vents
5. Edge Guide Holes
6. Power Cord
7. Dust Extraction Port Adaptor (removable)
8. Sanding Base
9. Sanding Sleeve
10. Locking Bolt
11. Drum Washer
12. Rubber Grips
13. Bench Mounting Clamps
14. Bench Mounting Mat
15. Sanding Sleeve Drum
16. Edge Guide
17. Edge Guide Locking Screw (2)
18. Additional Sanding Sleeves/Drums

Intended Use

Compact, portable oscillating spindle sander for light-duty edge sanding, curved internal sanding, or template sanding tasks, either hand-held or bench mounted.

Unpacking Your Tool

- Carefully unpack and inspect your new tool. Familiarise yourself with all its features and functions
- Ensure that all parts of the tool are present and in good condition. If any parts are missing or damaged, have such parts replaced before attempting to use this tool

Before Use

⚠ WARNING: Ensure the tool is disconnected from the power supply before attaching or changing any accessories, or making any adjustments.

Selecting the right grade of sanding sleeve

- Sanding sleeves are available in a variety of different grades: coarse (60 grit), medium (120 grit) and fine (240 grit)
- Use a coarse grit to sand down rough finishes, medium grit to smooth the work, and fine grit to finish off
- Always use good quality sanding sleeves to maximise the quality of the finished task
- It is advisable to do a trial run on a scrap piece of material to determine the optimum grades of sandpaper for a particular job. If there are still marks on your work after sanding, try either going back to a coarser grade and sanding the marks out before recommencing with the original choice of grit, or try using a new piece of sandpaper to eliminate the unwanted marks before going on to a finer grit and finishing the job

Fitting a sanding sleeve

⚠ WARNING: Always ensure the tool is switched OFF and the plug is removed from the mains power supply before fitting or removing sanding sleeves.

Note: Do not continue to use worn, torn or heavily clogged sanding sleeves. Ensure foreign objects, such as nails and screws, are removed from the workpiece before starting to sand.

⚠ WARNING: Do not use a sanding sleeve on wood that has previously been used on metal. This may cause scouring on the wooden surface.

1. Remove the Locking Bolt (10) and Drum Washer (11) (D)
2. Remove the Sanding Sleeve Drum (15)
3. Slide a Sanding Sleeve (9) onto the Sanding Sleeve Drum (A)
4. Replace the Sanding Sleeve Drum back onto the spindle (B)
5. Replace the Drum Washer (C) and retighten the Locking Bolt (D)

Note: See Fig 1 for assembly diagram.

Dust extraction

⚠ WARNING: Always connect the sander to a suitable vacuum cleaner or workshop dust extraction system if the sanding dust contains harmful substances, such as particles from old paint, varnish, surface coatings, etc. Always dispose of harmful dust according to laws and regulations.

⚠ WARNING: Take special care to guard against harmful and toxic dusts when sanding lead-based painted surfaces, woods and metals, particularly if you are unsure about the exact substance involved. All persons entering the work area must wear a mask specially designed for protection against the toxic dust and fumes involved. Children and pregnant women MUST NOT enter the work area. DO NOT eat, drink or smoke in the work area.

- This sander is designed to be connected to a household vacuum cleaner hose or workshop dust extraction system. This is the preferred and most effective method of dust extraction
- Connect a suitable vacuum hose to the supplied Dust Extraction Port Adaptor (7)

- To remove the Dust Extraction Port Adaptor: turn anti-clockwise so the pins align with the notches of the dust extraction port then remove
- To replace the Dust Extraction Port Adaptor: insert it with the pins aligned with the dust extraction port then turn the adaptor clockwise to lock it into place (E)
- The portable spindle sander can be used without the Dust Extraction Port Adaptor and a compatible dust extraction system; however, it is always recommended to use a compatible dust extraction system

WARNING: When sanding metal, always connect the sander to a suitable workshop dust extraction system. Always clean the tool THOROUGHLY when switching from sanding wood to sanding metal, and vice versa.

Note: A dust bag is not supplied with this tool because the tool requires a dust extraction system for effective dust extraction. Inserting a third-party dust bag into the Dust Extraction Port Adaptor is not an effective method of extracting dust during use and is not recommended.

Operation

⚠ WARNING: ALWAYS wear eye protection, adequate respiratory and hearing protection, and suitable gloves when working with this tool.

WARNING: Do not touch the moving Sanding Sleeve (9).

Note: Always use clamps to secure your workpiece to a workbench wherever possible.

WARNING: NEVER allow the sandpaper to completely wear down before replacing it. Failure to observe these precautionary measures can lead to damage to the Sanding Sleeve Drum (15), resulting in Sanding Sleeves failing to attach properly.

Switching ON & OFF

WARNING: Never switch the sander ON when the Sanding Sleeve (9) is in contact with the workpiece or any other surface. This might cause the operator to lose control over the machine and lead to serious injury.

1. Connect the power cord to the mains power supply
2. To switch the sander ON, push the ON/OFF Switch (2) to the '1' position
3. To switch the sander OFF, push the ON/OFF Switch (2) to the '0' position

WARNING: Always wait until the machine has stopped vibrating completely before setting down. Always disconnect from the power supply after use

Adjusting the speed

⚠ WARNING: Never fit any accessories to the Sanding Sleeve Drum (15) that are not rated to the maximum no load speed of this device (see 'Specification').

- This sander features variable speed control that enables it to be used with a variety of accessories, and to work on a range of different materials, workpieces and objects

Note: The Speed Adjustment Dial (1) can be adjusted when the sander is ON or OFF. When the Speed Adjustment Dial is set to '1' the no load speed of the sander will be 1800min⁻¹; when the Speed Adjustment Dial is set to '6', the maximum no load speed of 3200min⁻¹ will be achieved.

- To adjust the speed, rotate the Speed Adjustment Dial to the desired setting
- The speed settings range from 1–6, with '1' being the lowest speed setting and '6' being the highest speed setting
- If in doubt about choosing the correct speed setting suitable for the task, begin with a low speed, examine the results, then adjust to a higher setting if necessary

Edge sanding

- The portable spindle sander is effective at sanding the edges of a variety of flat workpieces (F)
- Always ensure the workpiece is secure and use clamps where necessary
- The Edge Guide (16) can be attached to the sander, if required (J). Apply the Edge Guide to the sander and fix in the desired position with the Edge Guide Locking Screws (17) (Fig 1)

1. Place the sander with the Sanding Base (8) flat on the workpiece and the Sanding Sleeve (9) facing down, ensuring that there is more than enough room for the stroke length of the oscillating spindle movement up and down
2. Switch ON the dust extraction system first (if connected) then switch the spindle sander ON
3. Make more shorter passes across the edge of the workpiece rather than longer, slower passes
4. Allow the sander to do the work and do not force the sander against the workpiece by applying excessive pressure. Doing so could damage the workpiece and the tool or cause an injury to the user

Note: When using the Edge Guide, always start sanding from the corner or edge of a workpiece. Start with the front feed guide against the workpiece and gradually feed the tool onto the surface.

Inverted bench-mounted sanding

WARNING: Always ensure the tool is switched OFF and the power plug is removed from the mains power before bench mounting the spindle sander to a workbench.

- The portable spindle sander is effective at sanding the edges of a variety of workpieces when the sander is securely inverted in the bench-mounted position (G)
1. Place the Bench Mounting Mat (14) near the edge of a stable workbench
 2. Place the portable spindle sander in the inverted position on the mat and fix to the workbench using the Bench Mounting Clamps (13), ensuring the spindle sander is secure on the workbench by tightening the wingnuts on the Bench Mounting Clamps
 3. Connect the dust extraction system hose to the Dust Extraction Port Adaptor (if dust extraction is required)

Note: It is recommended that a compatible dust extraction system always be used when the portable spindle sander is in the inverted, bench-mounted position.

4. Select the desired speed on the Speed Adjustment Dial (1)
5. Switch ON the dust extraction system (if connected) then switch the sander ON
6. Use the Sanding Base (8) as a table top for stabilising the workpiece
7. Allow the sander to do the work and do not excessively force the workpiece against the Sanding Sleeve (9). Doing so could damage the workpiece and the tool or cause an injury to the user

Sanding tips

- If the tool is connected to a vacuum dust extraction system, switch the extraction device 'ON' before switching on the sander
- Clamp the workpieces to a workbench wherever possible. Ensure that workpieces cannot move during work

WARNING: Excessive pressure does not lead to a faster removal of material; however, it will lead to premature wear of the Sanding Sleeve (9), and may cause damage to the tool. Sanding performance and quality of finish are affected primarily by the choice of Sanding Sleeve (see 'Selecting the right grade of sanding sleeve').

Sanding metal

⚠ **WARNING:** Some additional precautions have to be taken when sanding metal

- ALWAYS connect the sander via a suitable residual current device (RCD)
- ALWAYS connect the sander to a suitable workshop dust extraction system
- Clean the tool thoroughly before using it to sand metal

WARNING: Hot metal particles and sparks could ignite residual wood dust. ALWAYS clean the tool thoroughly when switching from sanding wood to sanding metal, and vice versa.

- A sanding sleeve that was previously used for sanding metal should not be used on wood again. Residual metal particles may lead to scratches, and damage the workpiece

Accessories

- A range of accessories, including sanding sleeves of various grit, is available from your Triton stockist. For your own safety, use only genuine Triton accessories.
- Spare parts can be purchased from your Triton dealer or online at toolsparsonline.com

Maintenance

⚠ **WARNING:** Always disconnect the tool from the power supply before carrying out any maintenance/cleaning.

- This tool is manufactured using class-leading components and makes use of the latest in intelligent circuitry that protects the tool and its components. In normal use, it should provide a long working life

General inspection

- Regularly check that all the fixing screws are tight. They may vibrate loose over time
- Inspect the supply cord of the tool, prior to each use, for damage or wear. Repairs should be carried out by an authorised Triton service centre or technician. This advice also applies to any extension cords used with this tool

Lubrication

- Lubricate all moving parts with a suitable lubricant spray at regular intervals

Cleaning

⚠ **WARNING:** ALWAYS wear protective equipment including eye protection and gloves when cleaning this tool.

- Keep your tool clean at all times. Dirt and dust will cause internal parts to wear quickly and shorten the device's service life
- Clean the body of your machine with a soft brush or dry cloth
- Never use caustic agents to clean plastic parts. If dry cleaning is not sufficient, a mild detergent on a damp cloth is recommended
- Water must never come into contact with the tool
- Ensure the tool is thoroughly dry before using it
- If available, use clean, dry, compressed air to blow through the ventilation holes (where applicable)

Sanding sleeve drum surfaces

- The surface of the Sanding Sleeve Drum (15) needs to be clean, free of dirt and foreign matter, such as hair, fibres, sand, etc.
- In order to provide adequate adhesion for securing accessories, the surface of the Sanding Sleeve Drum must be in good condition
- When used extensively, sanding sleeve drums will become worn, and the drum may not provide the required diameter for adhesion anymore

Note: This sander's Sanding Sleeve Drums are NOT a warranty items. Replacement sanding sleeve drums can be obtained as spare parts through an authorised Triton service centre.

Cleaning the dust extraction port

- Occasionally it may be necessary to unclog or clean the dust extraction port and the channel
1. To clean the port and channel, first remove the Sanding Sleeve Drum (15) (see 'Fitting a sanding sleeve')
 2. Using a screwdriver (not supplied), remove the screws in the Sanding Base (8) and remove the Sanding Base. Be careful not to lose the washers beneath the Sanding Base on each screw hole (H)
 3. On the Sanding Base, remove the metal plate to reveal the dust channel (I)
 4. Clean the internal channel, dust port, and the belt cavity with a brush then compressed air
 5. After thoroughly cleaning, replace the Sanding Base and tighten the screws
 6. Replace the Sanding Sleeve Drum

WARNING: After cleaning, ensure all washers, screws and bolts are in place and tightened before reusing the sander. If the tool excessively vibrates or makes any strange noises different to normal operation STOP using the tool and remove the plug from the power supply. Follow the cleaning procedure again to ensure all parts are replaced correctly. If the sound and vibration still occur, consult a qualified Triton service technician.

Storage

- Store this tool and its accessories after use in its case, in a dry, secure place out of the reach of children

Disposal

Always adhere to national regulations when disposing of power tools that are no longer functional and are not viable for repair.

- Do not dispose of power tools or other waste electrical and electronic equipment (WEEE) with household waste
- Contact your local waste disposal authority for information on the correct way to dispose of power tools

Troubleshooting

Problem	Possible cause	Solution
No function when ON/OFF Switch (2) is operated	No power	Check power supply
	Defective ON/OFF Switch	Have the ON/OFF Switch replaced by an authorised Triton service centre
Motor suffers from cut-outs, loss of performance and produces sparks and/or burning smells	Carbon brushes worn	Have the brushes replaced by an authorised Triton service centre
No sanding action when ON/OFF Switch (2) is operated, despite the motor running	Gears not engaged	Consult a Triton service centre
Slow material removal	Sanding Sleeve (9) too fine or worn	Fit new Sanding Sleeve with coarser grit
	Tool speed set too low	Increase tool speed
Scratches on workpiece after sanding	Sanding Sleeve too coarse	Fit new Sanding Sleeve with finer grit
	Not enough material removed	Continue sanding
Burn marks on workpiece	Sanding Sleeve incompatible with material	Fit correct Sanding Sleeve
	Tool speed set too high	Decrease tool speed
	Too much pressure exerted on to the sander	Use less pressure whilst moving the machine
Excessive dust emission	Vacuum dust extraction system not connected, or extraction system not switched on	Check connection of the vacuum hose, the Dust Extraction Port Adaptor (7) (if used) and ensure dust extraction system is switched on
	Dust extraction not working; dust extraction blocked	Check dust extraction system; unblock dust extraction (see 'Cleaning the dust extraction port'.) Consult a Triton service centre if problems persist

Guarantee

To register your guarantee visit our web site at www.tritontools.com* and enter your details.

Your details will be included on our mailing list (unless indicated otherwise) for information on future releases. Details provided will not be made available to any third party.

Purchase Record

Date of Purchase: ___/___/___

Model: **TSPSP650** Retain your receipt as proof of purchase

CE Declaration of Conformity

The undersigned: Mr Darrell Morris

as authorised by: Triton

Declares that: This declaration has been issued under the sole responsibility of the manufacturer. The object of the declaration is in conformity with the relevant Union harmonisation Legislation.

Identification code: 949538

Description: 650W Portable Oscillating Spindle Sander

Conforms to the following directives and standards:

- Machinery Directive 2006/42/EC
- EMC Directive 2014/30/EU
- RoHS Directive 2011/65/EU
- EN 60745-1:2009+A11:2010
- EN ISO 12100:2010
- EN 55014-1:2006+A2:2011
- EN 55014-2:2015
- EN 61000-3-2:2014
- EN 61000-3-3:2013

Triton Precision Power Tools guarantees to the purchaser of this product that if any part proves to be defective due to faulty materials or workmanship within 3 YEARS from the date of original purchase,

Triton will repair, or at its discretion replace, the faulty part free of charge.

This guarantee does not apply to commercial use nor does it extend to normal wear and tear or damage as a result of accident, abuse or misuse.

* Register online within 30 days.

Terms & conditions apply.

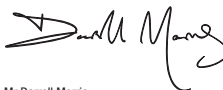
This does not affect your statutory rights

Notified body: TÜV Rheinland Co., Ltd

The technical documentation is kept by: Triton

Date: 17/05/2017

Signed:



Mr Darrell Morris

Managing Director

Name and address of the manufacturer:

Powerbox International Limited, Company No. 06897059. Registered address: Powerbox, Boundary Way, Lufton Trading Estate, Yeovil, Somerset, BA22 8HZ, United Kingdom.

Vertaling van de originele instructies

Inleiding

Hartelijk dank voor de aankoop van dit Triton-product. Deze handleiding omvat informatie die nodig is voor een veilig en efficiënt gebruik van dit product. Dit product is in het bezit van unieke kenmerken en zelfs indien u bekend bent met gelijkaardige producten is het nodig om deze handleiding aandachtig door te lezen om er zeker van te zijn dat u de instructies volledig begrijpt. Zorg ervoor dat alle gebruikers van het gereedschap deze handleiding volledig gelezen en begrepen hebben.

Symbolen

Op het typeplaatje van uw gereedschap kunnen symbolen voorkomen. Deze vertegenwoordigen belangrijke informatie met betrekking tot het product of instructies met betrekking tot het gebruik ervan.



Draag oorbescherming
Draag oogbescherming
Draag ademhalingsbescherming
Draag hoofdbescherming



Draag handschoenen



WAARSCHUWING - Om het risico op letsel te reduceren, dient de gebruiker de instructiehandleiding te lezen.



Stofafvoer vereist of aanbevolen



Enkel voor binnengebruik!



Koppel steeds los van de voeding wanneer u accessoires aanpast of vervangt, wanneer u schoonmaakwerkzaamheden of onderhoudswerkzaamheden uitvoert, en wanneer het gereedschap niet gebruikt wordt!



Klasse II constructie (dubbel geïsoleerd voor bijkomende bescherming)



Milieubescherming Elektrische producten mogen niet met het normale huisvuil worden weggegooid. Gelieve te recycleren indien deze mogelijkheid bestaat. Vraag de plaatselijke autoriteiten of de verkoper om advies betreffende de recyclagemogelijkheden.



Voldoet aan de van kracht zijnde wetgeving en veiligheidsnormen



Opgepast!



Toxische dampen of gassen!

Technische afkortingen & symbolen

V	Volts
~, AC	Wisselstroom
A, mA	Ampere, milli-Amp
n₀	Onbelaste snelheid
opm	Omwentelingen of oscillaties per minuut
Ø	Diameter
Hz	Hertz
W, kW	Watt, kilowatt
/min of min⁻¹	Bewerkingen per minuut
rpm	Toeren per minuut
dB(A)	Geluidsniveau decibel (A-gewogen)
m/s²	Meter per seconde ² (trillingsmagnitude)

Specificaties

Modelnummer	TSPSP650
Spanning	EU 230-240 V
Vermogen	650W
Onbelaste snelheid	1800-3200min ⁻¹
Naafoscillaties	50-90 opm
Slaglengte	6,5 mm
Huls lengte	76mm (3")
Hulsdiameters	Ø13 mm, Ø19 mm, Ø26 mm, Ø38 mm (½", 1", 1 ½")
Beschermingsklasse	
Binnendringingsbescherming	IP20
Lengte stroom snoer	2 m (6")
Afmetingen (L x B x H)	262 x 84 x 261 mm
Gewicht	2,2 kg (4.85 lbs)
Geluids- en trillingsgegevens	
Geluidsdruk L_{pk}:	86,4 dB(A)
Geluidsvermogen L_{wa}:	97,4 dB(A)
Onzekerheid K:	3 dB
Gewogen trilling a_w	4.874 m/s ²
Onzekerheid K:	1.5 m/s ²
De geluidsintensiteit voor de bediener kan 85 dB(A) overschrijden en gehoorbescherming is dan ook noodzakelijk.	

In het kader van onze voortgaande productontwikkeling kunnen de specificaties van Triton-producten zonder voorafgaande kennisgeving worden gewijzigd.

WAARSCHUWING: Bij een geluidsintensiteit van 95 dB(A) of hoger is het dragen van gehoorbescherming en het limiteren van de blootstellingstijd vereist. Bij oncomfortabel hoge geluidsniveaus, zelfs met het dragen van gehoorbescherming, stopt u het gebruik van de machine onmiddellijk. Controleer de pasvorm en het geluidsdempingsniveau van de bescherming.

WAARSCHUWING: Blootstelling aan trilling resulteert mogelijk in gevoelloosheid, tinteling en een verminderd gripvermogen. Langdurige blootstelling kan leiden tot chronische condities. Limiteer de blootstellingduur en draag anti-vibratie handschoenen. Vibratie heeft een grotere invloed op handen met een temperatuur lager dan een normale, comfortabele temperatuur. Maak gebruik van de informatie in de specificaties voor het berekenen van de gebruiksdur en frequentie van de machine.

Geluid- en trillingsniveaus in de specificatie zijn vastgesteld volgens EN60745 of een gelijksoortige internationale norm. De waarden gelden voor een normaal gebruik in normale werkomstandigheden. Een slecht onderhouden, onjuist samengestelde of onjuist gebruikte machine produceert mogelijk hogere geluids- en trillingsniveaus. www.osha.europa.eu geeft informatie met betrekking tot geluids- en trillingsniveaus op de werkplek, informatie die nuttig kan zijn voor huishoudelijke gebruikers die het gereedschap gedurende langere tijd gebruiken.

Algemene veiligheid

WAARSCHUWING Lees alle bediening- en veiligheidsvoorschriften. *Het niet opvolgen van alle voorschriften die hieronder vermeld staan, kan resulteren in een elektrische schok, brand en/of ernstig letsel.*

WAARSCHUWING: De machine is niet geschikt voor gebruik door personen met een verminderde mentale of fysieke gesteldheid of een gebrek aan ervaring, tenzij de persoon wordt begeleid of geïnstrueerd door een persoon verantwoordelijk voor de veiligheid

Bewaar deze voorschriften voor toekomstig gebruik. De term "elektrisch gereedschap" in alle hieronder vermelde waarschuwingen heeft betrekking op een elektrische gereedschap dat op de stroom is aangesloten (met een snoer) of met een accu wordt gevoed (snoerloos).

Veiligheid in de werkrimte

- Houd de werkrimte schoon en zorg voor een goede verlichting.** Rommelige en donkere ruimtes leiden vaak tot ongelukken.
- Werk niet met elektrisch gereedschap in explosieve omgevingen, bijvoorbeeld in de aanwezigheid van ontvlambare vloeistoffen, gasen of stof.** Elektrisch gereedschap brengt vonken teweeg die stof of dampen kunnen doen ontbranden.
- Houd kinderen en omstanders uit de buurt wanneer u elektrisch gereedschap bedient.** Door afleiding kunt u de controle over het gereedschap verliezen.

Elektrische veiligheid

- De stekkers van het elektrische gereedschap moeten passen bij het stopcontact. Pas de stekker niet aan.** Gebruik geen adapterstekkers bij geaard elektrisch gereedschap. Het gebruik van ongewijzigde stekkers en passende stopcontacten vermindert het risico op een elektrische schok.
- Vermijd lichamelijk contact met geaarde oppervlakken zoals pijpen, radiatoren, fornuizen en koelkasten.** Het risico op een elektrische schok neemt toe als uw lichaam geaard wordt.
- Laat elektrisch gereedschap niet nat worden.** Wanneer elektrisch gereedschap nat wordt, neemt het risico op een elektrische schok toe.
- Beschadig het snoer niet.** Gebruik het snoer nooit om het elektrische gereedschap te dragen, te trekken of om de stekker uit het stopcontact te trekken. Houd het snoer uit de buurt van hitte, olie, scherpe randen of bewegende delen. Een beschadigd of in de knoop geraakt snoeren verhoogt het risico op een elektrische schok toe.
- Wanneer u elektrisch gereedschap buiten gebruikt, maak dan gebruik van een verlengsnoer dat geschikt is voor gebruik buitenshuis.** Gebruik een verlengsnoer dat geschikt is voor gebruik buitenshuis om het risico op een elektrische schok te verminderen.
- Indien het onvermijdelijk is elektrisch gereedschap te gebruiken in een vochtige omgeving, gebruik dan een energiebron met een aard lek beveiliging (Residual Current Device). Het gebruik van een RCD vermindert het risico op een elektrische schok.**

Persoonlijke veiligheid

- Blijf alert en gebruik uw gezonde verstand wanneer u elektrisch gereedschap bedient.** Gebruik het elektrisch gereedschap niet wanneer u vermoeid bent of onder invloed van drugs, alcohol of medicijnen. Onoplettendheid tijdens het bedienen van elektrisch gereedschap kan leiden tot ernstig letsel.
- Maak gebruik van persoonlijke bescherming.** Draag altijd een veiligheidsbril. Passende bescherming voor de helm onderhouden, zoals een stofmasker, niet-slippende veiligheidschoenen en een omstandigheden, vermindert het risico op persoonlijk letsel.
- Zorg ervoor dat het gereedschap niet per ongeluk wordt gestart.** Zorg ervoor dat de schakelaar in de uit-stand staat alvorens u de stekker in het stopcontact steekt en/of de accu aanbrengt, het gereedschap opneemt of draagt. Het dragen van elektrisch gereedschap met uw vinger op de schakelaar of het aansluiten van het gereedschap op een voeding wanneer de schakelaar is ingeschakeld, kan aanleiding geven tot ongelukken.
- Verwijder alle stel- of moersleutels voordat u het elektrische gereedschap inschakelt.** Een moer- of stelsleutel die zich op een draaiend onderdeel van het elektrische gereedschap bevindt, kan leiden tot letsel.
- Reik niet te ver. Blijf altijd stevig en in balans staan.** Zo houdt u meer controle over het elektrische gereedschap in onverwachte situaties.
- Draag geschikte kleding.** Draag geen loshangende kleding of sieraden. Houd haren, kleding en handschoenen uit de buurt van bewegende delen. Loshangende kleding, sieraden en lange haren kunnen gegrepen worden door bewegende onderdelen.

- Als er inrichtingen voorzien zijn voor het afvoeren of voor het verzamelen van stof, zorg er dan voor dat deze op de correcte wijze aangesloten en gebruikt worden.** Het gebruik van inrichtingen voor het verzamelen en het afvoeren van stof kan het risico op aan stof gerelateerde ongelukken beperken.

Gebruik en verzorging van elektrisch gereedschap

- Forceer elektrisch gereedschap nooit.** Gebruik elektrisch gereedschap dat geschikt is voor het werk dat u wilt uitvoeren. Geschikt elektrisch gereedschap werkt beter en veiliger op een snelheid waarvoor het werd ontworpen.
- Gebruik het elektrische gereedschap niet indien de schakelaar het apparaat niet in- en uitschakelt.** Elektrisch gereedschap dat niet met behulp van de schakelaar kan bediend worden, is gevaarlijk en moet hersteld worden.
- Haal de stekker uit het stopcontact en/of verwijder de accu uit het elektrische gereedschap alvorens u instellingen aanpast, accessoires vervangt of het elektrische gereedschap opbergt.** Dergelijke voorzorgsmaatregelen verminderen het risico op het per ongeluk starten van het elektrische gereedschap.
- Berg elektrisch gereedschap dat niet in gebruik is op buiten het bereik van kinderen, en laat personen die niet bekend zijn met het elektrische gereedschap of met deze instructies het elektrische gereedschap niet bedienen.** Elektrisch gereedschap is gevaarlijk indien het gebruikt wordt door onervaren gebruikers.
- Onderhoud uw elektrisch gereedschap.** Controleer een eventuele foutieve uitlijning of het vastzitten van bewegende delen, eventuele gebroken onderdelen, en welke andere afwijkingen dan ook die de werking van het elektrische gereedschap zouden kunnen beïnvloeden. Indien het elektrische gereedschap beschadigd is, dient het gerepareerd te worden alvorens u het opnieuw gebruikt. *Vele ongelukken worden veroorzaakt door slecht onderhouden elektrisch gereedschap.*
- Houd snijwerktuigen scherp en schoon.** Goed onderhouden snijwerktuigen met scherpe snijranden staan minder snel vast en zijn gemakkelijker te bedienen en te controleren.
- Gebruik elektrische gereedschapsaccessoires en gereedschapsonderdelen volgens deze instructies en in overeenstemming met de werkomstandigheden en met het uit te voeren werk.** Het gebruik van het elektrische gereedschap voor werkzaamheden die verschillen van deze waarvoor het apparaat bedoeld is, kan aanleiding geven tot gevaarlijke situaties.

Onderhoud

- Laat uw elektrische gereedschap onderhouden door een gekwalificeerde vakman en gebruik alleen identieke vervangstukken.** Zo bent u er zeker van dat de veiligheid van het elektrische gereedschap gewaarborgd blijft.

Veiligheid schuurgereedschap

WAARSCHUWING:

- Houd het elektrische gereedschap enkel vast bij de geïsoleerde handgrepen of greepoppervlakken, omdat de schuurplaat in contact kan komen met het voedingsnoer.** Indien een snijgereedschap contact maakt met een onder spanning staande draad kunnen de metalen onderdelen van de machine eventueel onder spanning komen te staan, wat de gebruiker van het gereedschap een elektrische schok kan geven.
 - Gebruik klemmen of een andere praktische wijze om het werkstuk op een stabiel platform te bevestigen.** Het met de hand of het tegen het lichaam vasthouden van het werkstuk maakt dit laatste instabiel en kan aanleiding geven tot controleverlies.
 - Het is aan te bevelen dat het gereedschap steeds gevoed wordt via een lekstroombescherming met een nominale lekstroom van ten hoogste 30 mA.**
 - Indien het snoer vervangen moet worden, dient dat uitgevoerd te worden door de fabrikant of diens vertegenwoordiger, teneinde veiligheidsrisico's te vermijden.**
- Draag STEEDS gepaste beschermende uitrusting, met inbegrip van een stofmasker met een minimale klasse van FFP2, oogbescherming, en gehoorbescherming**
 - Zorg ervoor dat alle mensen in de buurt van de werkzone eveneens voorzien zijn van geschikte persoonlijke beschermingsuitrusting.**
 - Wees extra voorzichtig wanneer u bepaalde houtsoorten schuurt (zoals beuk, eik, mahonie, en teak). Het geproduceerde stof is giftig en kan uitzonderlijke reacties veroorzaken.**
 - Gebruik het gereedschap NODIG om materialen te bewerken die asbest omvatten.** Raadpleeg een expert indien u niet zeker bent of een voorwerp al of niet asbest omvat.
 - Schuur GEEN magnesium of legeringen die een hoog gehalte aan magnesium omvatten.**
 - Wees attent op verf of behandelingen die zijn aangebracht of uitgevoerd op het materiaal dat wordt geschuurd. Vele behandelingen kunnen aanleiding geven tot toxisch of op andere wijze schadelijk stof. Indien u werkzaamheden uitvoert in of op een gebouw dat dateert van voor 1960 bestaat er een groter risico dat u daar verf op loodbasis aantreft.**
 - Het tijdens het schuren van verf op loodbasis geproduceerde stof is bijzonder gevaarlijk voor kinderen, voor zwangere vrouwen, en voor mensen met hoge bloeddruk.** Laat deze mensen NIET in de buurt van de werkzone komen, zelfs indien ze geschikte persoonlijke beschermende uitrusting dragen.
 - Maak, indien mogelijk, gebruik van een vacuümfuorsysteem om het stof en afval onder controle te houden.**
 - Wees bijzonder voorzichtig wanneer u gebruik maakt van een machine die zowel voor het schuren van hout en van metaal bedoeld is. Vonken van metaal kunnen gemakkelijk houtstof in brand doen vliegen. Maak STEEDS uw machine grondig schoon om het risico op brand te beperken.**

- j) Maak de stofzak of -container (indien van toepassing) regelmatig leeg tijdens het gebruik, alvorens pauzes te nemen, en na het beëindigen van de schuurwerkzaamheden. *Stof houdt een explosiegevaar in. Gooi GEEN schuurstof in open vuur. Er kan zich een spontane ontbranding voordoen wanneer olie- of waterdeeltjes in contact komen met stofdeeltjes. Voer afvalmaterialen voorzichtig af en in overeenstemming met de plaatselijk van kracht zijnde wetgeving en regelgeving.*
- k) Werkoppervlakken en schuurpapier kunnen tijdens het gebruik zeer warm worden. Indien er aanwijzingen zijn van een verbranding (rook of asse) van het werkpervlak, stop dan onmiddellijk en laat het materiaal afkoelen. Raak het werkpervlak of het schuurpapier NIET AAN tot ze de kans hebben gekregen om af te koelen.
- l) Raak het bewegende schuurpapier NIET aan.
- m) Schakel de machine STEEDS uit alvorens ze neer te leggen.
- n) NIET GEBRUIKEN om nat te slijpen. *Vloeistoffen die de behuizing van de motor binnendringen, kunnen ernstige elektrische schokken veroorzaken.*
- o) Koppel de schuurmachine STEEDS los van de voeding alvorens het schuurpapier te vervangen.
- p) Zelfs indien men dit gereedschap gebruikt zoals voorgeschreven, is het onmogelijk om alle residuele risicofactoren te elimineren. *Indien u twijfels hebt met betrekking tot het veilige gebruik van dit gereedschap, gebruik het dan niet*

Productonderdelen

1. Instelling snelheid
2. Aan/uit-schakelaar
3. Tafelbevestigingsgaten
4. Motorventilatiegaten
5. Gaten randgeleiding
6. Voedingsnoer
7. Adapter stofafvoeropening (verwijderbaar)
8. Schuurbasis
9. Schuurhuls
10. Borgbout
11. Trommelring
12. Rubberen grepen
13. Tafelbevestigingsklemmen
14. Tafelbevestigingsmat
15. Trommel schuurhuls
16. Randgeleiding
17. Borgschroef (2) randgeleiding
18. Extra schuurhulzen/-trommels

Voorzien gebruik

Compacte, draagbare oscillerende aschuurmachine voor licht randschuurwerk, gekromd interm schuurwerk, of sjabloon-schuurwerkzaamheden, in de hand vastgehouden of op een werktafel bevestigd.

Uw gereedschap uit de verpakking halen

- Haal uw nieuwe gereedschap voorzichtig uit de verpakking en inspecteer het. Zorg dat u op de hoogte bent van alle kenmerken en functies ervan.
- Zorg ervoor dat alle onderdelen van het gereedschap aanwezig zijn en in goede staat verkeren. Indien er onderdelen ontbreken of beschadigd zijn, dienen deze vervangen te worden alvorens het gereedschap te gebruiken

Voorafgaand aan het gebruik

⚠ **WAARSCHUWING:** Zorg ervoor dat het gereedschap is losgekoppeld van de voeding alvorens accessoires aan te brengen of te vervangen, of alvorens aanpassingen door te voeren.

Selecteren van de juiste kwaliteit schuurhuls

- Schuurhulzen zijn verkrijgbaar in een aantal ruwheden: ruw (korrelmaat 60), gemiddeld (korrelmaat 120), en fijn (korrelmaat 240)
- Maak gebruik van de ruwe versie om een ruwe afwerking uit te voeren, van de gemiddelde kwaliteit om het werk verder af te vlakken, en van de fijne korrelmaat om de uiteindelijke afwerking door te voeren
- Maak steeds gebruik van schuurhulzen van goede kwaliteit om de kwaliteit van de uit te voeren taak te garanderen
- Het is aan te bevelen om het schuren te testen op een stuk afvalmateriaal om de optimale ruwheid van het schuurpapier te bepalen voor de welbepaalde toepassing. Indien er nog steeds markeringen zichtbaar zijn op uw werkstuk na het schuren, probeer dan opnieuw te schuren met een grof schuurvel en probeert de markeringen te verwijderen alvorens opnieuw te starten met de oorspronkelijke selectie van de ruwheid, of probeer nieuw schuurpapier te gebruiken om de ongewenste markeringen te verwijderen alvorens over te gaan naar een fijnere ruwheid om het werk af te ronden

Aanbrengen van een schuurhuls

⚠ **WAARSCHUWING:** Zorg er steeds voor dat het gereedschap is uitgeschakeld en dat de stekker is verwijderd uit het stopcontact alvorens schuurhulzen aan te brengen of te verwijderen.

Opmerking: Versleten, gescheurde, of sterk vervuilde schuurhulzen mogen NIET VERDER gebruikt worden. Zorg ervoor dat vreemde voorwerpen, zoals spijkers en schroeven, uit het werkstuk verwijderd zijn alvorens de schuurwerkzaamheden aan te vatten.

Waarschuwing: Een schuurhuls die voordien op metaal werd gebruikt, mag vervolgens NIET op hout gebruikt worden. Dit kan krassen veroorzaken in het houten oppervlak.

1. Verwijder de borgbout (10) en de trommelring (11) (D)
2. Verwijder de schuurhulstrommel (15)
3. Schuif een schuurhuls (9) op de schuurhulstrommel (A)
4. Plaats de schuurhulstrommel terug op de as (B)
5. Plaats de trommelring (C) terug en span de borgbout (D) opnieuw aan

Opmerking: Zie Figuur 1 voor een assemblagediagram

Stofafvoer

⚠ **WAARSCHUWING:** Verbind het schuurapparaat steeds met een geschikte stofzuiger of met een stofafvoersysteem indien het schuurstof schadelijke substanties omvat, zoals deeltjes van oude verf, vernis, coatings, enzovoort. Voer het schadelijke stof STEEDS af in overeenstemming met de van kracht zijnde wetgeving en regelgeving.

⚠ **WAARSCHUWING:** Neem speciale voorzorgsmaatregelen tegen schadelijk en toxisch stof wanneer oppervlakken worden geschuurd die geveerd zijn met verf op loodbasis, houtsoorten en metalen, meer bepaald indien u niet zeker bent van de werkelijk aanwezige substanties. Alle personen die de werkruimte betreden, dienen een masker te dragen dat speciaal ontworpen is als bescherming tegen het toxische stof en tegen de toxische dampen. Kinderen en zwangere vrouwen mogen de werkruimte NIET betreden. Eet, drink, of rook NIET in de werkruimte.

- Deze schuurmachine is ontworpen om verbonden te worden met de slang van een huishoudelijke stofzuiger of met een stofafvoersysteem dat aanwezig is op de werkplek. Dit is te verkiezen en meest efficiënte methode om stof af te voeren.
- Sluit een geschikte stofzuigerslang aan op de adapter voor de stofafvoeropening (7)
- Om de adapter van de stofafvoeropening te verwijderen: draai in tegenwijzerzin tot de pennen uitgelijnd zijn met de inkepingen van de stofafvoeropening, en verwijder de adapter vervolgens.
- Om de adapter voor de stofafvoeropening terug aan te brengen: plaats de adapter en lijn de pennen uit ten opzichte van de stofafvoeropening, en draai vervolgens in wijzerzin om het geheel te vergrendelen (E)
- De draagbare aschuurmachine kan gebruikt worden zonder de adapter voor de stofafvoeropening en een compatibel stofafvoersysteem: Het is echter steeds aan te bevelen om gebruik te maken van een compatibel stofafvoersysteem

Waarschuwing: Wanneer u metaal schuurt, verbind de schuurmachine dan met een daarvoor geschikt en op de werkplaats aanwezig stofafvoersysteem. Maak het gereedschap STEEDS GRONDIG schoon wanneer u overgaat van het schuren van hout naar het schuren van metaal, en vice versa.

Opmerking: Een stofzak wordt niet met dit gereedschap meegeleverd omdat een stofafvoersysteem vereist is voor een efficiënte stofafvoer. Het aanbrengen van een stofzak van een derde partij in de adapter voor de stofafvoeropening is geen efficiënte manier om stof af te voeren tijdens het gebruik van het apparaat, en dit is dan ook niet aan te bevelen.

Werking

⚠ **WAARSCHUWING:** Draag bij het werken met deze machine STEEDS oogbescherming, geschikte ademhalings- en oorbescherming, alsook geschikte handschoenen.

Waarschuwing: Raak de bewegende schuurhuls (9) NIET aan.

Opmerking: Gebruik steeds klemmen om uw werkstuk op een werkbank te bevestigen indien dat mogelijk is.

Waarschuwing: Laat het schuurpapier NOOIT volledig afslijten alvorens het te vervangen. Het niet naleven van deze voorzorgsmaatregelen kan aanleiding geven tot beschadigingen van de schuurhulstrommel (15), wat er dan weer voor zorgt dat de schuurhulzen niet op correcte wijze bevestigd kunnen worden.

In- en uitschakelen

Waarschuwing: Schakel de schuurmachine nooit IN wanneer de schuurhuls (9) in contact staat met het werkstuk of met welk ander oppervlak dan ook. Hierdoor zou de persoon die het apparaat bedient de controle erover kunnen verliezen, wat aanleiding kan geven tot ernstig letsel.

1. Verbind het snoer met de voeding
 2. Om de schuurmachine in te schakelen, duwt u de aan/uit-schakelaar (2) naar de "I"-stand
 3. Om de schuurmachine uit te schakelen, duwt u de aan/uit-schakelaar naar de "O"-stand
- Waarschuwing:** Wacht steeds tot de machine volledig tot stilstand is gekomen alvorens ze neer te zetten. Koppel de machine steeds los van de voeding na het gebruik ervan.

Aanpassen van de snelheid

⚠ **WAARSCHUWING:** Bevestig nooit accessoires op de schuurhulstrommel (15) die niet voorzien zijn voor de maximum "onbelaste" snelheid van dit apparaat (zie "Specificaties").

- Deze schuurmachine is in het bezit van een variabele snelheidscontrole, een kenmerk dat haar geschikt maakt om met een breed gamma aan accessoires gebruikt te worden, en om diverse materialen, werkstukken en voorwerpen te bewerken.

Opmerking: De positie van de snelheidsinstellingsknop (1) kan gewijzigd worden wanneer de schuurmachine is in- of uitgeschakeld. Wanneer de snelheidsinstellingsknop in de stand "1" wordt geplaatst, is de onbelaste snelheid van de schuurmachine 1800 min⁻¹, terwijl wanneer de knop in de stand "6" wordt gezet de maximum onbelaste snelheid van de machine 3200 min⁻¹ bedraagt.

- Om de snelheid aan te passen, draait u de snelheidsinstellingsknop naar de gewenste positie.
- De snelheidsaanduiding gaat van 1-6, waarbij "1" de laagste snelheid is en "6" de hoogste.
- Indien u twijfelt bij de keuze van de voor de uit te voeren taak correcte in te stellen snelheid, begin dan met een lagere snelheid, controleer de resultaten, en voer vervolgens de ingestelde snelheid op indien dat nodig zou zijn

Schuren van randen

- De draagbare asschuurmachine is efficiënt voor het schuren van de randen van diverse vlakke werkstukken (F)
- Zorg er steeds voor dat het werkstuk veilig bevestigd is en gebruik daarvoor klemmen indien nodig.
- De randgeleiding (16) kan op de schuurmachine bevestigd worden indien nodig (J). Breng de randgeleiding aan op de schuurmachine en zet ze vast in de gewenste positie met behulp van de borgschroeven van de randgeleiding (17) (Figuur II)

1. Plaats de schuurmachine met de schuurbasis (8) vlak op het werkstuk, waarbij de schuurhuls (9) naar onderen gericht is, waarbij men er voor dient te zorgen dat er voldoende ruimte is voor de slagengte van de oscillerende op-en-neer gaande beweging van de as.
2. Schakel het stofafvoersysteem eerst in (indien verbonden) en schakel vervolgens de asschuurmachine in
3. Voer meerdere kortere bewegingen uit over de rand van het werkstuk in plaats van langere en tragere bewegingen
4. Laat de schuurmachine het werk doen en forceer ze niet tegen het werkstuk aan door overmatige druk uit te oefenen. Indien u dat wel doet, kan dit het gereedschap beschadigen of aanleiding geven tot persoonlijk letsel

Opmerking: Wanneer u gebruik maakt van de randgeleiding, start dan steeds met het schuren vanaf de hoek of de rand van een werkstuk. Begin met de voorste aanvoergeleiding tegen het werkstuk en laat het gereedschap geleidelijk aan over het oppervlak gaan.

Omgekeerd schuren met werktafelbevestiging

⚠ **WAARSCHUWING:** Zorg er steeds voor dat het gereedschap is uitgeschakeld en dat de stekker is verwijderd uit het stopcontact alvorens de asschuurmachine op een werktafel te bevestigen.

- De draagbare asschuurmachine is efficiënt voor het schuren van de randen van diverse soorten werkstukken wanneer de schuurmachine omgekeerd bevestigd is in de op een werktafel gemonteerde omgekeerde positie (G)
1. Plaats de tafelfestigingsmat (14) in de buurt van de rand van een stabiele werktafel
 2. Plaats de draagbare asschuurmachine in de omgekeerde positie op de mat en bevestig het geheel op de werktafel met behulp van de tafelfestigingsklemmen (13), waarbij men er dient voor zorg te dragen dat de schuurmachine stevig is bevestigd op de werktafel door de vindermoeren van de tafelfestigingsklemmen aan te draaien
 3. Sluit de slang van het stofafvoersysteem aan op de adapter van het stofafvoersysteem (indien stofafvoer nodig is)

Opmerking: Het is aan te bevelen om gebruik te maken van een compatibel stofafvoersysteem wanneer de draagbare asschuurmachine in de omgekeerde en op een werktafel gemonteerde positie gebruikt wordt.

4. Selecteer de gewenste snelheid met behulp van de snelheidsinstellingsknop (1)
5. Schakel het stofafvoersysteem in (indien verbonden) en schakel vervolgens de schuurmachine in
6. Gebruik de schuurbasis (8) als basis om het werkstuk te stabiliseren
7. Laat de schuurmachine het werk doen en oefen geen overmatige druk uit op het werkstuk tegen de schuurhuls (9). Indien u dat wel doet, kan dit het gereedschap beschadigen of aanleiding geven tot persoonlijk letsel

Schuurtips

- Indien het gereedschap is verbonden met een vacuümfstofafvoersysteem, schakel het afvoersysteem dan in alvorens de schuurmachine in te schakelen.
- Klein indien mogelijk werkstukken steeds vast op een werkbank. Zorg ervoor dat werkstukken niet kunnen bewegen tijdens het werk

Waarschuwing: Overmatige druk betekent niet een snellere verwijdering van het materiaal; het zal echter wel aanleiding geven tot een vroegtijdige slijtage van de schuurhuls (9), en eventueel tot schade aan de machine. De efficiëntie van het schuren en de afwerkingskwaliteit worden voornamelijk beïnvloed door de keuze van de schuurhuls (zie "Selectie van de juiste kwaliteit schuurhuls").

Metaal schuren

⚠ **WAARSCHUWING:** Er moeten nog een paar voorzorgsmaatregelen getroffen worden wanneer er metaal wordt geschuurd.

- Verbind de schuurmachine STEEDS met de voeding via een geschikte aardlekbeveiliging (RCD)
- Verbind de schuurmachine STEEDS met een daarvoor geschikt en op de werkplaats aanwezig stofafvoersysteem
- Maak het gereedschap grondig schoon alvorens het te gebruiken om metaal te schuren
- ⚠ **WAARSCHUWING:** Hete metaaldeeltjes en vonken kunnen eventueel aanwezig houstof doen ontvlammen. Maak het gereedschap STEEDS grondig schoon wanneer u overgaat van het schuren van hout naar het schuren van metaal, en vice versa.
- Een schuurhuls die gebruikt werd om metaal te schuren, mag niet opnieuw gebruikt worden om hout te schuren. Achtergebleven metaaldeeltjes kunnen aanleiding geven tot krassen en kunnen het werkstuk beschadigen

Accessoires

- Een heel gamma aan accessoires, met inbegrip van schuurhulzen met verschillende ruwheden en korrelmaten, is verkrijgbaar bij uw Triton-groothandel. Maak voor uw eigen veiligheid steeds gebruik van oorspronkelijke Triton-accessoires. Reserveonderdelen kunnen verkregen worden bij uw Triton-dealer of online op www.toosparesonline.com

Onderhoud

⚠ **WAARSCHUWING:** Koppel het gereedschap STEEDS los van de voeding alvorens onderhoud of schoonmaakwerkzaamheden uit te voeren.

- Dit gereedschap is vervaardigd op basis van de beste componenten, en omvat de meest recente intelligente schakelingen die het gereedschap en de componenten ervan beschermen. Indien u het gereedschap op de gepaste wijze gebruikt, is een lange levensduur verzekerd.

Algemene inspectie

- Controleer regelmatig of alle bevestigingsschroeven aangedraaid zijn. Deze kunnen in de loop van de tijd losrillen.
- Inspecteer het netsnoer van het gereedschap op eventuele schade of slijtage, voorafgaand aan elk gebruik. Reparaties mogen enkel uitgevoerd worden door een geautoriseerd Triton-servicecentrum of -technicus. Dit geldt eveneens voor welke verlengsnoeren dan ook die in combinatie met dit gereedschap gebruikt worden.

Smering

- Smeer alle bewegende onderdelen met een geschikte spray, en dit op regelmatig tijdstippen

Schoonmaken

⚠ **WAARSCHUWING:** Draag STEEDS beschermende uitrusting, met inbegrip van oogbescherming en handschoenen wanneer u het gereedschap schoonmaakt.

- Houd het gereedschap te allen tijde schoon. Vuil en stof geven aanleiding tot een snelle slijtage van de interne onderdelen, en verkorten de levensduur van het gereedschap
- Maak het lichaam van het gereedschap schoon met een zachte borstel of met een droog doek.
- Gebruik nooit bijtende middelen om plastic onderdelen schoon te maken. Indien een droge schoonmaak niet voldoende is, verdient een zachte detergent op een vochtige doek de voorkeur
- Water mag nooit in contact komen met het gereedschap
- Zorg ervoor dat het gereedschap volkomen droog is alvorens het te gebruiken
- Indien aanwezig, maak dan gebruik van droge perslucht om de ventilatiegaten door te blazen (waar van toepassing)

Schuurhulstrommeloppervlakken

- Het oppervlak van de schuurhulstrommel (15) moet schoon zijn en vrij zijn van vuil en vreemde stoffen, zoals haar, vezels, zand, enzovoort.
- Om een goede hechting bij het bevestigen van accessoires te verzekeren, moet het oppervlak van de schuurhulstrommel in goede toestand zijn.
- Na langdurig gebruik zullen de schuurhulstrommels verslijten en kan het zijn dat de trommel niet langer de voor de hechting vereiste diameter bezit

Opmerking: De schuurhulstrommels van deze schuurmachine maken geen deel uit van de waarborg. Extra exemplaren van de schuurhulstrommels kunnen als reserveonderdeel verkregen worden via een geautoriseerd Triton-servicecentrum.

Schoonmaken van de stofafvoeropening

- Af en toe kan het nodig zijn om de stofafvoeropening en het kanaal vrij te maken van verstoppingen of schoon te maken
- Om de opening en het kanaal schoon te maken, verwijdert u eerst de schuurhulstroomel (15) (zie "Aanbrengen van een schuurhuls")
 - Verwijder met een schroevendraaier (niet meegeleverd) de schroeven in de schuurbasis (8) en verwijder de schuurbasis. Zorg ervoor dat u de ringen in elk schroefgat (H) onder de schuurbasis niet verliest
 - Verwijder de metalen plaat van de schuurbasis om het stofkanaal bloot te leggen (I)
 - Maak het interne kanaal, de stofopening, en de riemruimte schoon met een borstel en vervolgens met perslucht.
 - Na het schoonmaken brengt u de schuurbasis terug aan en spannt u de schroeven opnieuw aan.
 - Vervang de schuurhulstroomel

Waarschuwing: Na het schoonmaken dient u ervoor te zorgen dat alle ringen, schroeven, en bouten terug zijn aangebracht en zijn aangespannen alvorens u de machine terug in gebruik neemt. Indien het gereedschap buitenmatig trilt of vreemde geluiden produceert die verschillen van deze tijdens de normale werking, stop het gereedschap dan en verwijder de stekker uit het stopcontact. Volg opnieuw de schoonmaakprocedure en zorg ervoor dat alle onderdelen correct vervangen zijn. Indien het geluid en de trillingen aanhouden, consulteer dan een gekwalificeerde Triton-servicetechnicus.

Opberging

- Berg dit gereedschap en de accessoires na het gebruik ervan op in de doos, en dit op een droge en veilige plaats die buiten het bereik van kinderen is gelegen

Afvoer en verwerking

Respecteer steeds de nationale regelgeving wanneer u elektrisch gereedschap afdankt dat niet langer functioneert en niet gerepareerd kan worden.

- Voer geen elektrische en elektronische uitrusting (WEEE) af met het huishoudelijk afval
- Neem contact op met uw plaatselijke reinigingsdienst om informatie in te winnen met betrekking tot de correcte wijze om elektrisch gereedschap af te voeren

Problemen oplossen

Probleem	Mogelijke oorzaak	Oplossing
Geen effect wanneer de Aan/Uit-schakelaar (2) wordt gebruikt	Geen spanning	Controleer de voeding
	Aan/Uit-schakelaar defect	Laat schakelaar vervangen door een geautoriseerd Triton-servicecentrum
De motor schakelt af en toe uit, er is sprake van een performantieverlies, en er worden vonken geproduceerd en/of er is een brandgeur aanwezig	Versleten koolstofborstels	Laat de borstels vervangen door een geautoriseerd Triton-servicecentrum
Geen schurende werking wanneer de aan/uit-schakelaar (2) wordt gebruikt, ondanks het feit dat de motor draait	overbrenging/tandwielen grijpen niet in elkaar	Raadpleeg een Triton-servicecentrum
Traag verwijderen van materiaal	De schuurhuls (9) is te fijn of te versleten	Plaats een nieuwe schuurhuls met een grovere korrelmaat
	Ingestelde gereedschapsnelheid is te laag	Voer de snelheid van het gereedschap op
Er is na het schuren sprake van krassen op het werkstuk	Schuurhuls te grof	Plaats een nieuwe schuurhuls met een fijnere korrelmaat
	Er wordt niet genoeg materiaal verwijderd	Ga verder met schuren
Er zijn brandplekken op het werkstuk	Schuurhuls is incompatibel met het geschuurde materiaal	Plaats een correcte schuurhuls op het apparaat
	Ingestelde gereedschapsnelheid is te hoog	Reduceer de snelheid van het gereedschap
	Op de schuurmachine uitgeoefende druk is te groot	Druk minder hard terwijl u het apparaat beweegt
Buitensporige stofvorming	Het vacuümstofafvoersysteem is niet aangesloten of niet ingeschakeld	Controleer de verbinding van de stofzuigerslang, de adapter voor de stofafvoeropening (7) (indien gebruikt), en zorg ervoor dat het stofafvoersysteem is ingeschakeld
	De stofafvoer werkt niet; stofafvoer is geblokkeerd	Controleer het stofafvoersysteem; verwijder de blokkering (zie "De stofafvoeropening schoonmaken"). Raadpleeg een Triton-servicecentrum indien de problemen aanhouden

Garantie

Om uw garantie te registreren, gaat u naar onze website op www.tritontools.com* en voert u uw gegevens in.

Uw gegevens worden opgestegen in onze mailinglist (tenzij u anders aangeeft) voor informatie over nieuwe producten. De ingevulde gegevens worden aan geen enkele andere partij beschikbaar gesteld.

Aankoopgegevens

Datum van aankoop: ___/___/___

Model: **TSPSP650**

Bewaar uw aankoopbon als aankoopbewijs rt pr

Triton Precision Power Tools garandeert de koper van dit product dat indien een onderdeel defect is vanwege fouten in materiaal of uitvoering binnen 3 jaar na de datum van de oorspronkelijke aankoop,

Triton het defecte onderdeel gratis repareert of, naar eigen inzicht, vervangt.

Deze garantie heeft geen betrekking op commercieel gebruik en strekt zich niet uit tot normale slijtage of schade ten gevolge van een ongeluk, verkeerd gebruik of misbruik.

* Registreer online binnen 30 dagen.

Algemene voorwaarden van toepassing.

EG-verklaring van overeenstemming

De ondergetekende: Mr. Darrell Morris

Gemachtigd door: Triton

Verklaart dat: Deze verklaring wordt verstrekt onder de volledige verantwoordelijkheid van de fabrikant. Het hierboven beschreven voorwerp is conform de desbetreffende communautaire harmonisatiewetgeving

Identificatienummer: 949538

Beschrijving: 650 W draagbare oscillerende schuurmachine

Voldoet aan de volgende richtlijnen:

- Machinerichtlijn 2006/42/EG
- Elektromagnetische verenigbaarheid 2014/30/EU
- RoHS-richtlijn 2011/65/EG
- EN 60745-1:2009+A11:2010
- EN ISO 12100:2010
- EN 55014-1:2006+A2:2011
- EN 55014-2:2015
- EN 61000-3-2:2014
- EN 61000-3-3:2013

Keuringsinstantie: TÜV Rheinland Co., Ltd

De technische documentatie wordt bijgehouden door: Triton

Datum: 17-05-2017

Handtekening:



Darrell Morris

Algemeen directeur

Naam en adres van fabrikant:

Powerbox International Limited, handelsregister nummer 06897059. Powerbox, Boundary Way, Lufton Trading Estate, Yeovil, Somerset, BA22 8HZ, Verenigd Koninkrijk.

Traduction des instructions originales

Introduction

Nous vous remercions d'avoir choisi cet équipement Triton. Ces instructions contiennent les informations nécessaires pour vous en garantir un fonctionnement efficace et en toute sécurité. Veuillez lire attentivement ce manuel pour vous assurer de tirer pleinement avantage des caractéristiques uniques de votre nouvel équipement. Gardez ce manuel à portée de main et assurez-vous que tous les utilisateurs l'aient lu et bien compris avant toute utilisation. Conservez-le pour toute référence ultérieure.

Description des symboles

La plaque signalétique figurant sur votre outil peut présenter des symboles. Ces symboles constituent des informations importantes relatives au produit ou des instructions concernant son utilisation.



Port de protection auditive
Port de lunettes de sécurité
Port de masque respiratoire
Port de casque



Port de gants



Lire le manuel d'instructions



Dispositif d'évacuation des poussières nécessaire ou vivement recommandé



Pour usage intérieur uniquement !



Débranchez toujours l'appareil avant d'effectuer un réglage, de changer d'accessoire, de le nettoyer, de l'entretenir, ou lorsqu'il n'est plus utilisé !



Construction de classe II (Double isolation pour une protection supplémentaire)



Protection de l'environnement Les appareils électriques usagés ne doivent pas être jetés avec les ordures ménagères. Veuillez les recycler dans les centres prévus à cet effet. Pour de plus amples informations, veuillez contacter votre municipalité ou point de vente.



Conforme à la réglementation et aux normes de sécurité pertinentes.



Attention !



Émission de fumées ou de gaz toxiques !

Abréviations pour les termes techniques

V	Volt
~, AC	Courant alternatif
A, mA	Ampère, Milliampère
n ₀	Vitesse à vide
opm	battements/oscillations par minute
Ø	Diamètre
Hz	Hertz
W, kW	Watt, Kilowatt
/min or min ⁻¹	(opérations) par minute
rpm	Tours par minute
dB(A)	Puissance acoustique en décibel (A pondéré)
m/s ²	Mètres par seconde au carré (magnitude des vibrations)

Caractéristiques techniques

Numéro de modèle	TSPSP650
Tension	EU 230-240 V
Puissance	650 W
Vitesse à vide	1 800 – 3 200 tr/min
Fréquence des oscillations	50 - 90 /min
Longueur de course	6,5 mm
Longueur du manchon	76 mm (3")
Diamètre du manchon	Ø 13 mm, Ø 19 mm, Ø 26 mm, Ø 38 mm (½", 1", 1 ½")
Classe de protection	
Indice de protection	IP20
Longueur du câble d'alimentation	2 m (6')
Dimensions (L x l x H)	262 x 84 x 261 mm
Poids	2,2 kg (4,85 lbs)
Informations sur le niveau d'intensité sonore et vibratoire :	
Pression acoustique L _{pk}	86,4 dB(A)
Puissance acoustique L _{wa}	97,4 dB(A)
Incertitude K	3 dB
Vibration pondérée a _w	4,874 m/s ²
Incertitude K	1,5 m/s ²
L'intensité sonore peut dépasser 85 dB(A) et il est nécessaire que l'utilisateur porte des protections auditives.	

Du fait de l'évolution constante de nos produits, les caractéristiques des produits TRITON peuvent changer sans notification préalable.

ATTENTION : Portez toujours des protections auditives lorsque le niveau d'intensité est supérieur à 85 dB(A) et limitez le temps d'exposition si nécessaire. Si l'intensité sonore devient inconvolant, même avec les protections, arrêtez immédiatement d'utiliser l'appareil, vérifiez que les protections sont bien en places et adaptés avec le niveau sonore produit par l'appareil.

ATTENTION : L'exposition de l'utilisateur aux vibrations peut engendrer une perte du toucher, des engourdissements, des picotements et ainsi réduire la capacité de préhension. De longues expositions peuvent également provoquer ces symptômes de façon chronique. Si nécessaire, limitez le temps d'exposition aux vibrations et portez des gants anti-vibrations. N'utilisez pas cet appareil lorsque la température de vos mains est en dessous des températures normales, car l'effet vibratoire en est accentué. Référez-vous au cas de figures des caractéristiques relatives aux vibrations pour calculer le temps et fréquence d'utilisation de l'appareil.

Les niveaux sonores et vibratoires des caractéristiques techniques sont déterminés en fonction de la norme EN60745 ou autres normes internationales. Ces données correspondent à un usage normal de l'appareil, et ce dans des conditions de travail normales. Un appareil mal entretenu, mal assemblé ou mal utilisé peut augmenter les niveaux sonores et vibratoires. Le site www.osha.europa.eu offre de plus amples informations sur les niveaux sonores et vibratoires sur le lieu de travail, celles-ci pourront être utiles à tout particulier utilisant des outils électriques pendant des périodes prolongées.

Consignes générales de sécurité

AVERTISSEMENT : Veuillez lire toutes les consignes de sécurité et toutes les instructions. La non-respect des instructions et consignes de sécurité peut entraîner un risque de décharge électrique, d'incendie et/ou se traduire par des blessures graves.

AVERTISSEMENT : Cet appareil n'est pas prévu pour être utilisé par des personnes (enfants y compris) ayant des capacités mentales ou physiques réduites ou manquant d'expérience à moins qu'ils soient supervisés ou qu'une personne responsable de leur sécurité leur donne des instructions concernant l'utilisation de cet appareil.

Veillez conserver ces instructions et consignes de sécurité pour référence ultérieure.

Le terme « outil électrique » dans ces consignes concerne les outils branchés (filaire) ou à batteries (électroportatifs).

1. Sécurité sur la zone de travail

a. **Maintenir une zone de travail propre et bien éclairée.** Des zones encombrées et mal éclairées sont sources d'accidents.

b. **Ne pas utiliser d'outils électriques dans des environnements explosifs, tels qu'à proximité de liquides, de gaz ou de poussières inflammables.** Les outils électriques produisent des étincelles susceptibles d'enflammer la poussière ou les vapeurs présentes.

c. **Éloigner les enfants et toute personne se trouvant à proximité pendant l'utilisation d'un outil électrique.** Ceux-ci pourraient vous distraire et vous faire perdre la maîtrise de l'appareil.

2. Sécurité électrique

a. **Les prises des outils électriques doivent correspondre aux prises du secteur. Ne modifiez jamais la prise en aucune façon. N'utilisez jamais d'adaptateur avec les outils électriques mis à la terre.** Des prises non modifiées, adaptées aux boîtiers de prise de courant, réduisent les risques de décharge électrique.

b. **Éviter le contact corporel avec les surfaces mises à la terre telles que tuyaux, radiateurs, cuisinières et réfrigérateurs.** Le risque de décharge électrique est plus important si votre corps est mis à la terre.

c. **Ne pas exposer votre outil électrique à la pluie ou à l'humidité.** L'infiltration d'eau dans un outil électrique augmentera le risque de décharge électrique.

d. **Ne pas maltraiter le cordon électrique. N'utilisez jamais le cordon électrique pour porter, tirer ou débrancher l'outil électrique.** Conservez le cordon électrique à l'écart de la chaleur, de l'essence, de bords tranchants ou de pièces en mouvement. Un cordon électrique endommagé ou entortillé accroît le risque de décharge électrique.

e. **Au cas où l'outil électroportatif serait utilisé à l'extérieur, servez-vous d'une rallonge appropriée à une utilisation en extérieur.** Cela réduit le risque de décharge électrique.

f. **Si une utilisation de l'outil dans un environnement humide ne peut être évitée, utilisez une alimentation protégée par un disjoncteur différentiel.** L'utilisation d'un disjoncteur différentiel réduit le risque de décharge électrique.

3. Sécurité des personnes

a. **Rester vigilant et faire preuve de sens lors de la manipulation de l'outil. Ne pas utiliser d'outil électrique en état de fatigue ou sous l'influence de drogues, d'alcool ou de médicaments.** Un moment d'inattention pendant l'utilisation d'un outil électrique peut se traduire par des blessures graves.

b. **Porter des équipements de protection. Porter toujours des lunettes de protection. Le port d'équipements de protection tels que des masques à poussières, des chaussures de sécurité antidérapantes, un casque de sécurité ou des protections antibruit, selon le travail à effectuer, réduira le risque de blessures aux personnes.**

c. **Éviter tout démarrage accidentel. S'assurer que l'interrupteur marche-arrêt soit en position d'arrêt (Off) avant de brancher l'outil sur l'alimentation secteur. Porter un outil électrique tout en maintenant le doigt posé sur l'interrupteur ou brancher un outil électrique dont l'interrupteur est sur la position de marche (On) est source d'accidents.**

d. **Enlever tout clé ou tout instrument de réglage avant de mettre l'outil électrique en marche. Une clé ou un instrument de réglage laissé fixé à un élément en rotation de l'outil électrique peut entraîner des blessures physiques.**

e. **Ne pas essayer d'atteindre une zone hors de portée. Se tenir toujours en position stable et conserver l'équilibre.** Cela permet de mieux contrôler l'outil électrique dans des situations inattendues.

f. **Porter des vêtements appropriés. Ne pas porter de vêtements amples ou des bijoux pendants.** Les vêtements amples, les bijoux pendants ou les cheveux longs peuvent être happés par les pièces en mouvement.

g. **Si l'outil est pourvu de dispositifs destinés au raccord d'équipements d'extraction et de récupération de la poussière/sciure, s'assurer qu'ils soient bien fixés et utilisés correctement.** L'utilisation de ces dispositifs peut réduire les risques dus à la poussière.

4. Utilisation et entretien des outils électriques

a. **Ne pas surcharger l'outil électrique. Utiliser l'outil électrique approprié au travail à effectuer.** Un outil électrique adapté et employé au rythme pour lequel il a été conçu permettra de réaliser un travail de meilleure qualité et dans de meilleures conditions de sécurité.

b. **Ne pas utiliser un outil électrique dont l'interrupteur marche-arrêt est hors service.** Tout outil électrique dont la commande ne s'effectue plus par l'interrupteur marche-arrêt est dangereux et doit être réparé.

c. **Débrancher l'outil électrique avant d'effectuer tout réglage, changement d'accessoire ou avant de le ranger.** De telles mesures préventives réduiront les risques de démarrage accidentel.

d. **Ranger les outils électriques inutilisés hors de portée des enfants et ne pas permettre l'utilisation de ces outils aux personnes novices ou n'ayant pas connaissance de ces instructions.** Les outils électriques sont dangereux dans les mains d'utilisateurs inexpérimentés.

e. **Veiller à l'entretien des outils électriques. Vérifier que les éléments rotatifs soient bien alignés et non grippés. S'assurer de l'absence de pièces cassées ou endommagées susceptibles de nuire au bon fonctionnement de l'outil.** Si l'outil électrique est endommagé, le faire réparer avant toute utilisation. De nombreux accidents sont causés par l'utilisation d'outils électriques mal entretenus.

f. **Garder les outils de coupe affûtés et propres.** Des outils de coupe bien entretenus, aux tranchants bien affûtés, sont moins susceptibles de se gripper et sont plus faciles à contrôler.

g. **Utiliser l'outil électrique, les accessoires et les outils à monter, etc., conformément à ces instructions et selon l'utilisation prévue pour le type d'outil donné, en tenant compte des conditions de travail et de la tâche à réaliser.** Toute utilisation de cet outil électrique autre que celle pour laquelle il a été conçu peut entraîner des situations à risque et entraînerait une annulation de sa garantie.

5. Entretien

a. **Ne faire réparer l'outil électrique que par un réparateur qualifié utilisant uniquement des pièces de rechange identiques.** Cela permettra d'assurer la sécurité continue de cet outil électrique.

Consignes de sécurité relatives aux appareils de ponçage

⚠ AVERTISSEMENT !

- Tenez l'outil uniquement par les surfaces de préhension isolantes, pendant les opérations au cours desquelles l'accessoire coupant peut être en contact avec des conducteurs cachés ou avec son propre câble. Le contact de l'accessoire coupant avec un fil sous tension peut mettre sous tension les parties métalliques des outils électrique et provoquer un choc électrique sur l'opérateur.
- Utilisez un étai ou tout autre moyen pratique et sûr pour maintenir la pièce de travail stable. Le fait de la tenir entre ses mains ou contre son corps la rend instable et peut conduire à une perte de maîtrise de l'objet.
- Il est recommandé d'utiliser un dispositif à courant différentiel avec un courant résiduel nominal de 30 mA ou moins.
- Si le remplacement du câble d'alimentation s'avérait nécessaire, celui-ci ne devrait être réalisé que par le fabricant ou un centre agréé afin d'éviter tout risque pour la sécurité.
- Munissez-vous TOUJOURS des équipements de sécurité appropriés, parmi lesquels un masque contre les poussières d'une protection minimum FFP2, des lunettes de sécurité et un casque anti-bruit.
- Il vous appartient de veiller à ce que les personnes se trouvant à proximité de votre zone de travail soient également protégées par des équipements adéquats.
- Observez une prudence particulière lors du ponçage de certaines essences de bois (le hêtre, le chêne, l'acajou et le teck, par exemple) car la poussière produite est toxique et peut provoquer des réactions aiguës chez certaines personnes.
- N'utilisez JAMAIS cette ponceuse sur des matériaux contenant de l'amiante. Si vous n'êtes pas certain de la présence ou non d'amiante, veuillez consulter l'avis d'un professionnel.
- NE ponchez PAS le magnésium ni les alliages qui en contiennent une proportion élevée. En effet, ce sont des peintures de finition et des traitements qui peuvent avoir été appliqués sur la matière à poncer. De nombreux traitements peuvent produire une poussière toxique ou dangereuse pour la santé. Si vous travaillez dans un bâtiment dont la construction est antérieure à 1960, sachez que la présence de peintures à base de plomb est fort probable.
- La poussière produite par le ponçage des peintures à base de plomb est particulièrement dangereuse pour les enfants, les femmes enceintes et les personnes atteintes d'hypertension. Faites en sorte que ces personnes SE TIENNENT À L'ÉCART de la zone de travail, même si elles portent un équipement de protection adéquat.
- Dans la mesure du possible, employez un système d'extraction des poussières pour mieux contrôler la dispersion des poussières.

- i. **Observez la plus grande prudence lors de l'utilisation d'un même appareil pour poncer le bois et le métal. Les étincelles du métal peuvent aisément enflammer les poussières de bois. Nettoyez toujours complètement l'outil pour réduire le risque d'incendie.**
- j. **Videz régulièrement le sac ou conteneur de poussières (si applicable) durant l'utilisation de l'appareil, avant de faire une pause et après avoir fini de réaliser votre ponçage.**
L'accumulation de poussières peut constituer un risque d'explosion. NE PAS jeter les poussières de ponçage à une flamme nue. Une combustion spontanée peut se produire lorsque des particules d'eau et d'huile entrent en contact avec des particules de poussières. Veuillez éliminer les déchets produits avec précaution et en respectant les réglementations en vigueur.
- k. **Les surfaces de travail et le papier abrasif peuvent atteindre des températures très élevées au cours du travail ; en cas de signe de combustion (fumée ou cendre) de la surface de travail, arrêtez l'opération en cours et attendez que le matériel refroidisse.**
NE touchez PAS la surface de travail ni le papier abrasif avant qu'ils n'aient eu le temps de refroidir.
- l. **Ne touchez pas la feuille de ponçage lorsqu'elle est en mouvement.**
- m. **Éteignez toujours l'appareil avant de le déposer.**
- n. **NE PAS utiliser cet appareil pour un ponçage humide.** *Tout liquide qui pénétrerait dans le boîtier du moteur pourrait causer de très graves chocs électriques.*
- o. **Débranchez toujours l'appareil avant de procéder au changement ou à l'installation d'un accessoire.**
- p. **Même lorsque l'outil est utilisé comme indiqué, il est impossible d'éliminer tous les facteurs de risque résiduels. Si vous avez des doutes quant à la manière sûre et correcte de procéder, il est recommandé de ne pas utiliser cet outil.**

Descriptif du produit

1. Régulateur de vitesse
2. Interrupteur marche/arrêt
3. Trous pour le montage sur établi
4. Événements du moteur
5. Trous pour le guide de rebords
6. Cordon d'alimentation
7. Adaptateur pour tubulure d'extracteur de poussières (amovible)
8. Base pour le ponçage
9. Manchon de ponçage
10. Boulon de serrage
11. Rondelle du cylindre
12. Surfaces de préhension en caoutchouc
13. Attaches pour le montage sur établi
14. Tapis protecteur pour le montage sur établi
15. Cylindre pour manchon de ponçage
16. Guide de bords
17. Vis de blocage du guide rebords (x 2)
18. Cylindres pour manchon de ponçages supplémentaires

Usage conforme

Ponceuse à cylindre oscillant compacte et portable idéale pour tâches d'intensité légère de ponçage de contours, de parois internes incurvées ou encore pour reproduire un même travail à l'aide d'un modèle. Peut-être utilisée à la fois comme outil portatif ou stationnaire, montée sur établi.

Déballage

- Déballer le produit avec soin. Veuillez à retirer tout le matériel d'emballage et familiariser-vous avec toutes les caractéristiques du produit.
- Si des pièces sont endommagées ou manquantes, faites-les réparer ou remplacer avant d'utiliser l'appareil.

Avant utilisation

⚠ ATTENTION : Assurez-vous que l'outil est éteint et débranché de la source d'alimentation avant de procéder à la pose ou au retrait d'un accessoire, ou de réaliser toute opération de réglage, de nettoyage ou d'entretien.

Choisir le manchon de ponçage approprié

- Des manchons de ponçage sont disponibles de granulométries différentes : grain gros (grain 60), moyen (grain 120) et fin (grain 240).
- Utilisez un gros grain pour un dégrossissage, un grain moyen pour rendre la pièce de travail lisse, et un grain fin pour une finition parfaite.
- Utilisez toujours des manchons de ponçage de bonne qualité pour optimiser la qualité de finition de la tâche.
- Il est recommandé d'effectuer un test sur une chute de matériau pour choisir le papier abrasif adéquat selon la tâche à réaliser. S'il y a toujours des marques après le ponçage, essayez de les enlever en ponçant à nouveau avec le disque à grain grossier avant de recommencer à poncer avec le grain initial, ou bien, essayez d'utiliser un disque abrasif neuf afin d'éliminer toute marque non désirée avant de passer à un disque de grain plus fin qui va servir à parfaire la finition.

Pose d'un manchon de ponçage

⚠ ATTENTION : Assurez-vous que l'outil est éteint et débranché de la source d'alimentation avant de procéder à la pose ou au retrait d'un manchon de ponçage.

Remarque : Cessez d'utiliser tout manchon de ponçage usé, déchiré ou fortement encrassé. Veuillez à retirer tout élément étranger (clous, vis, etc.) de la pièce à poncer avant de commencer le ponçage.

ATTENTION : N'UTILISEZ PAS un manchon de ponçage ayant préalablement été utilisé sur du métal si vous souhaitez poncer du bois. Cela pourrait occasionner des rayures sur la surface de bois à poncer.

1. Retirez le boulon de serrage (10) et la rondelle du cylindre (11).
2. Retirez le cylindre pour manchon de ponçage (15).
3. Faites glisser un manchon de ponçage (9) sur le cylindre (Fig. A).
4. Remettez le cylindre avec son manchon sur l'arbre (Fig. B).
5. Remettez la rondelle du cylindre (Fig. C) en place ainsi que le boulon de serrage et serrez bien (Fig. D).

Remarque : Schéma de l'assemblage en Fig. I.

Extraction des poussières

⚠ ATTENTION : Installez toujours un système d'évacuation des poussières/sciures qui soit adapté si le matériau à poncer contient des substances toxiques telles que de la peinture ancienne, du vernis, des revêtements protecteurs, etc. Débarrassez-vous toujours de ces poussières toxiques conformément à la législation en vigueur dans votre pays.

⚠ ATTENTION : Prenez toutes les mesures de protection possibles vis-à-vis des poussières toxiques ou nocives lors du ponçage de surfaces ayant reçu de la peinture au plomb, du métal ou de certaines essences de bois, notamment si vous n'êtes pas sûr des substances en présence. Toute personne pénétrant dans la zone de travail doit être pourvue d'un masque conçu pour protéger contre les poussières et vapeurs toxiques. Les enfants et les femmes enceintes ne DOIVENT PAS pénétrer dans la zone de travail. NE PAS manger, boire ni fumer dans la zone de travail.

- Cette ponceuse est spécialement conçue pour être branchée à un tuyau d'aspirateur domestique ou à un système d'extraction des poussières pour atelier. Cela constitue le moyen le plus recommandé et le plus efficace pour l'extraction de poussières.
- Branchez un tuyau d'aspiration compatible avec l'adaptateur pour tubulure d'extracteur de poussières (7).
- Pour retirer l'adaptateur pour tubulure d'extracteur de poussières : tournez-le dans le sens contraire des aiguilles d'une montre de sorte que les goupilles se placent dans l'alignement des encoches de la tubulure puis, retirez-le.
- Pour remettre l'adaptateur pour tubulure d'extracteur de poussières en place : Insérez-le alors que les goupilles de la tubulure sont alignées avec les encoches de la tubulure puis, tournez l'adaptateur dans le sens des aiguilles d'une montre pour le bloquer en position (Fig. E).
- Cette ponceuse à cylindre oscillant compacte peut être utilisée sans adaptateur ni système d'extraction des poussières. Toutefois, il est vivement recommandé d'utiliser toujours un dispositif d'extraction des poussières approprié.

ATTENTION : Lorsque vous réalisez un ponçage sur du métal, vous devez toujours brancher un système d'extraction approprié. Une fois l'application terminée, vous devez nettoyer SOIGNEUSEMENT l'appareil, tout particulièrement lorsque vous passez d'un ponçage sur bois au ponçage du métal, et vice versa.

Remarque : Un sac à poussières n'est pas fourni avec cette ponceuse car celle-ci nécessite l'utilisation d'un extracteur de poussières garantissant une extraction des poussières optimale. Le recours à un sac à poussières d'une autre marque ne constitue pas une méthode efficace pour l'extraction des poussières et par conséquent ne saurait être recommandé.

Instructions d'utilisation

⚠ ATTENTION : Portez toujours des lunettes de sécurité, un masque à poussières adéquat, des protections auditives et des gants appropriés lorsque vous utilisez cet appareil.

ATTENTION : Ne touchez jamais le manchon de ponçage (9) lorsque la ponceuse est en marche.

Remarque : Si possible, utilisez toujours des serre-joints pour maintenir la pièce d'ouvrage sur l'établi.

ATTENTION : Ne laissez JAMAIS un manchon de ponçage s'user complètement avant de le changer. Le non-respect de cette consigne peut entraîner une usure du cylindre spécialement prévu pour recevoir le manchon de ponçage (15), ce qui pourrait avoir pour conséquence de l'abîmer et ainsi, de ne plus garantir une bonne fixation du manchon de ponçage.

Mettre en marche/arrêt

ATTENTION : N'allumez jamais l'appareil alors que le manchon de ponçage est en contact avec la pièce d'ouvrage ou toute autre surface car cela pourrait conduire à une perte de contrôle de l'appareil, ce qui pourrait constituer pour l'opérateur un risque de se blesser gravement.

1. Branchez le câble d'alimentation à la prise de courant.
2. Pour allumer la ponceuse, appuyez l'interrupteur marche/arrêt (2) pour le mettre sur position '1'.
3. Pour éteindre la ponceuse, appuyez le bouton marche/arrêt pour le mettre sur position '0'.

ATTENTION : Attendez toujours l'arrêt complet de l'appareil avant de le reposer. Pensez toujours à le débrancher après utilisation.

Régler la vitesse de l'outil

⚠ AVERTISSEMENT : N'installez jamais un accessoire sur le cylindre pour manchon de ponçage (15) qui ne soit pas adapté à la vitesse à vide maximale de cet appareil (voir section 'Caractéristiques techniques' du présent manuel).

- Cette ponceuse Triton est pourvue d'un régulateur de vitesse qui lui donne la capacité d'être utilisée avec de nombreux accessoires pour s'adapter à une grande variété de tâches sur différents matériaux, pièces d'ouvrages ou objets.

Remarque : Le régulateur de vitesse (1) peut être réglé indifféremment alors que l'appareil est allumé ou éteint. Lorsque le régulateur est positionné sur '1' la vitesse à vide de l'appareil est alors de 1 800 tr/min alors que lorsque le régulateur de vitesse est mis en position sur le '6' la vitesse à vide maximale atteinte sera de 3 200 tr/min.

- Pour régler la vitesse, faites tourner le régulateur et positionnez le sur le réglage correspondant à la vitesse désirée.
- La vitesse peut être sélectionnée sur une plage comprise entre 1 et 6, la position '1' correspondant à la vitesse la plus basse et la position '6' correspondant à la position la plus élevée.
- En cas de doute quant à la vitesse la mieux adaptée à la tâche à réaliser, commencez par sélectionner une vitesse basse puis, vérifiez le résultat obtenu avant de régler à une vitesse plus élevée si nécessaire.

Ponçage de bords

- Cette ponceuse à cylindre oscillant compacte est particulièrement efficace pour le ponçage de bords pour une multitude de pièces d'ouvrage à surface plate (Fig. F).
 - Le guide de bords (16) peut être fixé sur la ponceuse si nécessaire (Fig. J). Appliquez le guide de bords contre la ponceuse et fixez-le à la position voulue grâce aux vis spécialement prévues (17) (Fig. I).
1. La ponceuse doit être placée avec sa base pour le ponçage (8) mise à plat sur la pièce d'ouvrage et le manchon de ponçage (9) face tournée vers le bas. Veillez à laisser suffisamment d'espace pour permettre la longueur de course nécessaire au mouvement oscillant de la ponceuse allant de haut en bas.
 2. Vous devez d'abord allumer le système d'extraction des poussières (si déjà branché), puis allumer votre ponceuse.
 3. Effectuez des passes courtes sur toute la bordure de la pièce d'ouvrage, en procédant lentement.
 4. Laissez la ponceuse agir et n'appliquez pas de force excessive sur la ponceuse en l'appuyant contre la pièce d'ouvrage. En effet, cela pourrait endommager à la fois l'outil et la pièce d'ouvrage, voire occasionner un risque de blessures pour l'opérateur.

Remarque : Si vous utilisez le guide de bords, commencez toujours par poncer par un coin ou les bords de la pièce d'ouvrage. Commencez par la partie avant en procédant progressivement ensuite sur toute la surface.

Montage inversé de la ponceuse sur l'établi

⚠ AVERTISSEMENT : Assurez-vous toujours que la ponceuse soit éteinte et débranchée avant de procéder au montage sur établi de votre ponceuse.

- Cette ponceuse à cylindre oscillant compacte est particulièrement efficace pour le ponçage de bords d'une multitude de pièces d'ouvrage lorsque elle est montée sur établi en position inversée (Fig. G).
1. Disposez le tapis protecteur spécialement prévu pour le montage sur établi (14) près du bord d'un établi parfaitement stable.
 2. Placez la ponceuse en position inversée, tête en bas, sur le tapis et fixez l'ensemble sur l'établi à l'aide des attaches spécialement prévues pour le montage (13). Veillez à ce que la ponceuse soit bien fixée sur l'établi à l'aide des écrous papillon présentes sur les pinces de serrage.
 3. Raccordez le tuyau de votre système d'extraction des poussières à l'adaptateur pour tubulure d'extracteur de poussières (le cas échéant).

Remarque : Le recours à un système d'extraction des poussières approprié est toujours vivement recommandé lorsque la ponceuse est utilisée montée en position sur l'établi.

4. Sélectionnez la vitesse voulue à l'aide du régulateur de vitesse (1).
5. Allumez votre système d'extraction (si déjà branché) puis allumez votre ponceuse.
6. Servez-vous de la base pour le ponçage (8) comme d'une surface de travail plane pour stabiliser la pièce d'ouvrage à poncer.
7. Laissez la ponceuse agir et n'appliquez pas de force excessive sur la ponceuse en appuyant la pièce d'ouvrage trop fort contre le manchon de ponçage (9). En effet, cela pourrait endommager à la fois l'outil et la pièce d'ouvrage, voire occasionner un risque de blessures pour l'opérateur.

Conseils pour le ponçage

- Si l'appareil est connecté à un système d'extraction des poussières, mettez en marche le système avant de mettre en marche la ponceuse. De même, arrêtez la ponceuse avant d'éteindre le système d'extraction.
- Si possible utilisez un étai ou un serre-joint pour fixer la pièce solidement à un établi. Assurez-vous que la pièce ne puisse pas bouger pendant le ponçage.

ATTENTION : Appliquer une pression excessive n'entraîne pas un ponçage plus rapide, mais engendre une usure prématurée du manchon de ponçage (9) et peut endommager la machine. C'est le choix du manchon de ponçage qui va principalement déterminer la qualité de finition obtenue (référez-vous à la section « Choisir le manchon de ponçage approprié » du présent manuel).

Ponçage du métal

⚠ ATTENTION : Certaines précautions supplémentaires doivent être prises lors de ponçage sur métal.

- Connectez TOUJOURS votre ponceuse à un disjoncteur différentiel.
- Connectez TOUJOURS votre ponceuse à un système d'extraction de la poussière adapté.
- Nettoyez TOUJOURS votre ponceuse soigneusement avant de vous en servir pour poncer sur du métal.

⚠ ATTENTION : Les particules de métal chaudes et les étincelles pourraient enflammer la poussière de bois résiduelle. Nettoyez TOUJOURS votre ponceuse scrupuleusement quand vous passez d'un ponçage sur bois à un ponçage sur métal, et vice versa.

- Un manchon de ponçage qui a été utilisé sur du métal ne doit pas être utilisé sur du bois par la suite. Des particules métalliques résiduelles pourraient égratigner et endommager la surface de votre pièce d'ouvrage.

Accessoires

- Toute une gamme d'accessoires, comprenant des manchons de ponçage de granulométrie variée, est disponible auprès de votre revendeur Triton. Pour votre sécurité, n'utilisez que des accessoires Triton authentiques. Des pièces de rechange peuvent être obtenues auprès de votre revendeur Triton ou commandées en ligne sur www.toolsparsonline.com

Entretien

⚠ AVERTISSEMENT : Pensez TOUJOURS à débrancher l'appareil avant de procéder à toute opération d'inspection, d'entretien ou de nettoyage.

Cet outil a été conçu en utilisant des composants de première qualité et dispose de circuits internes intelligents spécialement pensés pour protéger aussi bien l'appareil que ses composants. Dans des conditions normales d'utilisation, cet appareil devrait bénéficier d'une longue durée de vie.

Inspection générale

- Vérifiez régulièrement que toutes les vis de fixations soient toujours bien serrées. Elles peuvent devenir lâches au cours du temps à cause des vibrations.
- Vérifiez le câble d'alimentation de l'appareil avant chaque utilisation, à la recherche de tout signe de dommage ou d'usure. Toute réparation doit être réalisée par un centre agréé Triton. Ceci s'applique également pour les rallonges utilisées avec cet appareil.

Lubrification

- Lubrifiez régulièrement les parties mobiles avec un vaporisateur de lubrifiant approprié.

Nettoyage

ATTENTION : Portez TOUJOURS un équipement de protection comprenant des lunettes de protection ainsi que des gants adaptés lorsque vous nettoyez cet outil.

- Gardez l'appareil propre en permanence. La poussière et la saleté provoquent l'usure rapide des éléments internes et réduisent la durée de vie de l'appareil.
- Nettoyez le boîtier de la machine à l'aide d'une brosse souple ou d'un chiffon sec.
- N'utilisez jamais d'agents caustiques sur les parties plastiques. Si un nettoyage sec ne suffit pas, il est recommandé d'utiliser un détergent doux sur un chiffon humide.
- L'appareil ne doit jamais être mis en contact avec de l'eau.
- Assurez-vous que l'appareil soit complètement sec avant de l'utiliser.
- Si vous en avez la possibilité, nettoyez les orifices de ventilation à l'air comprimé propre et sec (le cas échéant).

Entretien du cylindre pour manchon de ponçage

- La surface du cylindre pour manchon de ponçage (15) doit être en permanence maintenue propre et exempte de toute trace de saletés ou de corps étrangers tels que cheveux, fibres, sable ou poussières, etc.
- Pour conserver une adhérence optimale en vue de la fixation d'accessoires, la surface du cylindre pour manchon de ponçage doit être tenue en bon état.
- Au cours du temps et des utilisations, le cylindre va s'user jusqu'à ne plus pouvoir assurer le maintien adéquat des manchons car son diamètre sera réduit.

Remarque : Les cylindres pour manchons de ponçage de cette perceuse NE sont PAS couverts par la garantie. À noter cependant que des cylindres de rechange sont disponibles auprès d'un centre de réparation agréé Triton.

Entretien de la tubulure d'extraction des poussières

- Occasionnellement, il pourrait être nécessaire de déboucher ou de nettoyer la tubulure d'extraction des poussières ainsi que le conduit.
1. Pour nettoyer la tubulure et le conduit, commencez par retirer le cylindre pour manchon de ponçage (15) (référez-vous à la section « Pose d'un manchon de ponçage » du présent manuel).
 2. À l'aide d'un tournevis (non fourni), desserrez les vis situées sur la base (8) pour la retirer. Faites attention de ne pas desserrer les rondelles placées sous la base au niveau de chaque trou de vis (Fig. H).
 3. Retirez la plaque métallique située sur la base pour le ponçage pour découvrir le conduit de la tubulure des poussières (Fig. I).
 4. Nettoyez la partie interne du conduit, la tubulure ainsi que la partie creuse de la courroie à l'aide d'une brosse puis d'air comprimé.
 5. Après avoir procédé à un nettoyage minutieux, remettez la base pour le ponçage en position et resserrez bien les vis pour la faire tenir en place.
 6. Enfin, remettez le cylindre pour manchon de ponçage dans sa position initiale.

ATTENTION : Une fois les opérations de nettoyage et d'entretien accomplies, vérifiez que tous les éléments de fixation tels que rondelles, vis et boulons soient bien en place et bien serrés avant d'envisager de réutiliser votre perceuse. Si vous observez des vibrations excessives de votre perceuse ou que celle-ci émet des bruits à la fois inhabituels et étranges, vous devez ARRÊTER d'utiliser votre perceuse, l'éteindre et la débrancher. Répétez les étapes prévues pour la procédure de nettoyage afin de vous assurer que chaque élément a été remis en place correctement. Si le niveau sonore et vibratoire persiste à être particulièrement élevé, adressez-vous à un technicien qualifié Triton.

Entreposage

- Ranger cet outil et ses accessoires dans sa sacoche, dans un endroit sûr, sec et hors de portée des enfants.

Traitement des déchets

Lorsque l'appareil n'est plus en état de fonctionner et qu'il n'est pas réparable, veillez à recycler l'appareil toujours conformément aux réglementations nationales.

- Ne jetez pas les outils électriques, batteries et autres équipements électriques ou électroniques (DEEE) avec les ordures ménagères.
- Contactez les autorités locales compétentes en matière de gestion des déchets pour vous informer de la procédure à suivre pour recycler les outils électriques.

Si mon appareil ne fonctionne pas

Problème	Cause possibles	Solutions
Ne fonctionne pas lorsque l'interrupteur marche/arrêt (2) est activé	Pas de courant	Vérifiez l'alimentation électrique
	Interrupteur marche/arrêt défectueux	Faites remplacer l'interrupteur marche/arrêt auprès d'un centre Triton agréé
Le moteur coupe, sa performance est réduite et il produit des étincelles et/ou une odeur de brûlé	Balais de charbon usés	Faites remplacer les balais de charbon auprès d'un centre Triton agréé
Aucun ponçage lorsque l'interrupteur marche/arrêt (2) est activé, bien que le moteur soit en marche	Les vitesses ne sont pas enclenchées	Adressez-vous à une centre Triton agréé
Ponçage lent	Manchon de ponçage (9) de granulométrie trop fine ou usé	Choisissez un manchon de ponçage avec un grain plus grossier
	Vitesse de l'appareil trop basse	Augmentez la vitesse
Rayures sur la pièce de travail après le ponçage	Grain du manchon de ponçage trop grossier	Choisissez un manchon de ponçage avec un grain plus fin
	Ponçage inachevé	Continuez le ponçage
Marques de brûlure sur la pièce de travail	Manchon de ponçage incompatible avec le matériau	Choisissez un manchon de ponçage approprié
	Vitesse trop élevée	Réduisez la vitesse
	Trop de pression exercée sur la perceuse	Exercez moins de pression dans vos mouvements
Dégagement important de poussières	Le système d'extraction de la poussière n'est pas connecté, ou le système d'extraction n'est pas connecté	Vérifiez la connexion du tuyau d'aspirateur ou de l'adaptateur (7) (le cas échéant), et assurez-vous que le système d'extraction de la poussière soit allumé
	Le système d'extraction des poussières ne fonctionne pas ou le conduit d'extraction est bloqué	Vérifiez le système d'extraction des poussières et débloquez le conduit, le cas échéant (référez-vous à la section « Entretien de la tubulure d'extraction des poussières » du présent manuel). Si le problème persiste, adressez-vous à un centre d'entretien Triton agréé

Garantie

Pour valider votre garantie, rendez-vous sur notre site internet www.tritontools.com* et saisissez vos coordonnées.

Vos coordonnées seront introduites dans notre liste de diffusion (sauf indication contraire) afin de vous informer de nos prochaines nouveautés. Les informations que vous nous fournirez ne seront pas communiquées à des tiers.

Pense-bête

Date d'achat : ___/___/___

Modèle: **TSPSP650**

Veuillez conserver votre ticket de caisse comme preuve d'achat.

Déclaration de conformité CE

Le soussigné : M. Darrell Morris

Autorisé par : Triton

Déclare que : La présente déclaration est établie sous la responsabilité exclusive du fabricant. La présente déclaration de conformité est rédigée conformément à la législation d'harmonisation de l'Union Européenne pertinente

Code d'identification : 949538

Description : Ponceuse à cylindre oscillant compacte, 650 W

Est conforme aux directives suivantes :

- Directive sur les machines 2006/42/CE
- Directive sur la compatibilité électromagnétique 2014/30/UE
- Directive RoHS 2011/65/UE
- EN 60745-1:2009+A11:2010
- EN ISO 12100:2010
- EN 55014-1:2006+A2:2011
- EN 55014-2:2015
- EN 61000-3-2:2014
- EN 61000-3-3:2013

Si toute pièce de ce produit s'avérait défectueuse du fait d'un vice de fabrication ou de matériau dans les 12 MOIS suivant la date d'achat, Triton Precision Power Tools s'engage auprès de l'acheteur de ce produit à réparer ou, à sa discrétion, à remplacer gratuitement la pièce défectueuse.

Cette garantie ne s'applique pas à l'utilisation commerciale et ne s'étend pas non plus à l'usure normale ou aux dommages causés par des accidents, des mauvais traitements ou une utilisation non conforme de votre appareil.

* Enregistrez votre produit en ligne dans les 30 jours suivant la date d'achat.

Offre soumise à conditions.

Ceci n'affecte pas vos droits statutaires.

Organisme notifié : TÜV Rheinland Co., Ltd

La documentation technique est conservée par : Triton

Date : 17/05/17

Signature :



M. Darrell Morris

Directeur général

Nom et adresse du fabricant ou de son représentant agréé :

Powerbox International Limited, entreprise enregistrée sous le numéro 06897059.

Siège social : Powerbox, Boundary Way, Luton Trading Estate, Yeovil, Somerset,

BA22 8HZ, Royaume Uni.

Übersetzung der Originalbetriebsanleitung

Einführung

Vielen Dank, dass Sie sich für dieses Triton-Werkzeug entschieden haben. Diese Anleitung enthält wichtige Informationen für das sichere und effektive Arbeiten mit diesem Produkt. Bitte lesen Sie diese Anleitung sorgfältig durch, um den größtmöglichen Nutzen aus dem einzigartigen Design dieses Produkts ziehen zu können. Bewahren Sie diese Anleitung griffbereit auf und sorgen Sie dafür, dass alle Benutzer dieses Geräts sie gelesen und verstanden haben.

Symbolerklärung

Auf dem Typenschild des Werkzeugs sind möglicherweise Symbole abgebildet. Sie vermitteln wichtige Informationen über das Produkt oder dienen als Gebrauchsanweisung.



Gehörschutz tragen
Augenschutz tragen
Atemschutz tragen
Kopfschutz tragen



Schutzhandschuhe tragen



WARNUNG! Zur Verringerung der Verletzungsgefahr Bedienungsanleitung sorgfältig lesen



Staubabsaugung erforderlich bzw. empfohlen



Nur für den Innengebrauch!



Vor Einstellungsänderungen, Zubehörwechseln, Reinigungs- und Instandhaltungsarbeiten sowie bei Nichtgebrauch stets von der Spannungsversorgung trennen!



Schutzklasse II (für zusätzlichen Schutz doppelt isoliert)



Umweltschutz Elektroaltgeräte dürfen nicht über den Haushaltsmüll entsorgt werden. Nach Möglichkeit bitte über entsprechende Einrichtungen entsorgen. Lassen Sie sich bezüglich der sachgemäßen Entsorgung von Elektrowerkzeugen von der zuständigen Behörde oder dem Händler beraten.



Erfüllt die einschlägigen Rechtsvorschriften und Sicherheitsnormen



Achtung, Gefahr!



Giftige Dämpfe oder Gase!

Verzeichnis der technischen Symbole und Abkürzungen

V	Volt
~, AC	Wechselstrom
A, mA	Ampere, Milliampere
n ₀	Leerlaufdrehzahl
Os _{z./Min.}	Kreisbahnen oder Oszillationen pro Minute
Ø	Durchmesser
Hz	Hertz
W, kW	Watt, Kilowatt
/min	Drehzahl, d.h. Umdrehungen pro Minute
min ⁻¹	Drehzahl, d.h. Umdrehungen pro Minute
dB(A)	Schallpegel in Dezibel (A-bewertet)
m/s ²	Quadratmeter pro Sekunde (Schwingungsstärke)

Technische Daten

Modellbezeichnung	TSPSP650
Spannung	EU 230–240 V
Leistung	650 W
Leerlaufdrehzahl	1800-3200 min ⁻¹
Spindeloszillationen	50-90 Os _{z./Min.}
Oszillationshub	6,5 mm
Schleifhülsehöhe	76 mm
Schleifhülsendurchmesser	Ø13 mm, Ø19 mm, Ø26 mm, Ø38 mm (¼", 1", 1 ½")
Schutzklasse	
Schutzart	IP 20
Netzkabellänge	2 m
Geräteabmessungen (L x H x B)	262 x 261 x 84 mm
Gewicht	2,2 kg
Geräusch- und Vibrationsinformationen	
Schalldruckpegel L _{PA}	86,4 dB(A)
Schalleistungspegel L _{WA}	97,4 dB(A)
Unsicherheit K	3 dB
Hand-Arm-Vibration a _h	4,874 m/s ²
Unsicherheit K	1,5 m/s ²
Der Schallintensitätspegel kann für den Bediener 85 dB(A) übersteigen und Lärmschutzmaßnahmen sind notwendig.	

Aufgrund der fortlaufenden Weiterentwicklung unserer Produkte können sich die technischen Daten von Triton-Produkten ohne vorherige Ankündigung ändern.

WARNUNG! Tragen Sie in Bereichen, in denen der Lärmpegel 85 dB(A) überschreitet, unbedingt angemessenen Gehörschutz und begrenzen Sie nach Möglichkeit die Belastungsdauer. Sollte trotz Gehörschutz Unbehagen irgendeiner Art auftreten, beenden Sie die Arbeit unverzüglich und überprüfen Sie den Gehörschutz auf korrekten Sitz und Funktion und stellen Sie sicher, dass dieser einen angemessenen Schutz für den Lärmpegel bietet, der von den verwendeten Werkzeugen ausgeht.

WARNUNG! Bei der Benutzung mancher Werkzeuge wird der Benutzer Vibrationen ausgesetzt, welche zum Verlust des Tastsinns, zu Taubheitsgefühl, Kribbeln und zu einer Verminderung der Handgrieffkraft führen können. Langfristige Belastung kann zu chronischen Beschwerden führen. Begrenzen Sie, falls nötig, die Exposition zu Vibrationen und tragen Sie vibrationsmindernde Handschuhe. Verwenden Sie dieses Werkzeug nicht mit kalten Händen, da Vibrationen bei Temperaturen unter dem individuellen Komfortbereich eine stärkere Wirkung zeigen. Beurteilen Sie die Vibrationsbelastung unter Zuhilfenahme der Technischen Daten des jeweiligen Werkzeuges und bestimmen Sie die zulässige Belastungsdauer und -häufigkeit.

Die in den Technischen Daten angegebenen Geräusch- und Vibrationsinformationen werden nach EN 60745 bzw. vergleichbaren internationalen Standards bestimmt. Die angegebenen Werte beziehen sich auf eine normale Benutzung des Werkzeuges unter normalen Arbeitsbedingungen. Schlecht gewartete, inkorrekt montierte und unsachgemäß verwendete Werkzeuge können erhöhte Schallpegel und Vibrationswerte aufweisen. Weitere Informationen zur EU-Vibrationsrichtlinie und zu Schall- sowie Vibrationsbelastungen, die auch für Heimanwender relevant sein können, finden Sie auf den Seiten der Europäischen Agentur für Sicherheit und Gesundheitsschutz am Arbeitsplatz: www.osha.europa.eu.

Allgemeine Sicherheitshinweise

WARNUNG! Lesen Sie alle Sicherheitshinweise und Anweisungen. Versäumnisse bei der Einhaltung der Sicherheitshinweise und Anweisungen können elektrischen Schlag, Brand und/oder schwere Verletzungen verursachen.

WARNUNG! Dieses Gerät darf nicht von Personen (wie z.B. Kindern) mit eingeschränkten körperlichen oder geistigen Fähigkeiten oder von Personen ohne Erfahrung im Umgang mit einem solchen Gerät betrieben werden, außer wenn sie von einer für ihre persönliche Sicherheit verantwortlichen Person in der Benutzung unterwiesen worden sind und dabei beaufsichtigt werden. Kinder müssen beaufsichtigt werden, um sicherzustellen, dass sie das Gerät nicht als Spielzeug verwenden.

Bewahren Sie alle Sicherheitshinweise und Anweisungen für die Zukunft auf.

Der in den Sicherheitshinweisen verwendete Begriff „Elektrowerkzeug“ bezieht sich auf netzbetriebene Elektrowerkzeuge (mit Netzkabel) und auf akkubetriebene Elektrowerkzeuge (ohne Netzkabel).

1) Arbeitsplatzsicherheit

- Halten Sie Ihren Arbeitsbereich sauber und gut beleuchtet. Unordnung oder unbeleuchtete Arbeitsbereiche können zu Unfällen führen.
- Arbeiten Sie mit dem Elektrowerkzeug nicht in explosionsgefährdeter Umgebung, in der sich brennbare Flüssigkeiten, Gase oder Stäube befinden. Elektrowerkzeuge erzeugen Funken, die den Staub oder die Dämpfe entzünden können.
- Halten Sie Kinder und andere Personen während der Benutzung des Elektrowerkzeugs fern. Bei Ablenkung können Sie die Kontrolle über das Gerät verlieren.

2) Elektrische Sicherheit

- Der Anschlussstecker des Elektrowerkzeuges muss in die Steckdose passen. Der Stecker darf in keiner Weise verändert werden. Verwenden Sie keine Adapterstecker gemeinsam mit schutzgeerdeten Elektrowerkzeugen. Unveränderte Stecker und passende Steckdosen verringern das Risiko eines elektrischen Schlages.
- Vermeiden Sie Körperkontakt mit geerdeten Oberflächen wie von Rohren, Heizungen, Herden und Kühlschränken. Es besteht ein erhöhtes Risiko durch elektrischen Schlag, wenn Ihr Körper geerdet ist.
- Halten Sie Elektrowerkzeuge von Regen oder Nässe fern. Das Eindringen von Wasser in ein Elektrowerkzeug erhöht das Risiko eines elektrischen Schlages.
- Zweckentfremden Sie das Kabel nicht, um das Elektrowerkzeug zu tragen, aufzuhängen oder um den Stecker aus der Steckdose zu ziehen. Halten Sie das Kabel fern von Hitze, Öl, scharfen Kanten oder sich bewegenden Geräteteilen. Beschädigte oder verwickelte Kabel erhöhen das Risiko eines elektrischen Schlages.
- Wenn Sie mit einem Elektrowerkzeug im Freien arbeiten, verwenden Sie nur Verlängerungskabel, die auch für den Außenbereich geeignet sind. Die Anwendung eines für den Außenbereich geeigneten Verlängerungskabels verringert das Risiko eines elektrischen Schlages.

Wenn der Betrieb des Elektrowerkzeuges in feuchter Umgebung nicht vermeidbar ist, verwenden Sie einen Fehlerstromschutzschalter. Der Einsatz eines Fehlerstromschutzschalters vermindert das Risiko eines elektrischen Schlages.

3) Sicherheit von Personen

- Seien Sie aufmerksam, achten Sie darauf, was Sie tun, und gehen Sie mit Vernunft an die Arbeit mit einem Elektrowerkzeug. Benutzen Sie kein Elektrowerkzeug, wenn Sie müde sind oder unter dem Einfluss von Drogen, Alkohol oder Medikamenten stehen. Ein Moment der Unachtsamkeit beim Gebrauch des Elektrowerkzeuges kann zu ernsthaften Verletzungen führen.
- Tragen Sie persönliche Schutzausrüstung und immer eine Schutzbrille. Das Tragen persönlicher Schutzausrüstung, wie Staubmaske, rutschfeste Sicherheitsschuhe, Schutzhelm oder Gehörschutz, je nach Art und Einsatz des Elektrowerkzeuges, verringert das Risiko von Verletzungen.
- Vermeiden Sie eine unbeabsichtigte Inbetriebnahme. Vergewissern Sie sich, dass das Elektrowerkzeug ausgeschaltet ist, bevor Sie es an die Stromversorgung und/oder den Akku anschließen, es aufnehmen oder tragen. Wenn Sie beim Tragen des Elektrowerkzeuges den Finger am Schalter haben oder das Gerät eingeschaltet an die Stromversorgung anschließen, kann dies zu Unfällen führen.

- Entfernen Sie Einstellwerkzeuge oder Schraubenschlüssel, bevor Sie das Elektrowerkzeug einschalten. Ein Werkzeug oder Schlüssel, der sich in einem drehenden Geräteteil befindet, kann zu Verletzungen führen.
- Vermeiden Sie eine unnatürliche Körperhaltung. Sorgen Sie für einen sicheren Stand und halten Sie jederzeit das Gleichgewicht. Auf diese Weise lässt sich das Elektrowerkzeug in unvariierten Situationen besser kontrollieren.
- Tragen Sie geeignete Kleidung. Tragen Sie keine weite Kleidung oder Schmuck. Halten Sie Haare, Kleidung und Handschuhe fern von sich bewegenden Teilen. Lockere Kleidung, Schmuck oder lange Haare können von sich bewegenden Teilen erfasst werden.
- Wenn Staubabsaug- und -auffangeinrichtungen montiert werden können, vergewissern Sie sich, dass diese angeschlossen sind und richtig verwendet werden. Verwendung einer Staubabsaugung kann Gefährdungen durch Staub verringern.
- Verwendung und Behandlung des Elektrowerkzeugs**
 - Überlasten Sie das Gerät nicht. Verwenden Sie für Ihre Arbeit das dafür bestimmte Elektrowerkzeug. Mit dem passenden Elektrowerkzeug arbeiten Sie besser und sicherer im angegebenen Leistungsbereich.
 - Benutzen Sie kein Elektrowerkzeug, dessen Schalter defekt ist. Ein Elektrowerkzeug, das sich nicht mehr ein- oder ausschalten lässt, ist gefährlich und muss repariert werden.
 - Ziehen Sie den Stecker aus der Steckdose und/oder entfernen Sie den Akku, bevor Sie Geräteinstellungen vornehmen, Zubehörteile wechseln oder das Gerät weglegen. Diese Vorsichtsmaßnahme verhindert den unbeabsichtigten Start des Elektrowerkzeuges.
 - Bewahren Sie unbenutzte Elektrowerkzeuge außerhalb der Reichweite von Kindern auf. Lassen Sie Personen das Gerät nicht benutzen, die mit diesem nicht vertraut sind oder diese Anweisungen nicht gelesen haben. Elektrowerkzeuge sind gefährlich, wenn Sie von unerfahrenen Personen benutzt werden.
 - Pflegen Sie Elektrowerkzeuge mit Sorgfalt. Kontrollieren Sie, ob bewegliche Teile einwandfrei funktionieren und nicht klemmen, ob Teile gebrochen oder so beschädigt sind, dass die Funktion des Elektrowerkzeuges beeinträchtigt ist. Lassen Sie beschädigte Teile vor dem Einsatz des Gerätes reparieren. Viele Unfälle haben ihre Ursache in schlecht gewarteten Elektrowerkzeugen.
 - Halten Sie Schneidwerkzeuge scharf und sauber. Sorgfältig gepflegte Schneidwerkzeuge mit scharfen Schneidkanten verkleben sich weniger und sind leichter zu führen.
 - Verwenden Sie Elektrowerkzeug, Zubehör, Einsatzwerkzeug usw. entsprechend diesen Anweisungen. Berücksichtigen Sie dabei die Arbeitsbedingungen und die auszuführende Tätigkeit. Der Gebrauch von Elektrowerkzeugen für andere als die vorgesehenen Anwendungen kann zu gefährlichen Situationen führen.
- Service**
 - Lassen Sie Ihr Elektrowerkzeug nur von qualifiziertem Fachpersonal und nur mit Original-Ersatzteilen reparieren. Damit wird sichergestellt, dass die Sicherheit des Elektrowerkzeuges erhalten bleibt.

Zusätzliche Sicherheitshinweise für Schleifgeräte

 **WARNUNG!**

- Halten Sie das Elektrowerkzeug nur an den isolierten Handgriffen bzw. Griffflächen, denn das Schleifband/-blatt könnte mit dem Netzkabel in Kontakt kommen. Wird eine spannungsführende Leitung beschädigt, können dadurch freiliegende Metallteile des Elektrowerkzeuges unter Spannung gesetzt werden und dem Bediener einen Stromschlag versetzen.
- Setzen Sie Schraubzwingen o.ä. ein, um das Werkstück an einer stabilen Arbeitsfläche zu fixieren. Wird das Werkstück mit der Hand oder gegen den Körper gehalten, ist es nicht stabil genug und es kann zu einem Verlust der Kontrolle über das Gerät kommen.
- Dieses Gerät darf nur unter Verwendung einer Fehlerstromschutzvorrichtung (FI-Schalter) mit einem Bemessungsfehlerstrom von höchstens 30 mA an die Spannungsversorgung angeschlossen werden.
- Falls das Netzkabel ersetzt werden muss, darf dies nur durch den Hersteller oder einen seiner zugelassenen Vertreter erfolgen, um Sicherheitsrisiken auszuschließen.
- Tragen Sie stets geeignete Schutzausrüstung einschließlich Staubmaske (mindestens Schutzklasse FFP-2), Schutzbrille und Gehörschutz.
- Sorgen Sie dafür, dass alle in der Nähe des Arbeitsbereichs befindliche Personen ebenfalls geeignete persönliche Schutzausrüstung tragen.
- Seien Sie besonders vorsichtig beim Schleifen von Hölzern, die Giftstoffe erzeugen (z.B. Buche, Eiche, Mahagoni und Teak), da hierdurch bei einigen Personen starke Reaktionen hervorgerufen werden.
- Bearbeiten Sie niemals Asbest enthaltene Materialien. Falls Sie sich nicht sicher sind, ob ein Objekt Asbest enthält, ziehen Sie einen Fachmann hinzu.
- Schleifen Sie kein Magnesium oder Legierungen, die einen hohen Magnesiumanteil enthalten.
- Seien Sie beim Schleifen von Werkstoffen mit bemalten/behandelten Oberflächen vorsichtig. Beim Schleifen von behandelten Oberflächen kann giftiger oder anderweitig schädlicher Staub entstehen. Wenn Sie an einem Gebäude arbeiten, das vor 1960 gebaut wurde, ist die Wahrscheinlichkeit hoch, dass Sie bleihaltige Farbenstriche vorfinden.
- Der Staub, der beim Schleifen von bleihaltigen Farbenstrichen entsteht, ist besonders für Kinder, Schwangere und Menschen mit hohem Blutdruck gefährlich. Erlauben Sie diesen Personen nicht, sich in der Nähe des Arbeitsbereichs aufzuhalten, auch wenn diese geeignete persönliche Schutzausrüstung tragen.

- h) **Setzen Sie zur Bekämpfung von Staub und Abfallstoffen nach Möglichkeit immer ein Staubabsaugsystem ein.**
- i) **lassen Sie besondere Vorsicht walten, wenn Sie eine Maschine sowohl zum Schleifen von Holz als auch von Metall verwenden. Funken von der Metallbearbeitung können den Holzstaub leicht entzünden. Reinigen Sie das Gerät stets gründlich, um die Brandgefahr zu verringern.**
- j) **Entleeren Sie den Staubbeutel/-behälter (falls vorhanden) während des Gebrauchs regelmäßig, d.h. vor dem Einlegen von Pausen und nach Abschluss der Schleifanwendung. Staub stellt eine Explosionsgefahr dar. Schütten Sie Schleifstaub daher nicht ins offene Feuer. Wenn Öl- oder Wassertropfen mit Staubteilchen in Berührung gelangen, kann es zu Selbstentzündung kommen. Entsorgen Sie Abfallstoffe sorgfältig und vorschriftsmäßig entsprechend der örtlich geltenden Gesetze und Bestimmungen.**
- k) **Arbeitsflächen und Schleifblätter können während der Arbeit sehr heiß werden. Wenn Anzeichen von Verbrennung (Rauch oder Asche) auf der Arbeitsfläche zu erkennen sind, stellen Sie die Arbeit ein und lassen Sie das Werkstück abkühlen. Berühren Sie die Arbeitsfläche und das Schleifblatt nicht, bevor beide abkühlen konnten.**
- l) **Den laufenden Schleifaufsatz nicht berühren.**
- m) **Schalten Sie das Gerät stets aus, bevor Sie es ablegen.**
- n) **Gerät nicht zum Nassschleifen verwenden. In das Motorgehäuse eindringende Flüssigkeiten können schwere Stromschläge verursachen.**
- o) **Trennen Sie das Gerät stets vom Stromnetz, bevor Sie Schleifblatt- oder Zubehörwechsel vornehmen.**
- p) **Auch wenn dieses Gerät wie vorgeschrieben verwendet wird, ist es nicht möglich, sämtliche Restrisiken auszuschließen. Sollten Sie sich in irgendeiner Weise unsicher bezüglich der sachgemäßen und sicheren Benutzung dieses Werkzeugs sein, verwenden Sie es nicht.**

Geräteübersicht

1. Geschwindigkeitsregler
2. Ein-/Ausschalter
3. Werkbankbohrungen
4. Lüftungsschlitze
5. Kantenführungslöcher
6. Netzkabel
7. Absaugstutzen (abnehmbar)
8. Schleifplatte
9. Schleifhülse
10. Sicherungsschraube
11. Walzenscheibe
12. Gummiflächen
13. Werkbankzwingen
14. Werkbankunterlage
15. Schleifwalze
16. Kantenführung
17. Kantenführungsschrauben (2)
18. Zusätzliche Schleifwalzen / Schleifhülsen

Bestimmungsgemäße Verwendung

Kompakte, tragbare, oszillierende Spindelschleifmaschine für leichte, wahlweise handgeführte oder stationäre Anwendungen beim Kantenschleifen, an gebogenen Innenflächen und beim Schabloneenschleifen.

Auspacken des Gerätes

- Packen Sie Ihr Gerät vorsichtig aus und überprüfen Sie es. Machen Sie sich vollständig mit allen seinen Eigenschaften und Funktionen vertraut.
- Vergewissern Sie sich, dass sämtliche Teile des Gerätes vorhanden und in einwandfreiem Zustand sind. Sollten Teile fehlen oder beschädigt sein, lassen Sie diese ersetzen, bevor Sie das Gerät verwenden.

Vor Inbetriebnahme

⚠️ WARNUNG! Trennen Sie das Gerät stets vom Stromnetz, bevor Sie Zubehörwechsel oder Einstellungsänderungen vornehmen.

Schleifhülse auswählen

- Im Fachhandel sind Schleifhülsen in unterschiedlichen Körnungen erhältlich. Die gebräuchlichsten Körnungen sind grob (60er-Körnung), mittel (120er-Körnung) und fein (240er-Körnung).
- Die grobe Körnung dient zum groben Abschleifen, die mittlere zum Glätten der Oberfläche und die feine für die Endbearbeitung.
- Verwenden Sie stets qualitativ hochwertige Schleifhülsen, um bestmögliche Schleifergebnisse zu erzielen.
- Nehmen Sie stets einen Probelauf auf einem Reststück vor, um die für die jeweilige Aufgabe am besten geeignete Körnung zu bestimmen.

Falls das Werkstück nach dem Schleifen noch Spuren aufweist, bearbeiten Sie es erneut mit einer gröberen Schleifhülse, um die Spuren zu beseitigen, bevor Sie mit der ursprünglich gewählten Schleifhülse fortfahren. Stattdessen können Sie zum Entfernen der unerwünschten Spuren auch eine neue Schleifhülse verwenden und dann zur Endbearbeitung auf eine feinere Körnung übergehen.

Schleifhülse anbringen

⚠️ WARNUNG! Vergewissern Sie sich stets, dass das Gerät ausgeschaltet und vom Stromnetz getrennt ist, bevor Sie Schleifhülsen entfernen oder anbringen.

Hinweis: Verwenden Sie keine abgenutzten, beschädigten oder verstopften Schleifhülsen. Vergewissern Sie sich vor Beginn des Schleifvorganges, dass sämtliche Fremdkörper wie Nägel und Schrauben aus dem Werkstück entfernt worden sind.

WARNUNG! Verwenden Sie Schleifhülsen, die zuvor zum Schleifen von Metallwerkstücken verwendet worden sind, niemals zum Bearbeiten von Holzflächen. Metallspäne könnten die Holzoberfläche verkratzen.

1. Entfernen Sie die Sechskantschraube (10) und die Walzenscheibe (11) (siehe Abb. D).
2. Nehmen Sie die Schleifwalze (15) ab.
3. Setzen Sie eine Schleifhülse (9) auf die Schleifwalze (siehe Abb. A).
4. Setzen Sie die Schleifwalze wieder auf die Spindel (siehe Abb. B).
5. Bringen Sie die Walzenscheibe (siehe Abb. C) wieder an und ziehen Sie abschließend die Sicherungsschraube fest (siehe Abb. D).

Hinweis: Siehe Abb. I für Montagegediagramm

Staubabsaugung

⚠️ WARNUNG! Schließen Sie den Schleifer bei der Bearbeitung von schädlichen oder potentiell giftigen Substanzen wie z.B. Farbpartikeln, Oberflächenbeschichtungen usw. immer an eine geeignete Werkstatt-Entstaubungsanlage an. Entsorgen Sie den ggf. gefährlichen Schleifstaub stets vorschriftsmäßig.

⚠️ WARNUNG! Treffen Sie beim Schleifen von bleihaltigen Farbstrichen, Holz und Metallen aufgrund möglicherweise giftigen Staubs besondere Schutzmaßnahmen. Lassen Sie besondere Vorsicht walten, wenn Sie über die genaue Zusammensetzung von Oberflächenbeschichtungen im Unklaren sind. Alle sich im Arbeitsbereich aufhaltenden Personen müssen einem zum Schutz gegen den freigesetzten Giftstaub geeigneten Atemschutz tragen. Kinder und Schwangere dürfen den Arbeitsbereich nicht betreten. Bei der Arbeit nicht essen, trinken oder rauchen.

- Dieser Schleifer ist auf den Anschluss an einen Haushaltsstaubsauger oder an eine Werkstatt-Entstaubungsanlage ausgelegt. Dies gewährleistet eine wirksame Staubabsaugung.
- Schließen Sie einen geeigneten Schlauch an den im Lieferumfang enthaltenen Absaugstutzen (7) an.
- Drehen Sie den Absaugstutzen zum Abnehmen entgegen dem Uhrzeigersinn, so dass die Stifte in den Aussparungen am Absauganschluss verlaufen und nehmen Sie den Absaugstutzen anschließend ab.
- Richten Sie die Stifte zum Wiederanbringen auf den Absaugstutzen aus und fixieren Sie ihn dann durch Drehen im Uhrzeigersinn. (Abb. E)
- Es ist möglich, den tragbaren Spindelschleifer auch ohne Absaugstutzen und damit kompatibelem Absaugsystem zu verwenden; der Einsatz eines mit dem Gerät kompatiblen Absaugsystems wird jedoch dringend empfohlen.

WARNUNG! Schließen Sie den Schleifer zum Schleifen von Metall immer an eine Werkstatt-Entstaubungsanlage an. Reinigen Sie das Gerät stets äußerst gründlich, bevor Sie vom Holzschleifen zum Metallschleifen und umgekehrt wechseln.

Hinweis: Ein Staubfangbeutel ist nicht im Lieferumfang dieses Gerätes enthalten, da zur wirksamen Staubabsaugung ein Absaugsystem benötigt wird. Vom Anschluss von Staubfangbeuteln eines Fremdanbieters an den Absaugstutzen wird abgeraten, da dies keine effektive Absaugmethode während des Betriebs darstellt.

Betrieb

⚠️ WARNUNG! Tragen Sie bei der Arbeit mit diesem Gerät stets eine Schutzbrille, ausreichenden Atem- und Gehörschutz sowie entsprechend geeignete Schutzhandschuhe.

WARNUNG! Die laufende Schleifhülse (9) niemals berühren!

Hinweis: Verwenden Sie nach Möglichkeit stets Schraubzwingen o.ä., um das Werkstück fest und sicher an der Werkbank zu fixieren.

WARNUNG! Warten Sie niemals, bis die Schleifhülse völlig abgenutzt ist, bevor Sie sie ersetzen. Bei Nichtbeachtung dieser vorbeugenden Maßnahmen kann es zu Beschädigung der Schleifwalze (15) kommen, wodurch die Schleifhülsen nicht richtig haften.

Ein- und Ausschalten

WARNUNG! Schalten Sie das Gerät niemals ein, wenn die Schleifhülse (9) in Kontakt mit dem Werkstück oder einer anderen Oberfläche ist, da dies zum Verlust der Gerätekontrolle und infolgedessen zu schweren Verletzungen führen kann.

1. Schließen Sie das Netzkabel an die Stromversorgung an.
2. Stellen Sie den Ein-/Ausschalter (2) zum Einschalten des Gerätes auf I.
3. Stellen Sie den Ein-/Ausschalter zum Abschalten des Gerätes auf O.

WARNUNG! Warten Sie stets, bis das Gerät nicht mehr vibriert, bevor Sie es ablegen. Trennen Sie es nach Gebrauch stets von der Stromversorgung.

Geschwindigkeit einstellen

⚠️ WARNUNG! Montieren Sie niemals Zubehörteile an der Schleifwalze (15), die nicht mit der maximalen Leerlaufdrehzahl dieses Gerätes kompatibel sind (siehe „Technische Daten“).

- Dieser Triton-Schleifer verfügt über eine stufenlose Geschwindigkeitsregelung, so dass sich eine Vielzahl an Zubehör mit ihm einsetzen lässt und unterschiedlichste Werkstoffe und Werkstücke bearbeitet werden können.

Hinweis: Der Geschwindigkeitsregler (1) kann sowohl bei ein- als auch bei ausgeschaltetem Schleifer verstellt werden. Wenn der Geschwindigkeitsregler auf 1 steht, liegt die Leerlaufdrehzahl bei 1800 min⁻¹; wenn der Geschwindigkeitsregler auf 6 steht, beträgt die maximale Leerlaufdrehzahl des Gerätes 3200 min⁻¹.

- Stellen Sie den Geschwindigkeitsregler zur Änderung der Geschwindigkeit auf die gewünschte Einstellung.
- Es stehen sechs Geschwindigkeitsstufen zur Verfügung; dabei steht die Ziffer 1 für die niedrigste und die Ziffer 6 für die höchste Geschwindigkeit.
- Falls Sie sich hinsichtlich der für die auszuführende Aufgabe benötigten Geschwindigkeit unsicher sind, beginnen Sie mit einer niedrigen Geschwindigkeit, begutachten Sie das Schleifergebnis und erhöhen Sie dann bei Bedarf die Geschwindigkeit.

Kantenschleifen

- Mit dem tragbaren Spindelschleifer lassen sich die Kanten diverser flacher Werkstücke effektiv abschleifen (siehe Abb. F).
- Achten Sie stets darauf, dass das Werkstück, bei Bedarf unter Verwendung von Schraubzwingen, gut fixiert ist.
- Falls erforderlich kann eine Kantenführung (16) auf den Spindelschleifer aufgesetzt werden (Abb. J). Befestigen Sie die Kantenführung in der gewünschten Position am Spindelschleifer mit Hilfe der Kantenführungsschrauben (17) (Abb. I).

1. Setzen Sie den Schleifer mit der Schleifplatte (8) vollständig auf das Werkstück, so dass die Schleifhülse (9) nach unten weist. Achten Sie darauf, dass nach oben und unten reichlich Platz für die Hublänge der oszillierenden Spindel besteht.
2. Schalten Sie zunächst die Absauganlage (falls verwendet) und erst danach den Spindelschleifer ein.
3. Nehmen Sie besser mehrere kurze statt längerer, langsamerer Schleifdurchläufe über die Werkstückkante vor.
4. Lassen Sie den Schleifer die Arbeit verrichten und üben Sie keinen übermäßigen Druck auf das Gerät aus. Andernfalls kann es zu Schäden an Werkstück und Gerät oder Verletzungen des Bedieners kommen.

Hinweis: Achten Sie bei Nutzung des Gerätes mit Kantenführung darauf, dass Sie stets von der Kante oder Ecke des Werkstücks mit dem Schleifen beginnen. Führen Sie zuerst die vorderen Vorschubführung gegen das Werkstück und schieben Sie dann das Werkzeug allmählich über die Oberfläche.

Stationäres Schleifen mit invertiertem Gerät

⚠️ WARNUNG! Vergewissern Sie sich stets, dass das Gerät ausgeschaltet und vom Stromnetz getrennt ist, bevor Sie den Spindelschleifer auf der Werkbank montieren.

- Der tragbare Spindelschleifer lässt sich bei stabiler, umgedrehter Fixierung an der Werkbank (siehe Abb. F) zum wirksamen Abschleifen diverser Werkstückkanten einsetzen (Abb. G).

1. Legen Sie die Werkbankunterlage (14) an die Kante einer stabilen Werkbank.
2. Setzen Sie den Spindelschleifer umgedreht auf die Unterlage und fixieren Sie ihn mit den Werkbankzwingen (13). Achten Sie dabei darauf, dass der Spindelschleifer sicher an der Werkbank befestigt ist, indem Sie die Flügelschrauben der Werkbankzwingen fest anziehen.
3. Verbinden Sie bei benötigter Staubabsaugung den Schlauch der Absauganlage mit dem Abgastutzen.

Hinweis: Bei invertierter Stationärverwendung des Spindelschleifers sollte stets eine mit dem Gerät kompatible Absauganlage verwendet werden.

4. Stellen Sie die gewünschte Geschwindigkeit über den Geschwindigkeitsregler (1) ein.
5. Schalten Sie zunächst die Absauganlage (falls verwendet) und erst danach den Schleifer ein.
6. Verwenden Sie die Schleifplatte (8) als Tischplatte zum Abstützen Ihres Werkstücks.
7. Lassen Sie den Schleifer die Arbeit verrichten und üben Sie mittels Werkstück keinen übermäßigen Druck auf die Schleifhülse (9) aus. Andernfalls kann es zu Schäden an Werkstück und Gerät oder Verletzungen des Bedieners kommen.

Hinweise zum Arbeiten mit dem Spindelschleifer

- Falls das Gerät an eine Staubabsauganlage angeschlossen ist, schalten Sie diese ein, bevor Sie den Schleifer einschalten.
- Spannen Sie das Werkstück nach Möglichkeit stets an der Werkbank ein. Sorgen Sie dafür, dass es sich während des Schleifens nicht verschieben kann.

WARNUNG! Übermäßiger Druck erzielt nicht schnelleren Materialabtrag, sondern führt zu vorzeitigem Verschleiß der Schleifhülse (9) und kann außerdem Schäden am Schleifer verursachen. Sowohl die Schleifleistung als auch die erzielte Oberflächengüte werden in erster Linie durch die korrekte Schleifhülswahl bestimmt (siehe „Schleifhülse auswählen“).

Metall schleifen

⚠️ WARNUNG! Beim Schleifen von Metall müssen zusätzliche Sicherheitsvorkehrungen getroffen werden.

- Schleifen Sie den Schleifer immer über einen geeigneten Fehlerstromschutzschalter ans Stromnetz an.
- Schleifen Sie den Schleifer immer in eine geeignete Werkstatt-Entstaubungsanlage an.
- Reinigen Sie das Gerät vor dem Schleifen von Metall äußerst gründlich.
- **⚠️ WARNUNG!** Holzstaubrückstände können durch heiße Metallpartikel und Funken entzündet werden. Reinigen Sie das Gerät daher stets sehr gründlich, bevor zwischen Holz- und Metallschleifen gewechselt wird.
- Eine zum Schleifen von Metall verwendete Schleifhülse sollte anschließend nicht auf Holz verwendet werden. Metallpartikel könnten Kratzer und andere Schäden an der Werkstückoberfläche verursachen.

Zubehör

- Eine Vielzahl an Zubehör, z.B. Schleifhülsen in unterschiedlichen Körnungen, können Sie über Ihren Triton-Fachhändler beziehen. Verwenden Sie zu Ihrer eigenen Sicherheit nur Original-Triton-Zubehör. Ersatzteile sind ebenfalls über Ihren Triton-Fachhändler sowie online unter www.toolsaresonline.com erhältlich.

Instandhaltung und Pflege

⚠️ WARNUNG! Trennen Sie das Gerät stets von der Stromversorgung, bevor Sie Wartungs- und/oder Reinigungsarbeiten durchführen.

- Für die Herstellung dieser Schleifmaschine wurden erstklassige Bauteile und zum Schutz des Gerätes und seiner Komponenten modernste intelligente Schaltungstechnik verwendet. Bei normalem Gebrauch sollten Sie viele Jahre an in diesem Gerät Freude haben.

Allgemeine Überprüfung

- Überprüfen Sie alle Befestigungsschrauben in regelmäßigen Abständen auf festen Sitz. Sie können sich durch Vibration mit der Zeit lösen.
- Überprüfen Sie das Netzkabel des Gerätes vor jedem Gebrauch auf Beschädigungen und Verschleiß. Reparaturen müssen durch eine zugelassene Triton-Vertragswerkstatt ausgeführt werden. Beides gilt auch für mit diesem Gerät verwendete Verlängerungskabel.

Schmierung

- Schmieren Sie alle beweglichen Teile in regelmäßigen Abständen mit einem geeigneten Sprühschmiermittel.

Reinigung

⚠️ WARNUNG! Tragen Sie bei der Reinigung dieses Gerätes stets Schutzausrüstung einschließlich Schutzbrille und Schutzhandschuhe.

- Halten Sie Ihr Gerät stets sauber. Durch Staub und Schmutz verschleifen die inneren Teile schnell und die Lebensdauer des Gerätes wird verkürzt.
- Säubern Sie das Gerätegehäuse mit einer weichen Bürste oder einem trockenen Tuch.
- Reinigen Sie Kunststoffteile niemals mit Ätzmitteln. Falls eine Trockenreinigung nicht ausreichend ist, sollte ein mildes Reinigungsmittel auf einem feuchten Lappen verwendet werden.
- Das Gerät darf niemals mit Wasser in Berührung kommen.
- Vergewissern Sie sich vor dem erneuten Gebrauch, dass das Gerät wieder vollkommen trocken ist.
- Die Entlüftungöffnungen gegebenenfalls mit sauberer, trockener Druckluft reinigen, sofern verfügbar.

Walzenoberflächen

- Die Oberfläche der Schleifwalze (15) muss sauber und frei von Schmutz und Fremdkörpern wie z.B. Haaren, Fasern, Sand usw. gehalten werden.
- Die Oberfläche der Schleifwalze muss in gutem Zustand sein, um Zubehörteilen ausreichend Halt bieten zu können.
- Schleifwalzen unterliegen besonders bei intensivem Gebrauch der Abnutzung, so dass sie mit der Zeit an Durchmesser und somit an Haltekraft verlieren können.

Hinweis: Die Schleifwalze(n) dieses Gerätes ist/sind nicht durch die Garantie abgedeckt. Ersatzschleifwalzen können über einen zugelassenen Triton-Kundendienst bezogen werden.

Abgastutzen reinigen

• Gelegentlich kann es notwendig werden, den Abgastutzen und Staubkanal zu reinigen oder von Verstopfungen zu befreien.

1. Nehmen Sie für die Reinigung von Abgastutzen und Staubkanal zunächst die Schleifwalze (15) ab (siehe „Schleifhülse anbringen“).
2. Lösen Sie mit einem Schraubendreher (nicht mitgeliefert) die Schrauben an der Schleifplatte (8) und nehmen Sie die Schrauben und die Schleifplatte ab. Achten Sie dabei darauf, dass die Unterlegscheiben an den Schraubenlöchern unter der Schleifplatte (siehe Abb. H) nicht verloren gehen.
3. Nehmen Sie die Metallplatte von der Schleifplatte ab, so dass der Staubkanal zugänglich gemacht wird (siehe Abb. I).
4. Säubern Sie den innenliegenden Kanal, den Abgastutzen und den Hohlraum beim Antriebsriemen mit einem Pinsel, gefolgt von Druckluft.

5. Setzen Sie nach der gründlichen Reinigung die Schleifplatte wieder auf und ziehen Sie die Schrauben wieder an.

6. Bringen Sie anschließend die Schleifwalze wieder an.

WARNUNG! Vergewissern Sie sich nach der Reinigung und vor einem erneuten Einsatz des Spindelschleifers, dass sich alle Unterlegscheiben, Schrauben und Stifte wieder an Ort und Stelle befinden und ordnungsgemäß angezogen sind. Falls übermäßige Schwingungen oder ungewöhnliche, nicht erwartungsgemäße Geräusche vom Gerät ausgehen, stellen Sie seinen Betrieb sofort ein und trennen Sie es vom Stromnetz. Führen Sie das Reinigungsverfahren erneut durch, um sicherzustellen, dass alle Teile wieder ordnungsgemäß eingesetzt wurden. Falls Vibrationen und Geräusche weiterhin auftreten, wenden Sie sich an einen entsprechend qualifizierten Triton-Kundendiensttechniker.

Lagerung

- Gerät samt Zubehör nach Gebrauch im Gerätekoffer an einem sicheren, trockenen Ort außerhalb der Reichweite von Kindern lagern.

Entsorgung

Beachten Sie bei der Entsorgung von defekten und nicht mehr reparablen Elektrowerkzeugen die geltenden Vorschriften und Gesetze.

- Elektrowerkzeuge und andere elektrische und elektronische Altgeräte nicht über den Hausmüll entsorgen.
- Lassen Sie sich von der zuständigen Behörde bezüglich der ordnungsgemäßen Entsorgung von Elektrowerkzeugen beraten.

Fehlerbehebung

Störung	Mögliche Ursache	Empfohlene Abhilfe
Gerät läuft bei Betätigung des Ein-/Ausschalters (2) nicht an	Keine Stromversorgung	Stromversorgung überprüfen
	Ein-/Ausschalter defekt	Ein-/Ausschalter durch eine zugelassene Triton-Vertragswerkstatt ersetzen lassen
Motorausfall, Leistungsabfall und Funken und/oder Brandgeruch	Kohlebürsten abgenutzt	Kohlebürsten durch eine zugelassene Triton-Vertragswerkstatt ersetzen lassen
Trotz laufenden Motors keine Schleifleistung bei Betätigung des Ein-/Ausschalters (2)	Getriebe greift nicht	An zugelassene Triton-Vertragswerkstatt wenden
Langsamer Materialabtrag	Schleifhülse (9) zu fein oder abgenutzt	Neue Schleifhülse mit gröberer Körnung anbringen
	Geschwindigkeit zu niedrig eingestellt	Geschwindigkeit erhöhen
Nach Schleifvorgang Kratzer auf Werkstück	Schleifhülse zu grob	Neue Schleifhülse mit feinerer Körnung anbringen
	Nicht ausreichend Material abgetragen	Schleifvorgang fortsetzen
Brandspuren auf Werkstück	Schleifhülse nicht für Material geeignet	Geeignete Schleifhülse anbringen
	Geschwindigkeit zu hoch eingestellt	Geschwindigkeit verringern
	Zuviel Druck auf Schleifer angewendet	Weniger Druck auf laufenden Schleifer anwenden
Übermäßige Staubbildung	Staubabsaugung nicht angeschlossen bzw. nicht eingeschaltet	Schlauchanschluss und ggf. Absaugstutzen (7) überprüfen und kontrollieren, dass Absauganlage eingeschaltet ist
	Staubabsaugung funktioniert nicht; Staubabsaugung verstopft	Staubabsaugung überprüfen und ggf. von Verstopfung befreien (siehe „Absaugstutzen reinigen“); falls das Problem fortbesteht, an zugelassene Triton-Vertragswerkstatt wenden

Garantie

Zur Anmeldung Ihrer Garantie besuchen Sie bitte unsere Website www.tritontools.com* und tragen dort Ihre persönlichen Daten ein.

Ihre Angaben werden (wenn nicht anders angewiesen) in unseren elektronischen Verteiler aufgenommen, damit Sie Information über zukünftige Produkteinführungen erhalten. Die von Ihnen bereitgestellten Angaben werden nicht an Dritte weitergegeben.

Kaufinformation

Kaufdatum: ___/___/___

Modell: **TSPSP650** Bewahren Sie bitte Ihren Beleg als Kaufnachweis auf.

EG-Konformitätserklärung

Name des Unterzeichners: Mr. Darrell Morris

Bevollmächtigt durch: Triton

Erklärt hiermit Folgendes: Die alleinige Verantwortung für die Ausstellung dieser Erklärung trägt der Hersteller. Der Gegenstand der Erklärung erfüllt die einschlägigen Harmonisierungsrechtsvorschriften der Gemeinschaft.

Produktkennung: 949538

Produktbezeichnung: Tragbarer Spindelschleifer, 650 W

Entspricht den folgenden Richtlinien und Normen:

- Maschinenrichtlinie 2006/42/EG
- EMV-Richtlinie 2014/30/EU
- RoHS-Richtlinie 2011/65/EU
- Lärmschutzrichtlinie 2000/14/EG
- EN 60745-1:2009+A11:2010
- EN ISO 12100:2010
- EN 55014-1:2006+A2:2011
- EN 55014-2:2015
- EN 61000-3-2:2014
- EN 61000-3-3:2013

Triton garantiert dem Käufer dieses Produkts, dass Triton, wenn sich Teile dieses Produkts innerhalb von 3 Jahren ab Originalkaufdatum infolge fehlerhafter Materialien oder Arbeitsausführung als defekt erweisen, das mangelhafte Teil nach eigenem Ermessen entweder kostenlos reparieren oder ersetzen wird.

Diese Garantie gilt nicht für kommerzielle Verwendung und erstreckt sich nicht auf normalen Verschleiß oder Schäden infolge von Unfall, Missbrauch oder unsachgemäßer Verwendung.

*Bitte registrieren Sie sich innerhalb von 30 Tagen nach dem Kauf online.

Es gelten die allgemeinen Geschäftsbedingungen.

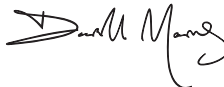
Ihre gesetzlich festgelegten Rechte werden dadurch nicht eingeschränkt.

Benannte Stelle: TÜV Rheinland Co., Ltd

Techn. Unterlagen bei: Triton

Datum: 17.05.2017

Unterzeichnet von:



Mr. Darrell Morris,

Geschäftsführender Direktor

Name und Anschrift des Herstellers:

Powerbox International Limited, Handelsregisternummer 06897059.

Eingetragene Anschrift: Powerbox, Boundary Way, Lufton Trading Estate, Yeovil, Somerset, BA22 8HZ, Großbritannien.

Traduzione delle istruzioni originali

Introduzione

Grazie per aver acquistato questo utensile Triton. Queste istruzioni contengono informazioni utili per il funzionamento sicuro ed affidabile del prodotto. Per essere sicuri di utilizzare al meglio il potenziale dell'utensile si raccomanda pertanto di leggere a fondo questo manuale. Conservare il manuale in modo che sia sempre a portata di mano e accertarsi che l'operatore dell'elettro utensile lo abbia letto e capito a pieno.

Simboli

La targhetta sul vostro utensile può mostrare simboli. Questi rappresentano informazioni importanti riguardanti il prodotto o istruzioni sul suo utilizzo.



Usare la protezione acustica
Indossare occhiali di protezione
Indossare una protezione per la respirazione
Indossare il casco



Indossare una protezione per la mano



Leggi il manuale di istruzioni



Si raccomanda/è necessario utilizzare un Sistema di estrazione polvere.



Esclusivamente per uso interno!



Scollegare sempre dalla rete elettrica durante la regolazione, durante il cambio degli accessori, la pulizia, le operazioni di manutenzione e quando non è in uso!



Classe costruzione II (doppio isolamento per la protezione supplementare)



Protezione Ambientale Rifiuti di batterie e prodotti elettrici, incluse le batterie a litio, non devono essere smaltiti con i rifiuti domestici. Si prega di riciclare dove esistono strutture. Verificare con le autorità locali o il rivenditore per consigli sul riciclaggio.



Conforme alle normative pertinenti e gli standard di sicurezza.



Attenzione!



Fumi o gas tossici!

Abbreviazioni tecniche

V	Volts
~, AC	Corrente alternata
A, mA	Ampere, milliampere
n_0	Velocità a vuoto
opm	Oscillazioni per minuto
\emptyset	Diametro
Hz	Hertz
W, kW	Watt, Kilowatt
/min o min ⁻¹	Operazioni per minuto
rpm o giri/min.	Rivoluzioni per minuto
dB(A)	Livello del suono in decibel (A)
m/s ²	Metri per secondo quadrato (magnitudine della vibrazione)

Specifiche tecniche

Numero modello	TSPPSP650
Tensione	EU 230-240 V
Potenza	650 W (5 A)
Velocità a vuoto	1800-3200 min ⁻¹
Oscillazioni mandrino	50-90 opm
Lunghezza corsa	6,5 mm
Lunghezza manicotto	76 mm
Diametri manicotto	\emptyset 13 mm, \emptyset 19 mm, \emptyset 26 mm, \emptyset 38 mm
Classe di protezione	
Protezione di ingresso	IP20
Lunghezza cavo di alimentazione	2 m
Dimensioni (L x l x H)	262 x 84 x 261 mm
Peso	2,2 kg
Informazioni sul rumore e sulle vibrazioni	
Pressione sonora L_{pA}	86,4 dB(A)
Potenza sonora L_{WA}	97,4 dB(A)
Incertezza K	3 dB
Vibrazione ponderata a_h	4,874 m/s ²
Incertezza K	1,5 m/s ²
Il livello di intensità del suono per l'operatore può superare i 85 dB (A) . È necessario intraprendere misure di protezione dal suono.	

Come parte del nostro continuo sviluppo del prodotto, le specifiche dei prodotti Triton possono variare senza preavviso.

ATTENZIONE: Indossare sempre protezioni per le orecchie, quando il livello sonoro supera i 85 dB (A) e limitare il tempo di esposizione, se necessario. Se i livelli sonori diventano sgradevoli, anche con la protezioni per le orecchie, smettere di usare l'utensile immediatamente e controllare che la protezione acustica sia montata correttamente e che fornisca il corretto livello di isolamento acustico per il livello del suono prodotto dal vostro utensile.

ATTENZIONE: L'esposizione dell'utente alle vibrazioni dell'utensile può causare la perdita del senso del tatto, intorpidimento, formicolio e riduzione della capacità di presa. Una lunga esposizione può portare ad una condizione cronica. Se necessario, limitare la durata di esposizione alle vibrazioni e utilizzare guanti anti-vibrazione. Non utilizzare l'utensile se la temperatura delle mani è al di sotto del normale, in quanto ciò farà sì che l'effetto delle vibrazioni sia maggiore. Utilizzare i dati forniti nella specifica relativa alle vibrazioni per calcolare la durata e la frequenza di funzionamento dell'utensile.

I livelli sonori e le vibrazioni nella specifica sono determinati secondo la EN60745 o simili standard internazionali. Le figure rappresentano un normale utilizzo per l'utensile in normali condizioni di lavoro. Un utensile tenuto in cattive condizioni, montato in modo errato o utilizzato in maniera impropria può essere causa di un aumento dei livelli sonori e delle vibrazioni. www.osha.europa.eu fornisce informazioni sui livelli sonori e delle vibrazioni nei luoghi di lavoro utili agli utenti domestici che utilizzano utensili per lunghi periodi di tempo.

Norme generali di sicurezza

AVVERTENZA: Leggere ed assimilare tutte le istruzioni. La non osservanza delle seguenti istruzioni può causare scosse elettriche, incendi e/o lesioni gravi.

⚠ ATTENZIONE: Questo apparecchio non è destinato all'uso da parte di persone (inclusi i bambini) con capacità fisiche o mentali ridotte o con mancanza di esperienza o di conoscenza, a meno che non siano controllati o istruiti all'uso dell'apparecchio da una persona responsabile della loro sicurezza. I bambini devono essere sorvegliati per assicurarsi che non giochino con l'apparecchio.

Conservare tutte le avvertenze di pericolo e le istruzioni operative per ogni esigenza futura.

Il termine "elettroutensile" si riferisce all'utensile a rete fissa (con filo) o un utensile a batteria (senza filo).

Sicurezza nell'area di lavoro

- Mantenere l'area di lavoro pulita e adeguatamente illuminata. Il disordine e le zone di lavoro non illuminate possono essere fonte di incidenti.
- Non usare gli elettroutensili in presenza di atmosfere esplosive, come liquidi, gas e polveri infiammabili. Gli elettroutensili producono scintille che potrebbero accendere le polveri o i fumi.
- Tenere altre persone e i bambini a distanza di sicurezza durante l'impiego dell'utensile elettrico. Eventuali distrazioni potrebbero far perdere il controllo dell'utensile all'operatore.

Sicurezza elettrica

- Le spine degli elettroutensili devono essere compatibili con le prese di corrente. Non modificare in alcun modo la spina dell'elettroutensile. Non usare adattatori con gli elettroutensili dotati di collegamento di messa a terra. L'uso delle spine originali non modificate e delle prese corrispondenti ridurrà il rischio di scosse elettriche.
- Evitare il contatto del corpo con le superfici collegate a massa come i tubi, i radiatori, le cucine e i frigoriferi. Se il corpo dell'operatore è collegato alla terra o alla massa il rischio di scosse elettriche è maggiore.
- Non esporre gli elettroutensili alla pioggia e non lasciarli in ambienti umidi o bagnati. L'ingresso dell'acqua in un utensile aumenta il rischio di scosse elettriche.
- Non usare il cavo in modo improprio. Non affermare mai il cavo per trasportare, tirare o staccare l'elettroutensile dalla presa di corrente. Tenere il cavo lontano da fonti di calore, olio e sostanze affini, bordi appuntiti o parti in movimento. I cavi danneggiati o attorcigliati aumentano il rischio di scosse elettriche.
- Qualora si voglia usare l'utensile all'aperto, usare cavi di prolunga compatibili con l'uso in ambienti esterni. Un cavo idoneo all'uso in ambienti esterni riduce il rischio di scosse elettriche.
- Se l'utilizzo di un elettroutensile in ambiente umido è inevitabile, utilizzare una fonte di alimentazione protetta da un dispositivo differenziale. L'uso di un dispositivo differenziale riduce notevolmente il rischio di scosse elettriche.
- Se utilizzato in Australia o in Nuova Zelanda, si raccomanda che questo strumento viene sempre fornito con dispositivo di corrente residua (RCD) con una corrente differenziale nominale di 30 mA o meno.

Sicurezza personale

- Quando si usa un elettroutensile lavorare sempre con la massima attenzione e concentrazione, lasciandosi guidare dal buon senso. Non usare mai un elettroutensile quando si è stanchi o sotto l'effetto di medicinali e/o sostanze alcoliche o stupefacenti. Quando si usa un elettroutensile un attimo di distrazione è sufficiente a causare gravi lesioni alle persone.
- Usare dispositivi per la protezione personale. Indossare sempre protezioni per gli occhi. I dispositivi per la sicurezza personale, come le mascherine antipolvere, le calzature di sicurezza antiscivolo, il casco e la cuffia, se usati in maniera appropriata, riducono i rischi di lesioni alle persone.
- Evitare l'avviamento accidentale. Garantire che l'interruttore è in posizione arresto (OFF) prima di attaccare la presa e/o batteria, prendere in mano o trasportare l'utensile. Trasportare gli elettroutensili con il dito al di sopra dell'interruttore o attaccando l'interruttore con l'interruttore acceso, aumenta il rischio di incidenti.
- Rimuovere tutte le chiavi di regolazione e le chiavi inglesi prima di accendere l'elettroutensile. Una chiave inglese o una chiave di regolazione collegata a una parte in movimento dell'elettroutensile potrebbe causare lesioni alle persone.
- Non andare oltre l'altezza consentita. In qualsiasi momento mantenere i piedi poggiati su superfici solide e un punto di appoggio sicuro. Un buon equilibrio consente di avere il massimo controllo sull'elettroutensile nelle situazioni inaspettate.
- Vestirsi con abbigliamento adeguato. Non indossare abiti larghi o gioielli. Tenere i capelli, vestiti e guanti lontano da parti in movimento. Vestiti lenti, gioielli o capelli lunghi possono impigliarsi nelle parti in movimento.
- Se il dispositivo utilizzato è dotato di una bocchetta per l'aspirazione della polvere accertarsi che sia collegata e utilizzata correttamente. L'uso di tali dispositivi riduce i rischi correlati alle polveri.

Utilizzo e cura di un elettroutensile

- Non forzare l'elettroutensile. Usare sempre l'elettroutensile corretto per il lavoro da eseguire. L'elettroutensile corretto sarà in grado di svolgere il lavoro in modo più efficiente e sicuro nell'ambito della gamma di potenza indicata.
- Non usare l'elettroutensile se l'interruttore di accensione non si accende e si spegne. Gli elettroutensili con un interruttore di accensione difettoso sono pericolosi e devono essere riparati immediatamente.
- Staccare la spina dalla presa di corrente prima di effettuare qualsiasi regolazione, sostituire gli accessori o riporre gli attrezzi a motore. Queste misure di sicurezza preventive riducono il rischio di avvio involontario.
- Conservare l'elettroutensile fuori dalla portata dei bambini e non lasciare che venga utilizzato da persone non adeguatamente addestrate e competenti nell'uso degli elettroutensili o che non abbiano letto questo manuale di istruzioni. Gli elettroutensili diventano estremamente pericolosi nelle mani di persone non addestrate.
- Effettuare la manutenzione degli elettroutensili. Controllare che non ci sia un disallineamento o un blocco delle parti in movimento, la rottura di alcune componenti e altre condizioni che possano influire sul funzionamento dell'apparecchio. In caso di danneggiamento, fare riparare prima di riutilizzarlo. Molti incidenti sono causati da una scarsa manutenzione dell'utensile.
- Mantenere le lame pulite e affilate. Gli utensili da taglio tenuti in buone condizioni operative e con i bordi taglianti affilati sono meno soggetti a bloccarsi e più facili da controllare.
- Utilizzare l'elettroutensile e tutti i componenti e gli accessori in conformità con le istruzioni di questo manuale e nella maniera prevista per ciascun tipo di utensile, tenendo conto delle condizioni lavorative e del compito da eseguire. L'utilizzo degli elettroutensili per fini diversi da quelli previsti rappresenta un rischio per le persone.

Assistenza

- Qualsiasi intervento sull'elettroutensile deve essere eseguito da personale qualificato utilizzando unicamente pezzi di ricambio compatibili e approvati. Ciò garantisce la sicurezza dell'elettroutensile.

Sicurezza durante l'utilizzo della levigatrice

⚠ ATTENZIONE!

- Tenere il dispositivo unicamente per le maniglie isolate o le superfici di impugnatura, dato che la cinghia di levigatura / il foglio di levigatura potrebbe entrare in contatto col cavo di alimentazione. Tagliare un cavo "sotto tensione" può esporre le componenti metalliche del dispositivo "sotto tensione", e potrebbe dunque trasmettere una scossa elettrica all'operatore.
 - Usare delle pinze o altri metodi pratici per rendere sicuro il pezzo da sottoporre a lavorazione su una superficie stabile. Tenendo il pezzo in mano o appoggiato contro il corpo lo si rende instabile, e ciò potrebbe portare a una perdita di controllo del dispositivo stesso.
 - Consigliamo di alimentare sempre il dispositivo tramite un dispositivo di corrente residua con una corrente residua nominale pari o inferiore a 30 mA.
 - Qualora sia necessario provvedere alla sostituzione del cavo di alimentazione, sarà opportuno rivolgersi al produttore o al suo agente al fine di evitare pericoli a livello di sicurezza.
- Indossare SEMPRE una strumentazione protettiva adeguata, compresa una maschera di protezione dalle polveri, con classificazione minima FFP2, protezione per gli occhi e protezione per le orecchie
 - Verificare che tutte le persone nelle immediate vicinanze dell'area di lavoro siano dotate della strumentazione di protezione personale adeguata
 - Prestare particolare attenzione quando vengono levigati certi tipi di legno (ad esempio faggio, quercia, mogano e tek), dato che la polvere prodotta è tossica e può causare reazioni estreme
 - Non usare mai per elaborare materiali contenenti amianto. Rivolgersi a un professionista qualificato, qualora non si sappia se un oggetto contiene amianto
 - NON levigare magnesio o leghe contenenti un'elevata percentuale di magnesio
 - Fare attenzione alle finiture di vernice o ai rivestimenti che avrebbero potuto essere applicati al materiale in fase di levigatura. Molti trattamenti possono causare polveri tossiche o comunque dannose. Qualora si stia lavorando su un edificio costruito prima del 1960 c'è un'alta possibilità di trovarsi a contatto con vernici a base di piombo
 - La polvere prodotta in fase di levigatura di vernici basate su piombo è particolarmente pericolosa per i bambini, per le donne incinta e per le persone con un'elevata pressione sanguigna. NON permettere che queste persone si avvicinino all'area di lavoro, anche se indossano una strumentazione protettiva personale
 - Ove possibile, servirsi di un sistema di estrazione delle polveri per controllare le polveri e gli sprechi
 - Fare in particolare modo attenzione quando viene usata una macchina sia per la levigatura del legno che dei metalli. Le scintille generate dal metallo possono facilmente incendiare la polvere prodotta dal legno. Pulire SEMPRE completamente la macchina per ridurre il rischio di incendio.

- j. **Svuotare il sacco o il contenitore della polvere (ove possibile) frequentemente in fase di utilizzo, prima di fare pause nonché dopo il completamento dell'operazione di levigatura.** La polvere potrebbe causare un rischio di esplosione. **NON lanciare la polvere in fiamme libere.** Si potrebbe verificare una combustione spontanea quando le particelle di olio o di polvere entrano in contatto con le particelle di polvere. **Smaltere i materiali con attenzione e in conformità con le leggi e le normative locali.**
- k. **Le superfici di lavoro e la carta per levigatura si possono surriscaldare molto in fase di utilizzo. In caso vi siano prove di bruciatura (fumo o cenere), dalla superficie di lavoro, smettere e lasciar raffreddare il materiale.** **NON toccare la superficie di lavoro o la carta da levigatura fino a che non si saranno raffreddate**
- l. **NON toccare la carta da levigatura**
- m. **SPENGERE sempre prima di appoggiare lo strumento a terra**
- n. **NON usare per operazioni di levigatura umida.** I liquidi che entrano nell'alloggiamento del motore possono causare gravi scosse elettriche
- o. **SCOLLEGARE sempre la levigatrice dalla presa di corrente prima di cambiare o sostituire la carta da levigatura**
- p. **Anche attenziosi alle istruzioni non sarà comunque possibile eliminare tutti i fattori di rischio residuo.** In caso di dubbi su come usare il dispositivo, non usarlo.

Familiarizzazione con il prodotto

1. Regolatore di velocità
2. Interruttore ON/OFF
3. Fori di fissaggio per montaggio su banco
4. Ventole motore
5. Fori del bordo guida
6. Cavo di alimentazione
7. Adattatore porta di estrazione (rimovibile)
8. Base di levigatura
9. Manicotto di levigatura
10. Bullone di blocco
11. Rondella del tamburo
12. Impugnatura in gomma
13. Morse per montaggio su banco
14. Tappetino per montaggio su banco
15. Tamburo per manicotti di levigatura
16. Bordo guida
17. Viti bordo guida (2)
18. Manicotti/tamburi di levigatura di ricambio

Uso previsto

La levigatrice a tamburo portatile compatta per progetti di levigatura di lieve entità su bordi, curve interne o modelli. Può essere manuale o montata su banco.

Disimballaggio dell'utensile

- Disimballare e ispezionare l'utensile. Familiarizzare completamente con tutte le sue caratteristiche e funzioni
- Verificare che tutte le componenti del dispositivo siano presenti e in buone condizioni. Qualora eventuali componenti siano mancanti o danneggiate, provvedere alla sostituzione delle stesse prima di iniziare a usare il dispositivo

Prima dell'uso

⚠ AVVERTENZA: Verificare che il dispositivo sia scollegato dalla presa di corrente prima di fissare o sostituire eventuali accessori o eseguire eventuali regolazioni.

Selezionare il manicotto di levigatura adatto

- I manicotti di levigatura sono disponibili in un'ampia gamma di modelli: grana grossa (60), media (120) e fine (240).
- Usare una grana grossa per finiture grezze, una media per perfezionare il lavoro e fine per completare il lavoro
- Usare sempre manicotti di levigatura di buona qualità per ottimizzare la qualità del lavoro
- Consigliamo di fare una prova su un pezzo di scarto per determinare i gradi ottimali di carta da levigatura per eseguire un determinato lavoro. Qualora alla fine del lavoro vi siano ancora segni, provare a tornare a una grana più grossa e levigare i punti più delicati prima di tornare alla grana prescelta; in alternativa provare a usare un nuovo foglio di carta da levigatura per eliminare i segni indesiderati prima di passare a una grana più fine e completare il lavoro.

Inserimento di un manicotto di levigatura

⚠ AVVERTENZA: Verificare SEMPRE che il dispositivo sia spento e scollegato dalla sorgente di alimentazione prima di installare o rimuovere manicotti di levigatura.

Nota: Non continuare a usare manicotti di levigatura usati, rotti o consumati. Verificare che gli oggetti estranei, quali ad esempio chiodi e viti siano rimossi dal pezzo da sottoporre a lavorazione prima di mettersi al lavoro.

AVVERTENZA: Non usare manicotti di levigatura su legno se prima sono stati usati su metallo. Questa operazione potrebbe causare imperfezioni sulla superficie in legno.

Utilizzare la chiave a brugola (5) per rimuovere il bullone esagonale (10) e la rondella del tamburo (11)(D)

1. Rimuovere il bullone di blocco (10) e la rondella del tamburo (11) (D)
2. Rimuovere il tamburo del manicotto di levigatura (15)
3. Far scivolare il manicotto di levigatura (9) sul tamburo (A)
4. Riposizionare il tamburo sulla levigatrice (B)
5. Riposizionare la rondella del tamburo (C) e stringere il bullone di blocco (D)

NB: Vedi il diagramma di montaggio nella Fig. F

Estrazione della polvere

⚠ AVVERTENZA: Collegare sempre la levigatrice a un aspirapolvere o a un sistema di aspirazione polveri da laboratorio se la polvere della levigatura contiene sostanze dannose, ad esempio particelle da vernice secca, rivestimenti, ecc. Smaltere sempre le polveri dannose conformemente alle leggi e alle normative.

⚠ AVVERTENZA: Prestare sempre particolare attenzione alle polveri dannose e tossiche quando si levigano superfici verniciate a base di piombo, legno e metalli, in particolare in caso di incertezza sulle sostanze coinvolte. Tutte le persone che accedono all'area devono indossare una maschera appositamente progettata per la protezione da polveri tossiche e fumi. I bambini e le donne incinta **NON DEVONO** accedere all'area di lavoro. **NON** mangiare, bere o fumare nell'area di lavoro.

- L'apparecchiatura è stata progettata per essere collegata a un aspirapolvere o a un sistema di estrazione delle polveri da officina. Questo è il metodo preferibile e più efficace per l'estrazione della polvere
- Collegare un tubo aspiratore adeguato all'adattatore della porta di estrazione della polvere (7)
- Rimuovi l'adattatore della porta di estrazione della polvere: ruotare in senso antiorario di modo che i pin siano allineati con la dentellatura della porta di estrazione della polvere e rimuovere
- Sostituire l'adattatore della porta di estrazione della polvere: inserire con i pin allineati con la porta di estrazione della polvere e ruotare l'adattatore in senso orario per bloccarlo in posizione (E)
- La levigatrice a tamburo può essere utilizzata senza adattatore per la pota di estrazione della polvere ed è compatibile con sistemi di estrazione della polvere per officina; si raccomanda, ad ogni modo, è sempre raccomandabile utilizzare un sistema di estrazione della polvere compatibile

ATTENZIONE: Durante la levigatura dei metalli, utilizzare un sistema di estrazione della polvere adatto. Pulire sempre l'utensile **COMPLETAMENTE** quando si passa dalla levigatura di legno alla levigatura di metallo, e viceversa.

NB: Questo utensile non viene fornito con un sacco per la polvere, in quanto necessita di un sistema di estrazione più efficiente. L'utilizzo di sacchi per la polvere di parti terze non è il metodo più efficace e raccomandato.

Funzionamento

⚠ AVVERTENZA: Indossare SEMPRE la protezione per gli occhi, protezioni per il sistema respiratorio e l'udito e anche quanti adatti quando si utilizza questo strumento.

AVVERTENZA: Non toccare il manicotto di levigatura in movimento (9)

Nota: Usare sempre morsetti per fissare il pezzo da sottoporre a lavorazione al banco, ove possibile.

AVVERTENZA: Non lasciare MAI che la carta da levigatura si consumi completamente prima di sostituirla. Il mancato rispetto di queste misure precauzionali può portare a danni al tamburo del manicotto di levigatura (15) e il manicotto di levigatura non si posizionerà correttamente.

Accensione e spegnimento

AVVERTENZA: Non accendere mai la levigatrice quando il manicotto di levigatura (9) è a contatto col pezzo da sottoporre a lavorazione o qualsiasi altra superficie, dato che ciò potrebbe far perdere all'operatore il controllo sulla macchina, portando quindi a gravi lesioni.

1. Collegare il cavo di alimentazione alla presa di corrente
 2. Premere l'interruttore On/Off (2) fino a portarlo in posizione "I", per accendere la levigatrice
 3. Per spegnere la levigatrice, premere l'interruttore On/Off (2) fino a portarlo in posizione "0"
- AVVERTENZA:** Attendere sempre che l'unità abbia smesso completamente di vibrare prima di riportarla. Scollegare sempre dall'alimentazione dopo l'uso

Regolazione della velocità dell'utensile

⚠ ATTENZIONE: Non montare sul tamburo (15) accessori non classificati al regime massimo a vuoto di questo dispositivo (vedi "Specifiche tecniche").

Questa levigatrice Triton offre un controllo variabile della velocità che le permette di essere utilizzata con una varietà di accessori, per lavorare su una moltitudine di diversi materiali, pezzi e oggetti

NB: Il regolatore di velocità (1) può essere utilizzato quando la levigatrice è su ON o OFF. Quando è su "1" la velocità a vuoto sarà di 1800 min⁻¹; quando invece sarà su "6" la velocità a vuoto massima sarà di 3200 min⁻¹.

- Per regolare la velocità, ruotare il regolatore di velocità fino a raggiungere la funzione desiderata
- Le impostazioni di velocità vanno da 1 a 6, "1" rappresenta la velocità più bassa e "6" la velocità più alta
- In caso di dubbio sull'impostazione corretta di velocità adatta per il compito a portata di mano, iniziare con una bassa velocità, esaminare i risultati e regolare ad un valore più alto, se necessario

Levigare bordi

- Questa levigatrice è molto efficace per la levigatura dei bordi di un'ampia varietà di pezzi da lavoro piani (F)
 - Accertarsi del fatto che il pezzo sia ben assicurato e usare delle morse se necessario
 - Il bordo guida (16) può essere connesso alla levigatrice, se necessario (J). Connettere il bordo guida alla levigatrice e fissarlo nella posizione desiderata con le viti del bordo guida (17) (Fig. II)
1. Posizionare la base di levigatura (8) il pezzo da lavoro e il manico di levigatura (9) a faccia in giù, assicurandosi del fatto che ci sia abbastanza spazio per la lunghezza di corsa del movimento oscillante del mandrino su e giù
 2. Accendere prima il sistema di estrazione della polvere (se connesso) e accendere quindi la levigatrice
 3. Effettuare passaggi multipli ma brevi sul bordo che si intende levigare
 4. Lasciare che la levigatrice faccia il suo lavoro senza applicarvi una forza eccessiva, farlo potrebbe portare a un danneggiamento del pezzo o a danni personali

NB: Utilizzando il bordo guida, iniziare a levigare dall'angolo o il bordo del pezzo. Iniziare con la parte frontale.

Levigazione invertita su banco

⚠ ATTENZIONE: Assicurarsi del fatto che l'utensile sia spento e che la spina sia stata tolta dalla presa prima di montare la levigatrice su banco.

- Questa levigatrice è molto efficace per la levigatura dei bordi di un'ampia varietà di pezzi da lavoro se montata e invertita in maniera sicura su un banco da lavoro (G)

1. Posizionare il tappetino da levigatura (14) accanto al bordo di un banco stabile
2. Posizionare la levigatrice nella posizione invertita sul tappetino e fissarla al banco utilizzando le morse per montaggio su banco (13), controllare che la levigatrice sia ben assicurata al banco stringendo i dadi ad alette sulle morse del banco di fissaggio
3. Connettere il tubo del sistema di estrazione della polvere all'adattatore della porta di estrazione della polvere (se necessario)

NB: si raccomanda di utilizzare un sistema di estrazione della polvere compatibile quando la levigatrice viene invertita e montata su banco.

4. Selezionare la velocità desiderata tramite il regolatore di velocità (1)
5. Accendi il sistema di estrazione della polvere (se connesso) e accendere la levigatrice
6. Utilizzare la base di levigatura (8) per stabilizzare il pezzo
7. Lasciare che la levigatrice faccia il suo lavoro senza applicarvi una forza eccessiva sul manico di levigatura (9), farlo potrebbe portare a un danneggiamento del pezzo o a danni personali

Consigli per la levigazione

- Se il dispositivo è collegato a un sistema di estrazione delle polveri, accendere il dispositivo di estrazione prima di accendere la levigatrice. Spegnerlo prima la levigatrice e poi il sistema di estrazione delle polveri
- Assicurare il pezzo da lavoro durante la levigazione, se possibile. Un pezzo non assicurato potrebbe muoversi durante la lavorazione

ATTENZIONE: Una pressione eccessiva non porta a una rimozione rapida del materiale, ma a un'usura prematura del manico di levigatura (9); ciò potrebbe causare danni alla macchina. Le prestazioni di levigatura e la qualità delle finiture sono dipendono essenzialmente dalla scelta del manico di levigatura (vedi "Selezionare il manico di levigatura adatto").

Levigatura del metallo

⚠ ATTENZIONE: Alcune ulteriori precauzioni devono essere adottate quando la levigatura dei metalli:

- Collegare sempre la levigatrice tramite un adeguato RCD
- Collegare sempre la levigatrice ad un sistema di estrazione della polvere da officina adatto
- Pulire l'utensile accuratamente prima di utilizzarlo per levigare il metallo

⚠ ATTENZIONE: Particelle di metallo caldo e scintille possono incendiare le polveri di legno residue. Pulire sempre l'utensile **COMPLETAMENTE** quando si passa dalla levigatura del legno alla levigatura dei metalli e viceversa.

- Un disco abrasivo precedentemente utilizzato per la levigatura di metallo non deve essere utilizzato su legno nuovo. Particelle metalliche residue possono portare a graffi, e danneggiare la superficie del pezzo

Accessori

- Una gamma di accessori, tra cui dischi abrasivi a fissaggio strappo perforati a grana diversa, sono disponibili presso il vostro rivenditore Triton. Per la propria sicurezza, utilizzare solo accessori Triton originali. Pezzi di ricambio possono essere acquistati presso il vostro rivenditore Triton oppure online su www.toolsaresonline.com

Manutenzione

⚠ AVVERTENZA: Scollegare SEMPRE dalla corrente prima di eseguire eventuali interventi di ispezione, manutenzione o pulizia.

- Questo utensile è stato realizzato con componenti di alta qualità e fa uso delle tecnologie intelligenti per proteggere l'utensile e i suoi componenti. Se non utilizzato impropriamente, dovrebbe avere una lunga durata di servizio

Ispezione generale

- Controllare a intervalli regolari che tutte le viti di fissaggio siano strette saldamente
- Ispezionare il cavo di alimentazione del dispositivo prima di ogni uso, al fine di verificare la presenza i danni o segni di usura. Le riparazioni dovrebbero essere eseguite da un centro assistenza autorizzato Triton. Questa indicazione vale anche per le prolunghie usate con questo dispositivo

Lubrificazione

- Lubrificare leggermente tutte le componenti mobili a intervalli regolari servendosi di un lubrificante spray adeguato.

Pulizia

⚠ ATTENZIONE: Indossare SEMPRE dispositivi di protezione, comprese protezioni per gli occhi e guanti in fase di pulizia del dispositivo.

- Mantenere pulito l'utensile in ogni momento. La sporcizia e la polvere causano una rapida usura delle componenti interne e riducono la durata di vita del dispositivo stesso.
- Pulire il corpo della macchina con una spazzola morbida o un panno asciutto.
- Non usare mai agenti caustici per pulire le componenti in plastica Qualora la pulizia a secco non risulti sufficiente, consigliamo di usare un detergente delicato su un panno umido
- L'acqua non deve mai entrare in contatto col dispositivo
- Verificare che l'utensile sia completamente asciutto prima di utilizzarlo
- Ove disponibile, usare aria pulita, secca e compressa tramite i fori di ventilazione (ove possibile)

Superfici del tamburo del manico di levigatura

- Le superfici del tamburo del manico di levigatura (15) devono essere pulite, prive di polvere e sostanze estranee, come i capelli, fibre, sabbia, ecc.
- Al fine di fornire un'adeguata aderenza per gli accessori di fissaggio, le superfici del tamburo devono essere in buone condizioni
- Quando utilizzato per lungo tempo il tamburo si consuma e il meccanismo non può più fornire la forza di adesione necessaria

NB: il tamburo del manico di levigatura non è coperto da garanzia. Per sostituirlo, contattare un centro assistenza autorizzato Triton.

Pulire la porta di estrazione della polvere

- Occasionalmente potrebbe essere necessario pulire e disintarsare la porta di estrazione della polvere e il canale della polvere

1. Pulire la porta e il canale, prima rimuovere il tamburo (15) (vedi "Inserimento di un manico di levigatura")
2. Utilizzando un cacciavite (non in dotazione), rimuovere le viti nella base di levigatura (8) e rimuovere la base di levigatura. Fare attenzione a non perdere le rondelle sotto la base di levigatura per ogni foro (H)
3. La base di levigatura, rimuovere la placca in metallo per scoprire il canale della polvere (I)
4. Pulisci il canale, la porta della polvere e la cavità con una spazzola e aria compressa
5. Dopo aver pulito attentamente, riposizionare la base e riavvitare le viti
6. Riposizionare il tamburo del manico di levigatura

ATTENZIONE: Dopo aver pulito la porta di estrazione, riposizionare tutte le rondelle, le viti e i bulloni e stringere prima di riutilizzare l'utensile. Se l'utensile vibra eccessivamente o emette strani suoni, smettere di utilizzarlo e rimuovere la spina dalla presa. Rieseguire la pulizia per assicurarsi che tutte le componenti siano state riposizionate correttamente. Se le vibrazioni e i rumori dovessero ripresentarsi, consultare un centro assistenza qualificato Triton.

Conservazione

Conservare questo utensile con cura in un luogo sicuro, asciutto e lontano dalla portata dei bambini.

Smaltimento

Rispettare sempre le normative nazionali per lo smaltimento di elettrodomestici non più funzionali e non riparabili

- Non gettare elettrodomestici, batterie o altre apparecchiature elettriche ed elettroniche (RAEE) con i rifiuti domestici
- Contattare l'ente locale per lo smaltimento dei rifiuti e per informazioni sul modo corretto di disporre di elettrodomestici o batterie

Risoluzione dei problemi

Problema	Possibile causa	Soluzione
Nessuna funzione quando viene azionato l'interruttore On/Off (2)	Assenza di alimentazione	Controllare l'alimentazione
	Interruttore On/Off difettoso	Fare sostituire l'interruttore On/Off da un centro di assistenza autorizzato Triton
Il motore soffre blocchi, perdita di prestazioni e produce scintille e/o odore di bruciato	Spazzole di carbone consumate	Sostituire le spazzole da un centro di assistenza autorizzato Triton
Nessuna azione di levigatura quando si utilizza l'interruttore On/Off (2), nonostante che il motore è in esecuzione Marcia non inserita	Marcia non inserita	Far controllare da un centro di assistenza autorizzato Triton
Rimozione lenta del materiale	Manicotto di levigatura (9) con grana troppo fina o usurato	Montare un nuovo manicotto di levigatura con grana più grossa
	Velocità utensile impostata troppo bassa	Aumentare la velocità dell'utensile
Graffi sul pezzo dopo la levigatura	Manicotto di levigatura con grana troppo grossa	Montare un nuovo manicotto di levigatura con grana più fine
	Non abbastanza materiale rimosso	Continuare la levigatura
Segni di bruciature sul pezzo in lavorazione	Manicotto di levigatura incompatibile con materiale	Montare il manicotto di levigatura corretto
	Velocità utensile impostata troppo alta	Diminuire la velocità dell'utensile
	Troppa pressione esercitata sulla levigatrice	Utilizzare meno pressione durante il movimento della macchina
Emissione di polvere eccessiva	Sistema di aspirazione non collegato o sistema di estrazione non acceso	Controllare il collegamento del tubo di aspirazione, l'adattatore della porta di estrazione della polvere (7) e verificare che il sistema di aspirazione sia acceso
	L'aspirazione della polvere non funziona; estrazione della polvere bloccata	Controllare il sistema di estrazione della polvere; sbloccare il sistema di estrazione della polvere (vedi "Pulizia della porta di estrazione della polvere"). Consultare un centro assistenza Triton se il problema dovesse persistere

Garanzia

Per la registrazione della garanzia visitare il sito web www.tritontools.com* e inserire i propri dettagli. A meno che il proprietario non abbia specificato diversamente, i suoi dettagli saranno inclusi nella lista di distribuzione che sarà utilizzata per inviare regolarmente informazioni sulle novità Triton. I dati personali raccolti saranno trattati con la massima riservatezza e non saranno rilasciati a terze parti.

Informazioni sull'acquisto

Data di acquisto: ___/___/___

Modello N.: **TSPSP650** Conservare lo scontrino come prova dell'acquisto

Triton Precision Power Tools garantisce all'acquirente di questo prodotto che, se qualsiasi parte dovesse presentare difetti di materiale o di fabbricazione entro 3

Dichiarazione di conformità CE

Il sottoscritto: Sig. Darrell Morris

come autorizzato da: Triton

Dichiara che il prodotto: Questa dichiarazione è stata emessa unicamente sotto la responsabilità del produttore. L'obiettivo della dichiarazione è in conformità con la pertinente Normativa di Armonizzazione dell'Unione.

Codice di identificazione: 949538

Descrizione: Levigatrice a mandrino oscillante portatile 650 W

Si conforma alle seguenti direttive:

- Direttiva macchine 2006/42/CE
- Direttiva compatibilità elettromagnetica 2014/30/UE
- Direttiva RoHS 2011/65/UE
- EN 60745-1:2009+A11:2010
- EN ISO 12100:2010
- EN 55014-1:2006+A2:2011
- EN 55014-2:2015
- EN 61000-3-2:2014
- EN 61000-3-3:2013

ANNI dalla data di acquisto originale, Triton riparerà o sostituirà, a sua discrezione, la parte difettosa gratuitamente. Questa garanzia non si applica ad uso commerciale né si estende alla normale usura o a danni a seguito di incidenti, abuso o uso improprio dell'utensile.

Registra il tuo prodotto on-line entro 30 giorni dall'acquisto.

Vengono applicati i termini e le condizioni generali.


Ciò non pregiudica i tuoi diritti legali

Organismo notificato: TÜV Rheinland Co., Ltd

La documentazione tecnica è conservata da: Triton

Data: 17/05/17

Firma:



Darrell Morris

Direttore generale

Nome e indirizzo del fabbricante:

Powerbox International Limited, N°. Società 06897059. Indirizzo registrato: Powerbox, Boundary Way, Lufton Trading Estate, Yeovil, Somerset, BA22 8HZ, Regno Unito.

Traducción del manual original

Introducción

Gracias por haber elegido esta herramienta Triton. Estas instrucciones contienen la información necesaria para un funcionamiento seguro y eficaz de este producto. Lea este manual atentamente para asegurarse de obtener todas las ventajas de las características únicas de su nuevo equipo. Conserve este manual a mano y asegúrese de que todos los usuarios de la herramienta lo hayan leído y entendido.

Descripción de los símbolos

Los símbolos siguientes pueden aparecer en la placa de características de su herramienta. Éstos representan información importante sobre el producto o instrucciones relativas a su uso.



Lleve protección auditiva
Lleve protección ocular
Lleve protección respiratoria
Lleve un casco de seguridad



Lleve guantes de seguridad



Lea el manual de instrucciones



Se recomienda/necesita utilizar un sistema de extracción de polvo



Para uso solo en interiores.



Desconecte siempre la herramienta de la toma eléctrica antes de realizar cualquier tarea de mantenimiento, sustituir accesorios o cuando no la esté utilizando.



Protección clase II (doble aislamiento para mayor protección)



Protección medioambiental Los productos eléctricos usados no se deben mezclar con la basura convencional. Están sujetos al principio de recogida selectiva. Solicite información a su ayuntamiento o distribuidor sobre las opciones de reciclaje.



Conforme a las normas de seguridad y la legislación correspondiente.



¡Peligro!



¡Peligro! Gases o humo tóxico

Abreviaturas de términos técnicos

V	Voltio/s
~, AC	Corriente alterna
A, mA	Amperio/s, miliamperio/s
n ₀	Velocidad sin carga
opm	Órbitas/oscilaciones por minuto
Ø	Diámetro
Hz	Hercio/s
W, kW	Vatio/s, kilovatio/s
/min or min ⁻¹	(Revoluciones/oscilaciones) por minuto
rpm	(Revoluciones/oscilaciones) por minuto
dB(A)	Nivel de decibelios (Ponderada A)
m/s ²	Metros cuadrados por segundo (vibración)

Características técnicas

Modelo:	TSPSP650
Tensión:	UE: 230-240 V
Potencia:	650 W
Velocidad sin carga:	1.800 - 3.200 min ⁻¹
Oscilaciones por minuto:	50 - 90 opm
Longitud de recorrido:	6,5 mm
Longitud del rodillo de lija:	76 mm (3")
Diámetro del rodillo de lija:	Ø13 mm, Ø19 mm, Ø26 mm, Ø38 mm (½", 1", 1 ½")
Clase de protección:	
Grado de protección:	IP20
Longitud del cable de alimentación:	2 m (6')
Dimensiones (L x An x A) :	262 x 84 x 261 mm
Peso:	2,2 kg (4,85 lbs)
Información sobre ruido y vibración:	
Presión acústica L_{pa}:	86,4 dB(A)
Potencia acústica L_{wa}:	97,4 dB(A)
Incertidumbre k:	3 dB
Vibración ponderada a_s:	4,874 m/s ²
Incertidumbre k:	1,5 m/s ²
El nivel de intensidad sonora para el usuario puede exceder de 85 dB(A). Se recomiendan usar medidas de protección auditiva.	

Como parte de nuestra política de desarrollo de productos, los datos técnicos de los productos Triton pueden cambiar sin previo aviso.

ADVERTENCIA: Utilice siempre protección auditiva cuando el nivel ruido exceda 85 dB(A) o cuando esté expuesto durante largos periodos de tiempo. Si por algún motivo nota algún tipo de molestia auditiva incluso llevando orejeras de protección, detenga inmediatamente la herramienta y compruebe que las orejeras de protección estén colocadas adecuadamente. Asegúrese de que el nivel de atenuación y protección de las orejeras sea adecuado dependiendo del tipo de herramienta y el trabajo a realizar.

ADVERTENCIA: La exposición a la vibración durante la utilización de una herramienta puede provocar pérdida del sentido del tacto, entumecimiento, hormigueo y disminución de la capacidad de sujeción. La exposición durante largos períodos de tiempo puede provocar enfermedad crónica. Si es necesario, limite el tiempo de exposición a la vibración y utilice guantes anti-vibración. No utilice la herramienta cuando sus manos estén muy frías, las vibraciones tendrán un mayor efecto. Utilice los datos técnicos de su herramienta para evaluar la exposición y medición de los niveles de ruido y vibración.

Los niveles de vibración y ruido están determinados por la directiva EN60745 y otras directivas internacionales similares. Los datos técnicos se refieren al uso normal de la herramienta en condiciones normales. Una herramienta defectuosa, mal montada o desgastada puede incrementar los niveles de ruido y vibración. Para más información sobre ruido y vibración, puede visitar la página web www.osha.europa.eu

Instrucciones de seguridad para herramientas eléctricas

ADVERTENCIA: Lea siempre el manual de instrucciones y las advertencias de seguridad.

No seguir estas advertencias e instrucciones puede causar descargas eléctricas, incendios y/o lesiones graves.

ADVERTENCIA: No permita que los niños, personas discapacitadas o personas no cualificadas utilicen esta herramienta. Mantenga esta herramienta fuera del alcance de los niños.

Conserve estas instrucciones de seguridad para futura referencia.

La expresión "herramienta eléctrica" se refiere a su herramienta alimentada por corriente eléctrica (herramienta alámbrica) o a una herramienta eléctrica alimentada por baterías (herramienta inalámbrica).

Seguridad en el área de trabajo

- Mantenga el área de trabajo limpia y bien iluminada. Las áreas de trabajo desordenadas y oscuras son peligrosas y pueden provocar un accidente.
- No utilice herramientas eléctricas en atmósferas explosivas que contengan líquidos, gases o polvos inflamables. Las herramientas eléctricas producen chispas que pueden incendiar el polvo o los vapores.
- Mantenga alejados a los niños y personas que se encuentren a su alrededor mientras esté trabajando con una herramienta eléctrica. Las distracciones pueden hacerle perder el control de la herramienta.

Seguridad eléctrica

- El enchufe de la herramienta eléctrica debe coincidir con la toma de corriente. No modifique nunca el enchufe de ninguna manera. No utilice ningún adaptador de enchufe sin toma de tierra. Los enchufes si modificar y el uso de tomas de corrientes adecuadas reducirán el riesgo de descargas eléctricas.
- Evite el contacto con materiales conductores tales como tuberías, radiadores, estufas y refrigeradores. El riesgo de descarga eléctrica se incrementa si su cuerpo está expuesto a materiales conductores.
- No exponga las herramientas eléctricas a la lluvia o la humedad. El contacto de agua en una herramienta eléctrica aumentará el riesgo de descargas eléctricas.
- No doble el cable de alimentación. No use nunca el cable de alimentación para transportar la herramienta eléctrica, tirar de ella o desenchufarla. Mantenga el cable de alimentación alejado de fuentes de calor, aceite, bordes afilados o de las piezas móviles. Los cables de alimentación dañados o enredados aumentan el riesgo de descargas eléctricas.
- Use un cable de extensión adecuado para exteriores cuando utilice una herramienta eléctrica en áreas exteriores. La utilización de un cable adecuado para exteriores reducirá el riesgo de descargas eléctricas.
- Si es inevitable trabajar con una herramienta eléctrica en lugares húmedos, use un suministro protegido por un interruptor diferencial o disyuntor por corriente diferencial o residual (RCD). El uso de un RCD reduce el riesgo de descargas eléctricas.

Seguridad personal

- Manténgase alerta, fíjese en lo que está haciendo y use el sentido común cuando esté utilizando una herramienta eléctrica. No use una herramienta eléctrica si se encuentra cansado o bajo la influencia de drogas, alcohol o medicamentos. Un momento de distracción mientras esté utilizando una herramienta eléctrica puede provocar lesiones corporales graves.
- Utilice siempre equipo de protección personal. Use siempre protección ocular. El uso de dispositivos de seguridad personal (máscara anti-polvo, calzado de seguridad antideshgase, casco resistente y protecciones auditivas adecuadas) reducirá el riesgo de lesiones corporales.
- Evite el arranque accidental. Asegúrese de que el interruptor está en la posición de apagado antes de enchufar la herramienta. No transporte herramientas con el dedo en el interruptor o con el interruptor encendido, podría ocurrir un accidente.
- Retire todas las llaves de ajuste antes de encender la herramienta eléctrica. Una llave enganchada en una parte móvil de la herramienta eléctrica puede causar lesiones graves.
- No adopte posturas forzadas. Manténgase en posición firme y en equilibrio en todo momento. De este modo, podrá controlar mejor la herramienta eléctrica en situaciones inesperadas.
- Vístase adecuadamente. No lleve ropa holgada ni joyas. Mantenga el pelo, la ropa y guantes alejados de las piezas móviles. La ropa holgada, las joyas o el pelo largo pueden quedar atrapados en las piezas móviles.
- Cuando utilice sistemas de extracción y recolección de polvo, asegúrese de que estén conectados y funcionen correctamente. El uso de estos dispositivos puede reducir los riesgos producidos por la inhalación de polvo.

Uso y mantenimiento de las herramientas eléctricas

- No fuerce la herramienta eléctrica. Utilice la herramienta eléctrica de forma adecuada. Utilice su herramienta únicamente para la tarea que haya sido destinada.
- No use la herramienta eléctrica si el interruptor no la enciende o la apaga. Toda herramienta eléctrica que no se pueda controlar mediante el interruptor es peligrosa y debe ser reparada inmediatamente.
- Desenchufe la herramienta o retire la batería antes de realizar cualquier ajuste, cambiar accesorios o almacenar la herramienta. Estas medidas de seguridad preventivas evitarán el arranque accidental de su herramienta eléctrica.
- Guarde siempre las herramientas eléctricas fuera del alcance de los niños. No permita que las personas que no estén familiarizadas con estas instrucciones utilicen la herramienta. Las herramientas eléctricas son peligrosas en manos de personas que no estén capacitadas para su uso.
- Revise regularmente sus herramientas eléctricas. Compruebe que no haya piezas en movimiento mal alineadas o trabadas, piezas rotas o cualquier otro problema que pueda afectar el funcionamiento de la herramienta eléctrica. Si hay alguna pieza dañada, repare la herramienta antes de volver a utilizarla. Muchos accidentes son causados por herramientas eléctricas que carecen de un mantenimiento adecuado.
- Las herramientas de corte deben estar siempre afiladas y limpias. Las herramientas de corte correctamente afiladas son menos propensas a trabarse y son más fáciles de controlar.
- Utilice la herramienta eléctrica y los accesorios siguiendo el manual de instrucciones y teniendo en cuenta las condiciones y el trabajo que necesite realizar. El uso de la herramienta eléctrica con un propósito distinto al cual ha sido diseñada, podría ser peligroso.

Mantenimiento y reparación

- Repare siempre su herramienta eléctrica en un servicio técnico autorizado. Utilice únicamente piezas de recambio idénticas y homologadas. Esto garantizará un funcionamiento óptimo y seguro de su herramienta eléctrica.

Instrucciones de seguridad para lijadoras

⚠ ¡ADVERTENCIA!

- Sujete siempre la herramienta por las empuñaduras aisladas, la banda o el disco de lija podría entrar en contacto con el cable de alimentación. Las partes metálicas de esta herramienta que entren en contacto con un cable bajo tensión pueden provocar descargas eléctricas al usuario.
 - Sujete siempre la pieza de trabajo con abrazaderas o un tornillo de banco sobre una superficie estable. Sujetar la pieza de trabajo con la mano puede provocar la pérdida de control de la herramienta.
 - Se recomienda conectar esta herramienta a un enchufe con dispositivo de protección de corriente diferencial residual (RCD) de 30 mA o inferior.
 - Para evitar el riesgo de lesiones, sustituya el cable de alimentación solo en un servicio técnico autorizado.
- Lleve siempre mascarilla antipolvo con grado de protección mínimo FFP2, gafas de seguridad y protecciones para los oídos.
 - Es responsabilidad del usuario asegurarse de que otras personas que se encuentren alrededor del área de trabajo vayan equipadas con equipo de protección adecuado.
 - Tenga un cuidado especial al lijar maderas (haya, roble, caoba y teca), puesto que el polvo que se produzca es tóxico y puede provocar reacciones extremas en algunas personas.
 - NUNCA utilice esta herramienta con materiales que contengan asbestos. En caso de duda, consulte con una persona cualificada.
 - No lije magnesio ni aleaciones que contengan un alto porcentaje de magnesio.
 - Tenga cuidado con los acabados de pinturas/tratamientos que puedan haber sido aplicados al material que está lijando. Muchos tratamientos pueden causar polvo tóxico o dañino. Si está trabajando en un edificio construido antes de 1960, existe la posibilidad de que las pinturas contengan una base de plomo.
 - El polvo que produzca al lijar pinturas con base de plomo es particularmente peligroso para los niños, para las mujeres embarazadas y para las personas con una alta presión sanguínea. No permita que estas personas se acerquen al área de trabajo, incluso si llevan prendas de protección adecuadas.
 - Siempre que resulte posible, use un sistema de extracción de polvo por aspiración para controlar el polvo/serrín/residuos.
 - Tenga mucha precaución cuando use esta herramienta para lijar madera y metal. Las chispas que genera el lijado de metal pueden provocar la ignición del serrín. Limpie siempre esta herramienta para evitar el riesgo de incendio.
 - Vacíe regularmente la bolsa o el recipiente para el polvo, especialmente entre pausas o al acabar la tarea. El polvo puede provocar una explosión. Nunca tire el polvo en un fuego. Las partículas de aceite y agua junto con el polvo pueden generar una explosión. Deshágase siempre del polvo y otros materiales de acuerdo con la normativa de reciclaje vigente.
 - Las superficies de trabajo y la misma lijadora pueden calentarse mucho durante su uso. Si evidencia la presencia de quemaduras (humo o ceniza), en la superficie de trabajo, pare y deje que se enfríe el material. No toque la superficie de trabajo ni la lijadora hasta que hayan terminado de enfriarse.
 - No toque el disco o la banda de lija en movimiento.
 - Desenchufe la herramienta antes de depositarla en una superficie.

n) **NO utilice esta herramienta para lijado en húmedo.** El contacto del agua con la carcasa del motor puede provocar descargas eléctricas al usuario.

o) **Desenchufe esta herramienta antes de colocar/cambiar cualquier accesorio.**

p) **Incluso cuando se esté utilizando según lo prescrito, no es posible eliminar todos los factores de riesgo residuales. Utilice esta herramienta con precaución. Si no está seguro de cómo utilizar esta herramienta de forma correcta, no la utilice.**

Características del producto

1. Selector de velocidad
2. Interruptor de encendido/apagado
3. Orificios de montaje
4. Ranuras de ventilación
5. Orificios para la guía de bordes
6. Cable de alimentación
7. Adaptador para extracción de polvo (desmontable)
8. Base
9. Rodillo de lija
10. Perilla de bloqueo
11. Arandela del tambor de lija
12. Empuñaduras engomadas
13. Abrazaderas para banco de trabajo
14. Almohadilla para montar en banco de trabajo
15. Tambor de lija
16. Guía para bordes
17. Perillas de bloqueo de la guía para bordes (2)
18. Tambores/rodillos de lija adicionales

Aplicaciones

Lijadora de husillo oscilante compacta diseñada para lijado de áreas interiores, contorneo en piezas de trabajo de forma manual o sobre un banco de trabajo.

Desembalaje

Desembale e inspeccione la herramienta con cuidado. Familiarícese con todas sus características y funciones.

Asegúrese de que el embalaje contiene todas las partes y que están en buenas condiciones. Si faltan piezas o están dañadas, solicite su sustitución antes de utilizar esta herramienta.

Antes de usar

⚠ ADVERTENCIA: Asegúrese siempre de que la herramienta esté desconectada de la toma eléctrica antes de cambiar accesorios o realizar cualquier ajuste.

Selección del rodillo de lija adecuado

- Existen diferentes tipos de rodillos de lija: grueso (grano 60), medio (grano 120) y fino (grano 240).
- Utilice rodillo de lija de grano grueso para acabados rugosos, grano medio para alisar y grano fino para acabados.
- Utilice siempre rodillos de lija de buena calidad para maximizar la calidad de la tarea de acabado.
- Se recomienda practicar antes en una pieza de material desechable para determinar el grano de papel de lija más adecuado. Si todavía quedan marcas en la pieza después del lijado, utilice un papel de grano más grueso y lije las marcas existentes antes de comenzar de nuevo con el papel de lija original, o utilice un rodillo de lija nuevo para eliminar las marcas indeseadas antes de pasar a un grano más fino y terminar el trabajo.

Instalación de un rodillo de lija

⚠ ADVERTENCIA: Desconecte siempre la herramienta de la toma de corriente antes de instalar o retirar un rodillo de lija.

Nota: Nunca utilice rodillos de lija desgastados o dañados. Antes de lijar, asegúrese de que no existan restos de clavos o tornillos en la pieza de trabajo.

ADVERTENCIA: No utilice rodillos de lija en superficies de madera si previamente han sido utilizadas para lijar superficies metálicas, podría dañar la pieza de trabajo.

1. Retire la perilla de bloqueo (10) y la arandela del tambor de lija (11) (D).
2. Retire el tambor de lija (15).
3. Introduzca el rodillo de lija (9) en el tambor de lija (A).
4. Coloque el tambor de lija en el husillo (B).
5. Coloque la arandela del tambor de lija (C) y apriete la perilla de bloqueo (D).

Nota: Véase el diagrama de montaje (Fig. I)

Extracción de polvo

ADVERTENCIA: Conecte siempre la lijadora a una aspiradora doméstica o a un sistema de extracción de polvo, especialmente si el polvo del lijado contiene sustancias nocivas, como partículas de pintura antigua, barniz, revestimiento, etc. Elimine siempre el polvo nocivo según las leyes y normativas.

ADVERTENCIA: Tenga especial precaución con el polvo tóxico generado al lijar pinturas basadas en plomo, maderas y metales. Todas las personas cercanas al área de trabajo deberán llevar mascarera de protección adecuada. Los niños y mujeres embarazadas **NO PODRÁN** estar en el área de trabajo. **NO** coma, fume o beba cuando utilice esta herramienta.

- Esta lijadora está diseñada para conectarse a un tubo de aspiradora doméstica o a un sistema de extracción de polvo. Este es el método más adecuado y efectivo para la extracción de polvo.
- Conecte un tubo de aspiradora en el adaptador para extracción de polvo (7).
- Retirar el adaptador para extracción de polvo: Gire el adaptador en sentido antihorario hasta que las patillas estén alineadas con las ranuras del de la salida de extracción de polvo.
- Colocar el adaptador para extracción de polvo: Alinee las patillas con las ranuras del de la salida de extracción de polvo y gire el adaptador en sentido horario (E).
- Esta lijadora también puede utilizarse sin la salida de extracción de polvo aunque se recomienda utilizar siempre un sistema de extracción de polvo compatible.

ADVERTENCIA: Utilice siempre un sistema de aspiración conectado a la lijadora cuando lije piezas de trabajo metálicas. Limpie siempre la lijadora si previamente la ha utilizado para lijar madera y viceversa.

Nota: Esta herramienta no dispone de bolsa para recoger polvo. Utilice siempre un sistema de extracción de polvo compatible. No se recomienda utilizar una bolsa para recoger polvo con esta herramienta.

Funcionamiento

⚠ ADVERTENCIA: Utilice siempre equipo de protección adecuado, incluido protección ocular, respiratoria y auditiva, cuando trabaje con esta herramienta.

ADVERTENCIA: Nunca toque el rodillo de lija en movimiento (9).

Nota: Siempre que sea posible, utilice siempre abrazaderas o un tornillo de banco para sujetar la pieza de trabajo.

ADVERTENCIA: NUNCA deje que el rodillo de lija se desgaste por completo antes de reemplazarlo. No seguir estas indicaciones podría dañar la superficie del tambor de lija (15), provocando que los rodillos de lija no se acoplen correctamente.

Encendido y apagado

ADVERTENCIA: Nunca encienda la lijadora cuando el rodillo de lija (9) esté en contacto con la superficie de la pieza de trabajo. Esto podría provocar la pérdida de control de la herramienta y causar daños al usuario.

1. Enchufe el cable de alimentación en la toma de corriente.
2. Coloque el interruptor de encendido/apagado (2) en la posición "I" para encender la lijadora.
3. Para apagar la lijadora coloque el interruptor en la posición "0".

ADVERTENCIA: Espere siempre hasta que la lijadora se detenga por completo antes de dejar la herramienta. Desenchufe la lijadora después de cada uso.

Ajuste de velocidad

⚠ ADVERTENCIA: Nunca coloque accesorios en el tambor de lija (15) que no sean compatibles con la velocidad máxima sin carga de esta herramienta (ver características técnicas).

- La velocidad variable de esta herramienta le permitirá utilizar multitud de accesorios sobre diferentes tipos de materiales y piezas de trabajo.

Nota: El selector de velocidad (1) puede ajustarse con la lijadora encendida o en funcionamiento. Utilice el ajuste de velocidad "1" para ajustar la lijadora a la velocidad más baja (1.800 min⁻¹). Utilice el ajuste de velocidad "6" para ajustar la lijadora a la velocidad más alta (3.200 min⁻¹).

- Gire el selector de velocidad para ajustar la lijadora a la velocidad requerida.
- Esta herramienta dispone de 1-6 ajustes de velocidad diferentes. El ajuste con la velocidad más alta es el número 6.
- Cuando no esté seguro de la velocidad más adecuada para la tarea a realizar, comience con la velocidad más baja, compruebe los resultados y ajuste de nuevo la velocidad hasta obtener el acabado deseado.

Lijado de bordes y cantos

- Esta herramienta es ideal para lijar bordes y cantos en piezas de trabajo (F).
 - Utilice abrazaderas cuando sea necesario y asegúrese de que la pieza de trabajo esté sujeta firmemente.
 - Utilice la guía para bordes (16) cuando sea necesario (J). Coloque la guía para bordes y fijela en la lijadora utilizando las perillas de bloqueo para la guía (17) (Fig. II).
1. Coloque la base de la lijadora (8) de forma plana sobre la pieza de trabajo con el rodillo d elija (9) mirando hacia abajo. Asegúrese de que exista espacio suficiente para que el husillo pueda moverse de arriba abajo correctamente.
 2. Encienda primero el sistema de extracción de polvo (si es requerido) y a continuación la lijadora.
 3. Realice varias pasadas cortas y rápidas a través del borde de la pieza de trabajo en vez de realizar pasadas largas y lentas.
 4. Nunca presione excesivamente la lijadora contra la pieza de trabajo, podría dañar la lijadora, la pieza de trabajo y provocar lesiones al usuario.

Nota: Cuando utilice la guía para bordes, comience a lijar desde el borde de la pieza de trabajo. Utilice la guía frontal para comenzar a lijar y continúe moviendo la lijadora hacia la superficie de la pieza de trabajo.

Montaje invertido sobre un banco de trabajo

⚠ ADVERTENCIA: Apague y desconecte siempre la herramienta de la toma de corriente antes de montarla sobre un banco de trabajo.

- Monte la lijadora en posición invertida sobre un banco de trabajo (G) para lijar cantos y bordes de forma cómoda y efectiva.
1. Coloque la almohadilla (14) cerca del borde del banco de trabajo.
 2. Coloque la lijadora en posición invertida sobre la almohadilla. Sujete la lijadora en el banco de trabajo apretando las tuercas de mariposa de las abrazaderas (13).
 3. Conecte el tubo de aspiración en el adaptador para extracción de polvo (si es necesario).

Nota: Se recomienda utilizar un sistema de extracción de polvo cuando utilice la lijadora en modo invertido sobre un banco de trabajo.

4. Ajuste la velocidad mediante el selector de velocidad (1).
5. Encienda primero el sistema de extracción de polvo (si es requerido) y a continuación la lijadora.
6. Utilice la base (8) de la lijadora como soporte para la pieza de trabajo.
7. Nunca presione excesivamente la pieza de trabajo contra el rodillo de lija (9), podría dañar la lijadora, la pieza de trabajo y provocar lesiones al usuario.

Consejos para lijado

- Si la herramienta está conectada a un sistema de extracción de polvo, encienda el dispositivo de extracción antes de encender la lijadora. Apague primero la lijadora y, a continuación, el sistema de extracción de polvo.
- Sujete siempre las piezas de trabajo firmemente sobre un banco de trabajo para que no puedan mover.

ADVERTENCIA: Presionar excesivamente no retirará el material más rápidamente, sino que provocará un desgaste rápido del rodillo de lija (9) y podría dañar la herramienta. El rendimiento y la calidad del lijado dependen principalmente del tipo de rodillo de lija utilizado (Véase "Seleccionar el rodillo de lija con el grano adecuado").

Lijado en metal

- **⚠ ADVERTENCIA:** Tenga especialmente precaución cuando lije piezas de metal.
- Enchufe siempre la lijadora a un dispositivo de protección de corriente diferencial residual (RCD).
- Conecte siempre la lijadora a un sistema de extracción de polvo.
- Limpie siempre la lijadora antes de lijar metal.
- **⚠ ADVERTENCIA:** Las partículas de metal caliente podrían prender los restos de virutas y aserrín acumulados en la herramienta. Limpie siempre la lijadora si previamente la ha utilizado para lijar madera y viceversa.
- Nunca utilice un rodillo de lija para lijar madera si previamente lo ha usado para lijar metal. Los restos de partículas metálicas podrían arañar y dañar la pieza de trabajo.

Accesorios

- Existen gran variedad de accesorios, incluido rodillos de lija de varios granos disponibles en su distribuidor Triton más cercano o a través de www.toolsaresonline.com

Mantenimiento

⚠ ADVERTENCIA: Desconecte siempre la herramienta de la toma de corriente antes de realizar cualquier tarea de mantenimiento o limpieza.

- Esta herramienta está fabricada con componentes de alta calidad y utiliza sistemas de protección para proteger y garantizar el funcionamiento de la herramienta en todo momento

Inspección general

- Compruebe regularmente que todos los tornillos y elementos de sujeción estén bien apretados. Con el paso del tiempo pueden vibrar y aflojarse.
- Inspeccione el cable de alimentación antes de utilizar esta herramienta y asegúrese de que no esté dañado. Las reparaciones deben realizarse por un servicio técnico Triton autorizado.

Lubricación

- Aplique regularmente spray lubricante en las piezas móviles.

Limpieza

⚠ ADVERTENCIA: Utilice SIEMPRE guantes y protección ocular cuando limpie esta herramienta.

- Mantenga la herramienta siempre limpia. La suciedad y el polvo pueden dañar y reducir la vida útil su herramienta.
- Utilice un cepillo suave o un paño seco para limpiar la herramienta.
- Nunca utilice agentes cáusticos para limpiar las piezas de plástico. Se recomienda utilizar un paño humedecido con un detergente suave.
- Nunca deje que el agua entre en contacto con la herramienta.
- Asegúrese de que la herramienta esté completamente seca antes de utilizarla.
- Si dispone de un compresor de aire comprimido, sople con aire seco y limpio para limpiar los orificios de ventilación.

Limpieza del tambor de lija

- La superficie del tambor de lija debe limpiarse periódicamente para eliminar restos de pelo, fibra y polvo.
- El tambor de lija debe estar siempre limpio para garantizar un funcionamiento óptimo.
- Con el paso del tiempo, el tambor de lija podría deteriorarse y disminuir la capacidad de sujeción.

Nota: Los tambores de lija de esta herramienta NO está cubierto por la garantía. Los tambores de lija deben ser reparados por un servicio técnico autorizado Triton.

Limpieza de la salida de extracción de polvo

- Limpie regularmente la salida de extracción de polvo.
1. Retire el tambor de lija (15) antes de limpiar la salida de extracción de polvo (véase "Montaje del rodillo de lija").
 2. Utilice un destornillador (no suministrado) para retirar los tornillos de la base (8). Tenga precaución para no perder las arandelas situadas en cada de los agujeros de la base (H).
 3. Retire la placa metálica situada en la base de la lijadora para acceder al soporte de la salida de extracción de polvo (I).
 4. Limpie el soporte interno, la salida de extracción de polvo y el compartimento para la correa con un cepillo o aire comprimido.
 5. Vuelva a colocar la base de la lijadora y apriete los tornillos.
 6. Vuelva a colocar el tambor de lija.

ADVERTENCIA: Asegúrese de que los tornillos y las arandelas estén colocados correctamente después de limpiar la lijadora y antes de encenderla. APAGUE la lijadora y desenchúfela de la toma de corriente si vibra excesivamente o escucha algún ruido anormal. Limpie todas las piezas y sustituya las piezas que estén dañadas si es necesario. Consulte con un servicio técnico Triton si el problema persiste.

Almacenaje

- Guarde esta herramienta y accesorios en un lugar seco y seguro fuera del alcance de los niños.

Reciclaje

Deshágase de las herramientas eléctricas adecuadamente respetando las normas de reciclaje indicadas en su país.

- No desheche las herramientas y aparatos eléctricos junto con la basura convencional. Recíclelos siempre en puntos de reciclaje.
- Póngase en contacto con la autoridad local encargada de la gestión de residuos para obtener más información sobre cómo reciclar este tipo de herramientas correctamente.

Solución de problemas

Problema	Causa	Solución
La herramienta no se enciende al pulsar el interruptor de encendido/apagado (2)	Falta de alimentación eléctrica	Compruebe el suministro eléctrico
	Interruptor de encendido/apagado averiad	Repare el interruptor de encendido/apagado en un servicio técnico Triton
El motor se para constantemente, pérdida de potencia, chispas y olor a quemado	Escobillas de carbón desgastadas	Sustituya las escobillas de carbón en un servicio técnico Triton
La lijadora no funciona al mover el interruptor de encendido/apagado (2) aunque el motor está funcionando	Engranajes averiados	Lleve la herramienta a un servicio técnico Triton
El material se retira lentamente	Rodillo de lija (9) dañado o desgastado	Coloque un papel nuevo o utilice un papel de grano más grueso
	Velocidad de la herramienta demasiado lenta	Incremente la velocidad
Arañazos en la pieza de trabajo después de lijar	Grano del rodillo de lija demasiado grueso	Coloque un rodillo de lija de grano más fino
	Necesita retirar más material	Continúe lijando
Marcas de quemaduras en la pieza de trabajo	Rodillo de lija incorrecto para el material que está lijando	Coloque un rodillo de lija adecuado
	Velocidad de la herramienta demasiado alto	Disminuya la velocidad
	Presión excesiva sobre la herramienta	Aplique menos presión sobre la herramienta
Polvo excesivo	Sistema de extracción de polvo desconectado o apagado	Conecte el tubo de aspiración en el adaptador para extracción de polvo (7) y asegúrese de que el sistema de extracción de polvo esté encendido
	La extracción de polvo no funciona	Compruebe el funcionamiento del sistema de extracción de polvo y límpielo correctamente (véase "Limpieza de la salida de extracción de polvo") Consulte con un servicio técnico Triton si el problema persiste.

Garantía

Para registrar su garantía, visite nuestra página Web en www.tritontools.com* e introduzca sus datos personales. Estos datos serán incluidos en nuestra lista de direcciones (salvo indicación contraria) de manera que pueda recibir información sobre nuestras novedades. Sus datos no serán cedidos a terceros.

Recordatorio de compra

Fecha de compra: ___/___/___

Modelo: **TSPSP650**

Número de serie: _____ (Situado en la carcasa de la herramienta)

Conserve su recibo como prueba de compra.

Las herramientas Triton disponen de un periodo de garantía de 3 años. Para obtener esta garantía, deberá registrar el producto online en un plazo de 30 días contados a partir de la fecha de compra. Si durante ese periodo apareciera algún defecto en el producto debido a la fabricación o materiales defectuosos, Triton se hará cargo de la reparación o sustitución del producto adquirido. Esta garantía no se aplica al uso comercial por desgaste de uso normal, daños accidentales o por mal uso de esta herramienta.

* Registre el producto online en un plazo de 30 días contados a partir de la fecha de compra.

Se aplican los términos y condiciones.

Esto no afecta a sus derechos legales como consumidor.

Declaración de conformidad CE

El abajo firmante: Mr Darrell Morris

Autorizado por: Triton

Declara que el producto: La presente declaración de conformidad se expide bajo la exclusiva responsabilidad del Fabricante. El objeto de la declaración descrita anteriormente es conforme a la legislación comunitaria de armonización pertinente.

Código de identificación: 949538

Descripción: Lijadora de husillo oscilante compacta, 650 W

Está en conformidad con las directivas:

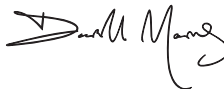
- Directiva de máquinas 2006/42/CE
- Compatibilidad electromagnética 2014/30/UE
- Directiva RoHS 2011/65/UE
- EN 60745-1:2009+A11:2010
- EN ISO 12100:2010
- EN 55014-1:2006+A2:2011
- EN 55014-2:2015
- EN 61000-3-2:2014
- EN 61000-3-3:2013

Organismo notificado: TÜV Rheinland Co., Ltd

La documentación técnica se conserva en: Triton

Fecha: 17/05/17

Firma:



Mr Darrell Morris

Director General

Nombre y dirección del fabricante:

Powerbox International Limited, N° de registro: 06897059. Dirección legal: Powerbox, Boundary Way, Lufton Trading Estate, Yeovil, Somerset, BA22 8HZ, Reino Unido.

Tradução das instruções originais

Introdução

Obrigado por comprar este produto Triton. Este manual contém as informações necessárias para a operação segura e eficiente deste produto. Este equipamento possui características peculiares e, mesmo que você esteja familiarizado com produtos similares, é necessário ler este manual cuidadosamente para garantir que compreenda totalmente as instruções. Assegure-se de que todos os usuários do produto leiam e compreendam este manual, completamente.

Símbolos

A placa de identificação de sua ferramenta poderá apresentar alguns símbolos. Estes indicam informações importantes sobre o produto, ou instruções sobre seu uso.



Use proteção auricular
Use proteção ocular
Use proteção respiratória
Use proteção de cabeça



Use proteção nas mãos



AVISO – Para reduzir o risco de ferimentos, o usuário deve ler o manual de instruções.



Coleta de pó necessária ou recomendada.



Apenas para uso interno!



Desconecte sempre da tomada elétrica, quando for fazer ajustes, trocar acessórios, limpar, efetuar manutenção ou quando não estiver em uso!



Construção de classe II (isolamento duplo para proteção adicional)



Proteção ambiental O descarte de produtos elétricos não deve ser feito no lixo doméstico. Faça a reciclagem em locais próprios para isso. Consulte as autoridades locais ou seu revendedor para saber como reciclar.



Cumpra a legislação e os padrões de segurança aplicáveis.



Cuidado!



Fumaça ou gases tóxicos!

Abreviações Técnicas

V	Volts
~, CA	Corrente alternada
A, mA	Ampere, miliampere
n_0	Velocidade sem carga
opm	Órbitas ou oscilações por minuto
\emptyset	Diâmetro
Hz	Hertz
W, kW	Watt, Quilowatt
/min ou min ⁻¹	Operações por minuto
rpm	Rotações por minuto
dB(A)	Nível sonoro, em decibéis (A ponderado)
m/s ²	Metros por segundo ao quadrado (magnitude de vibração)

Especificação

Número do modelo	TSPSP650
Voltagem	EU 230–240V
Potência	650 W
Velocidade sem carga	1800 a 3200 min ⁻¹
Oscilações do fuso	50 a 90 OPM
Comprimento do curso	6.5 mm
Comprimento da luva	76 mm (3")
Diâmetros de luva	\emptyset 13 mm, \emptyset 19 mm, \emptyset 26 mm, \emptyset 38 mm ($\frac{1}{2}$ ", 1", 1 $\frac{1}{2}$ ")
Classe de proteção	
Proteção contra entrada	IP20
Comprimento do cabo elétrico	2 m (6")
Dimensões (C x L x A)	262 x 84 x 261 mm
Peso	2,2kg (4.85lbs)
Informações sobre ruído e vibração	
Pressão sonora L _{pa}	86,4dB(A)
Potência sonora L _{wa}	97,4dB(A)
Incerteza K	3 dB
Vibração ponderada a _w	4,874 m/s ²
Incerteza K	1,5 m/s ²
O nível de intensidade sonora para o operador poderá ultrapassar 85 dB(A) e, por isso, são necessárias medidas de proteção.	

Como parte do desenvolvimento de nossos produtos, as especificações da Triton podem ser alteradas sem aviso

AVISO: Use sempre proteção auditiva apropriada, quando o ruído da ferramenta ultrapassar 85dBa, e limite o tempo de exposição ao mínimo necessário. Caso os níveis de ruído se tornem desconfortáveis, mesmo com proteção auditiva, pare imediatamente de usar a ferramenta e verifique se a proteção auditiva está ajustada de forma correta, de modo prover a atenuação sonora correta, para o nível de ruído produzido pela ferramenta.

AVISO: A exposição do usuário à vibração da ferramenta pode resultar em perda de sentido do tato, dormiência, formigamento e diminuição da capacidade de agarrar. A exposição por longo prazo pode levar a uma condição crônica. Caso necessário, limite o período de tempo que fica exposto à vibração e use luvas antivibração. Não use a ferramenta com as mãos expostas a uma temperatura abaixo da temperatura normal confortável, uma vez que a vibração tem mais impacto nessa condição. Use os valores fornecidos na especificação relativa a vibrações, para calcular a duração e frequência de uso da ferramenta.

Os níveis sonoros e de vibração da especificação são determinados de acordo com a norma EN60745, ou por padrão internacional similar. Os valores consideram o uso normal da ferramenta, sob condições de trabalho normais. Uma ferramenta montada, mantida ou usada incorretamente, poderá produzir níveis de ruído, e de vibração, superiores.

O site: www.osha.europa.eu fornece mais informações sobre níveis de vibração e ruído em locais de trabalho, e pode ser útil para usuários domésticos que usam ferramentas por longos períodos de tempo.

Segurança geral

AVISO Leia todos os avisos de segurança e todas as instruções. O descumprimento dos avisos e instruções pode resultar em choque elétrico, incêndio e/ou ferimentos graves.

AVISO: Este equipamento não foi concebido para ser usado por pessoas (inclusive crianças) com capacidade física ou mental reduzida, ou sem experiência ou conhecimento, exceto se estiverem sob supervisão e houverem recebido instruções relativas ao uso do equipamento pela pessoa responsável por sua segurança. As crianças devem ser supervisionadas para garantir que não brinquem com esta ferramenta elétrica.

Guarde todos os avisos e instruções para consulta futura.

O termo "ferramenta elétrica", nos avisos, se refere a uma ferramenta elétrica que usa alimentação da rede (com cabo elétrico) ou uma bateria (sem cabo elétrico).

1) Segurança na área de trabalho

- a) Mantenha a área de trabalho limpa e bem iluminada. Áreas desorganizadas ou escuras facilitam os acidentes.
- b) Não opere ferramentas elétricas em atmosferas explosivas, como na presença de líquidos, gases ou serragens inflamáveis. Ferramentas elétricas produzem faíscas que podem inflamar a serragem ou os gases.

- c) Mantenha as crianças e observadores à distância, quando operar ferramentas elétricas. Distrações podem fazer você perder o controle.

2) Segurança elétrica

- a) O plugue de tomada da ferramenta deve ser compatível com a tomada de parede. Nunca modifique um conector, de maneira alguma. Nunca use conectores adaptadores em ferramentas elétricas com fio terra (aterradas). Conectores sem modificações e tomadas corretas reduzem o risco de choques elétricos.
- b) Evite o contato de seu corpo com superfícies aterradas, como tubos, radiadores, extensões e refrigeradores. Existe um risco maior de choque elétrico se o seu corpo estiver aterrado.
- c) Não deixe as ferramentas elétricas expostas a chuva ou condições úmidas. A água que entra em uma ferramenta elétrica, aumenta o risco de choque elétrico.
- d) Não abuse do cabo elétrico. Nunca use o cabo para carregar, puxar ou desconectar a ferramenta elétrica. Mantenha o cabo longe de calor, óleo, bordas afiadas ou peças móveis. Cabos danificados ou emaranhados aumentam o risco de choque elétrico.
- e) Quando operar uma ferramenta elétrica ao ar livre, use um cabo de extensão adequado para uso externo. A utilização de um cabo adequado para uso externo reduz o risco de choque elétrico.
- f) Se o uso da ferramenta elétrica em local úmido for inevitável, use uma fonte de alimentação protegida com Dispositivo de Corrente Residual (DR). O uso de um DR reduz o risco de choque elétrico.

3) Segurança pessoal

- a) Mantenha-se alerta, preste atenção no que faz e use de bom senso quando operar uma ferramenta elétrica. Não use ferramentas elétricas quando estiver cansado ou sob influência de drogas, álcool ou medicamentos. Um momento de desatenção, quando se opera uma ferramenta elétrica, pode resultar em ferimentos pessoais graves.
 - b) Use equipamentos de proteção individual. Use sempre proteção ocular. Equipamentos de proteção como máscara respiratória, calçados de proteção antiderrapantes, capacete ou protetores auditivos, usados de acordo com as condições apropriadas, reduzem a ocorrência de ferimentos.
 - c) Evite partidas não intencionais. Certifique-se de que o interruptor esteja na posição desligada, antes de conectar a ferramenta à fonte de alimentação e/ou bateria, quando estiver pegando-a, ou quando estiver transportando-a. Transportar ferramentas elétricas com seu dedo no interruptor ou energizar ferramentas elétricas com o interruptor na posição ligada, propicia acidentes.
 - d) Remova todas as chaves ou ferramentas de trabalho, antes de ligar a ferramenta elétrica. Uma chave deixada em uma peça rotativa da ferramenta elétrica poderá resultar em ferimentos.
 - e) Não se estique demais. Mantenha sempre o equilíbrio e os pés em local firme. Isto permite um melhor controle da ferramenta em situações inesperadas.
 - f) Vista-se apropriadamente. Não use joias, nem roupas largas. Mantenha cabelos, roupas e luvas longe das peças móveis. Roupas largas, joias e cabelos longos podem ficar presos nas peças móveis.
 - g) Se for utilizar dispositivos para a aspiração e coleta de pó, assegure-se de que estejam conectados e sejam usados corretamente. O uso da coleta de pó pode reduzir os riscos associados ao excesso de pó.
- ### 4) Uso e cuidados com a ferramenta elétrica
- a) Não force a ferramenta elétrica. Use a ferramenta correta para sua aplicação. A ferramenta correta fará o trabalho melhor e com mais segurança, com a produtividade para a qual foi projetada.
 - b) Não use a ferramenta elétrica se o interruptor liga/desliga não estiver funcionando. Qualquer ferramenta que não puder ser controlada com o interruptor liga/desliga é perigosa e deve ser consertada.

- c) Desconecte o conector de tomada da rede elétrica e/ou a bateria da ferramenta, antes de realizar quaisquer ajustes, trocar acessórios ou de guardá-la. Estas medidas de segurança preventivas reduzem o risco de se ligar a ferramenta por acidente.
 - d) Guarde a ferramenta elétrica fora do alcance de crianças, quando não estiver em uso, e não permita que pessoas não familiarizadas com a ferramenta, e com estas instruções, a operem. Ferramentas elétricas são perigosas nas mãos de pessoas não treinadas.
 - e) Conserve as ferramentas elétricas. Verifique o alinhamento ou emperreamento das peças móveis, se existem peças quebradas ou outra condição que possa afetar a operação da ferramenta. Se a ferramenta estiver danificada, providencie o conserto, antes de usá-la. Muitos acidentes são causados por ferramentas mal conservadas.
 - f) Mantenha as ferramentas de corte limpas e afiadas. Ferramentas de corte com bordas afiadas, quando mantidas corretamente, são menos propensas a emperreamentos e mais fáceis de controlar.
 - g) Use a ferramenta elétrica, seus acessórios e outros elementos de acordo com estas instruções, considerando as condições de trabalho e o serviço a ser executado. O uso da ferramenta para operações diferentes daquelas para as quais foi projetada pode resultar em uma situação de risco.
- ### 5) Reparos

- a) Entregue sua ferramenta para reparos a pessoal técnico qualificado, que use apenas peças de reposição originais. Isto garantirá que a ferramenta continuará oferecendo segurança.

Segurança no uso de lixadeiras

 **AVISO:**

- Segure a ferramenta apenas pelas empunhaduras e superfícies aderentes isoladas, uma vez que a lixa poderá tocar no cabo da ferramenta. O corte de um cabo eletrificado pode eletrificar as partes metálicas da ferramenta, provocando um choque elétrico no operador.
 - Use uma morsa ou outra forma prática de prender a peça de trabalho a uma bancada firme. Segurar a peça de trabalho com a mão ou contra o corpo é um arranjo instável que pode levar a perda de controle.
 - Recomenda-se que a ferramenta seja sempre alimentada por meio de um dispositivo de corrente residual (DR) com especificação nominal de corrente residual de 30mA, ou menos.
 - Caso seja necessário trocar o cabo de alimentação, isto deverá ser feito pelo fabricante ou seu agente autorizado, de modo a evitar riscos.
- a) Use SEMPRE o equipamento de proteção individual apropriado, incluindo uma máscara contra pó com classificação mínima de FFP2, proteção ocular e auditiva.
 - b) Assegure-se de que todas as pessoas próximas ao local de trabalho também estão usando equipamento de proteção individual adequado.
 - c) Tome um cuidado especial quando lixar madeiras (Tais como fava, carvalho, mogno e teca). A poeira produzida é tóxica e pode causar reações extremas.
 - d) NUNCA use para processar materiais que contenham amianto. Consulte um profissional qualificado, caso não esteja certo se um determinado material contém amianto.
 - e) NÃO lixe magnésio ou ligas que contenham alto teor de magnésio.
 - f) Conheça os acabamentos de pintura e tratamentos que podem ter sido aplicados ao material sendo lixado. Muito tratamentos criam poeiras tóxicas, ou prejudiciais à saúde. Caso esteja trabalhando em uma construção feita antes de 1960, existe uma chance maior de encontrar tintas à base de chumbo.
 - g) A poeira produzida quando se lixam tintas à base de chumbo é particularmente prejudicial para crianças, mulheres grávidas e pessoas com pressão alta. NÃO permita que essas pessoas fiquem perto do local de trabalho, mesmo que estejam usando o equipamento de proteção individual correto.
 - h) Sempre que possível, use um sistema de aspiração de pó para controlar o pó e os resíduos.
 - i) Tome cuidado especialmente quando usar uma ferramenta para lixamento de metal e madeira. As centelhas do metal podem incendiar a serragem da madeira com facilidade. Limpe SEMPRE sua ferramenta completamente, para reduzir o risco de incêndio.
 - j) Esvazie o coletor ou recipiente (onde aplicável) de pó com frequência, durante a operação da ferramenta, antes das paradas e após o término do lixamento. A serragem pode se tornar um tipo de explosão. NÃO atire o pó resultante do lixamento em fogo aberto. Pode ocorrer combustão espontânea, quando partículas de óleo ou água entram em contato com partículas de poeira. Descarte os materiais residuais com cuidado e de acordo com as leis e regulamentos locais.
 - k) As superfícies de trabalho e lixas poderão se tornar muito quentes durante a operação. Se surgirem sinais de fogo (fumaça ou cinza), na superfície de trabalho, pare e deixe o material esfriar. NÃO toque a superfície de trabalho, ou a lixa, até que tenham tido tempo de esfriar.
 - l) NÃO toque a lixa em movimento.
 - m) Desligue SEMPRE a lixadeira quando for colocá-la na bancada.
 - n) NÃO use em lixamento de materiais úmidos. Os líquidos que entram na carcaça do motor poderão provocar fortes choques elétricos.
 - o) Desconecte SEMPRE a lixadeira da tomada, antes de trocar a lixa.
 - p) Mesmo quando a ferramenta é usada conforme prescrito, não é possível eliminar todos os fatores de risco residuais. Caso tenha alguma dúvida com relação ao uso seguro desta ferramenta, não a use.

Familiarização com o produto

1. Botão de ajuste de velocidade
2. Interruptor Liga/Desliga
3. Furos de fixação em bancada
4. Saídas de ar do motor
5. Furos guia da borda
6. Cabo de alimentação de energia
7. Adaptador do bocal de pó (removível)
8. Base de lixamento
9. Lixa-tubo
10. Parafuso de bloqueio
11. Arruela do tambor
12. Empunhaduras de borracha
13. Braçadeiras de fixação em bancada
14. Tapete de instalação em bancada
15. Tambor da lixa-tubo
16. Guia da borda
17. Parafuso de bloqueio da guia da borda (2)
18. Tambores/Lixas-tubos adicionais

Uso Pretendido

Lixadeira de fuso oscilante, portátil, compacta, para lixamento leve de bordas, de superfícies curvas internas e de modelos, tanto à mão livre como com a lixadeira instalada em bancada.

Desembalagem da sua ferramenta

- Desembale e inspecione cuidadosamente seu produto. Familiarize-se completamente com todos os recursos e funções
- Certifique-se de que todas as peças do produto estão presentes e em bom estado. Caso estejam faltando peças ou existam peças danificadas, substitua-as primeiro, antes de tentar usar a ferramenta.

Antes do uso

⚠ **AVISO:** Assegure-se de que a ferramenta está desconectada da fonte de alimentação, antes de instalar ou trocar acessórios, ou fazer quaisquer ajustes.

Seleção do grão correto da lixa-tubo

- As lixas-tubo estão disponíveis em uma variedade de grãos: grosso (60), médio (120) e fino (240)
- Use um grão grosso para lixar superfícies ásperas, o grão médio para alisar o trabalho e o grão fino para fazer o acabamento.
- Use sempre lixas-tubo de boa qualidade para maximizar a qualidade do trabalho acabado.
- É aconselhável fazer um teste em um pedaço de material sucatado, para determinar o melhor grão da lixa para o trabalho em particular. Se ainda existirem riscos na peça, após o lixamento, tente lixá-la novamente com uma lixa mais grossa para remover as marcas, antes de recomençar com a lixa do grão originalmente selecionado, ou tente usar uma nova lixa para eliminar as marcas indesejadas, antes de usar o grão mais fino e fazer o acabamento.

Instalação da lixa-tubo

⚠ **AVISO:** Assegure-se sempre de que a ferramenta está desligada e que o plugue está fora da tomada elétrica, antes de instalar ou remover as lixas-tubo.

Nota: Não continue usando lixas-tubo gastas, rasgadas ou com acúmulo de resíduos. Assegure-se de que foram removidos todos os objetos estranhos da peça de trabalho, como pregos e parafusos, antes de começar a lixar.

AVISO: Não use uma lixa-tubo sobre madeira, se tiver sido usada anteriormente sobre metal. Isso poderia impregnar a superfície da madeira com detritos.

1. Remova o parafuso de bloqueio (10) e a Arruela do tambor (11)(D).
2. Remova o tambor da lixa-tubo (15).
3. Deslize a lixa-tubo (9) sobre o tambor da lixa-tubo (A).
4. Reinstale o tambor da lixa-tubo de volta no tubo (B).
5. Reinstale a Arruela do tambor (C) e reaperte o Parafuso de bloqueio (D)

Nota: Veja o diagrama de montagem na fig. 1.

Coleta de pó

⚠ **AVISO:** Use SEMPRE um aspirador de pó adequado, ou sistema de aspiração de pó de oficina, caso o pó de lixamento contenha substâncias prejudiciais, como partículas de tinta velha, verniz, revestimentos de superfície, etc. Descarte SEMPRE o pó nocivo conforme prescrito pelas leis e regulamentos aplicáveis.

⚠ **AVISO:** Tome cuidado especial para se proteger contra poeiras nocivas quando estiver lixando superfícies, madeiras ou metais com tintas à base de chumbo, particularmente, se não tiver certeza das substâncias exatas que estão envolvidas. Todas as pessoas que entrarem na área de trabalho, devem usar uma máscara contra o pó e fumaças tóxicas envolvidas. Crianças e mulheres grávidas NÃO DEVEM entrar na área. NÃO coma, beba ou fume na área de trabalho.

- Esta lixadeira foi projetada para ser conectada a uma mangueira de aspirador de pó ou a um sistema de aspiração de pó de oficina. Este é o método preferido, e o mais eficaz, para a coleta de pó.
- Encaixe um tubo de aspiração adequado no Adaptador do bocal de extração de pó (7), fornecido.
- Para remover o Adaptador do bocal de extração de pó: gire no sentido anti-horário de modo que os pinos fiquem alinhados com as ranhuras do bocal de extração de pó e, então, remova.
- Para trocar o Adaptador do bocal de extração de pó: insira-o com os pinos alinhados com o bocal de extração de pó e gire o adaptador no sentido horário para bloqueá-lo no lugar (E).
- A lixadeira de fuso portátil pode ser usada sem o Adaptador do bocal de extração de pó e sem um sistema de extração de pó compatível; contudo, recomenda-se sempre usar um sistema de extração de pó compatível.

AVISO: Quando lixar metal, conecte sempre a lixadeira a um sistema de extração de pó de oficina adequado. Limpe SEMPRE a ferramenta COMPLETAMENTE, quando mudar de lixamento de madeira para lixamento de metal, e vice versa.

Nota: Esta ferramenta não é fornecida com um saco de pó porque requer um sistema de extração de pó eficaz. O uso de sacos de pó fornecidos por terceiros, também, não é eficaz e, portanto, não é recomendado.

Operação

⚠ **AVISO:** Use SEMPRE proteção ocular, auricular e respiratória adequadas, bem como luvas apropriadas, quando trabalhar com esta ferramenta.

AVISO: Não toque na lixa-tubo (9), quando esta estiver em movimento.

Nota: Sempre que possível, use braçadeiras para prender sua peça de trabalho à bancada.

AVISO: NUNCA permita que lixa se desgaste completamente, antes de trocá-la. Se estas duas medidas preventivas não forem seguidas, poderão haver danos no Tambor da lixa-tubo (15), o que impedirá a fixação correta das lixas-tubo.

Acionamento e desligamento

AVISO: Nunca ligue a lixadeira quando a lixa-tubo estiver em contato com a peça de trabalho ou com qualquer outra superfície. Isso pode fazer com que o operador perca o controle sobre a máquina levando a ferimentos sérios.

1. Conecte a unidade na energia elétrica.
2. Para ligar a lixadeira, pressione o botão ON/OFF (Liga/Desliga) (2) na posição "I".
3. Para desligar a lixadeira, pressione o botão Liga/Desliga (2) na posição "O".

AVISO: Espere sempre até que a máquina para de vibrar completamente, antes de posá-la na bancada. Sempre desconecte da alimentação elétrica, após o uso.

Ajuste da velocidade

⚠ **AVISO:** Nunca instale nenhum acessório no Tambor da lixa-tubo (15) que não tenha velocidade nominal igual ou superior à velocidade máxima sem carga desta lixadeira (Consulte "Especificação").

- Esta lixadeira possui um controle de velocidade variável, que permite que seja usado com diversos acessórios, para trabalhar em uma série de materiais, peças de trabalho e objetos diferentes.

Nota: O botão de ajuste de velocidade (1) pode ser ajustado quando a lixadeira estiver ligada ou desligada. Quando o botão de ajuste de velocidade estiver na posição "1", a velocidade sem carga da lixadeira será de 1800 mm²; Quando o botão de ajuste de velocidade estiver na posição "6", a lixadeira atingirá a velocidade máxima sem carga de 3200 mm².

- Para ajustar a velocidade, gire o botão de ajuste de velocidade até à posição desejada.
- As posições de velocidade vão de 1 a 6, sendo "1" a posição de velocidade mais lenta, e "6" a mais rápida.
- Se tiver dúvidas para escolher o valor correto de velocidade, adequado a uma tarefa específica, comece trabalhando em baixa velocidade, examine o resultado e ajuste para uma velocidade maior, se necessário.

Lixamento de bordas

- A lixadeira de fuso portátil é eficaz no lixamento de bordas de uma variedade de peças de trabalho planas (F).
- Assegure-se sempre de deixar a peça de trabalho presa e use braçadeiras, onde necessário.
- A Guia da borda (16) pode ser presa à lixadeira, se necessário (J). Aplique a Guia de borda na lixadeira e prenda com a posição desejada os Parafusos de bloqueio da guia de borda (17) (Fig. II).

1. Posicione a lixadeira com a Base de lixamento (8) plana sobre a superfície e com a Lixa-tubo (9) virada para baixo, garantindo que há espaço mais do que suficiente para o curso do movimento vertical do fuso oscilante.
2. Primeiro ligue o sistema de extração de pó (Se conectado) e, então, ligue a lixadeira de fuso.
3. Faça passes mais curtos na borda da peça de trabalho, ao invés de passes mais longos e lentos.
4. Deixe a lixadeira fazer o trabalho e não force a lixadeira contra a peça de trabalho, por aplicar pressão excessiva. Fazer isso poderia danificar a peça de trabalho e a ferramenta, ou provocar ferimentos no operador.

Nota: Quando usar a Guia da borda, comece lixando sempre a partir do canto ou borda da peça de trabalho. Comece com a guia de alimentação dianteira contra a peça de trabalho e movimente a ferramenta gradualmente sobre a superfície.

Lixamento com instalação invertida na bancada

AVISO: Assegure-se sempre de que a ferramenta está desligada e de que o plugue está fora da tomada elétrica, antes de instalar ou remover as lixas-tubo.

- A lixadeira de fuso portátil é eficaz no lixamento de bordas de uma variedade de peças de trabalho, quando a lixadeira é invertida e presa firmemente na posição de instalação em bancada (G).
1. Posicione o Tapete de instalação em bancada (14) na borda de uma bancada estável.
 2. Posicione a lixadeira de fuso portátil na posição invertida no tapete, fixando-a à bancada com as Braçadeiras de instalação em bancada (13), assegurando que a lixadeira está fixa na bancada, por meio do aperto das porcas borboleta das Braçadeiras de instalação em bancada.
 3. Conecte a mangueira do sistema de extração de pó ao Adaptador de extração de pó (se for necessária aspiração de pó).

Nota: Recomenda-se sempre o uso de um sistema de extração de pó compatível, quando a lixadeira de fuso portátil for usada na posição de montagem invertida em bancada.

4. Selecione a velocidade desejada no Botão de ajuste de velocidade (1).
5. Primeiro ligue o sistema de extração de pó (Se conectado) e, então, ligue a lixadeira de fuso.
6. Use a Base de lixamento (8) como uma superfície de mesa para estabilizar a peça de trabalho.
7. Deixe a lixadeira fazer o trabalho e não force a peça de trabalho contra a lixa-tubo, excessivamente (9). Fazer isso poderia danificar a peça de trabalho e a ferramenta, ou provocar ferimentos no operador.

Dicas de lixamento

- Se a ferramenta estiver conectada a um sistema de aspiração de pó, ligue o dispositivo aspirador antes de ligar a lixadeira.
- Sempre que possível, prenda as peças de trabalho na bancada. Assegure-se de que as peças de trabalho não conseguirão se mover, durante o trabalho.
- Mova a ferramenta com movimentos circulares sobre a superfície da peça de trabalho, aplicando uma pressão moderada e uniforme, até que seja atingido acabamento de superfície desejado.

AVISO: Pressão excessiva não produz uma remoção mais rápida de material; porém provocará um desgaste prematuro do disco abrasivo (9), e poderá danificar a ferramenta. O desempenho do lixamento e qualidade do acabamento são afetados primariamente pela escolha da lixa-tubo (Ver "Seleção do grau correto da lixa-tubo").

Lixamento de metais

AVISO: Quando se lixam metais, devem ser tomadas algumas precauções adicionais.

- Conecte SEMPRE a lixadeira por meio de um Dispositivo de Corrente Residual (RCD) adequado.
- Conecte SEMPRE a lixadeira a um sistema de aspiração de pó adequado.
- Limpe a ferramenta completamente, antes de usá-la para lixar metal.

AVISO: As partículas quentes de metal e centelhas podem incendiar resíduos de serragem. Limpe SEMPRE a ferramenta completamente, quando mudar de lixamento de madeira para lixamento de metal, e vice-versa.

- Uma lixa-tubo, que tenha sido usada para lixar metal, não deve ser usada para lixar madeira. Partículas residuais de metal podem causar arranhões e danificar a superfície da peça de trabalho.

Acessórios

- Existe uma linha de acessórios disponíveis em seu revendedor Triton, incluindo discos abrasivos perfurados com diversos grãos. Para sua segurança, use apenas acessórios originais da Triton. Peças de reposição podem ser adquiridas em seu revendedor Triton, ou on-line pelo site: www.tools4paresonline.com.

Manutenção

AVISO: Desconecte sempre a ferramenta da alimentação elétrica, antes de realizar qualquer manutenção/limpeza.

- Esta ferramenta é fabricada com o uso de componentes de primeira linha e os seus circuitos inteligentes mais recentes do mercado para proteger a ferramenta e seus componentes. Sob uso normal, a ferramenta deve apresentar uma vida útil longa.

Inspeção geral

- Verifique regularmente se todos os parafusos de montagem estão apertados. Eles podem se soltar com o tempo devido à vibração.
- Inspeccione o cabo de energia da ferramenta, antes de cada utilização, em busca de desgaste ou danos. Reparos devem ser realizados por um Centro de Serviços Autorizado da Triton ou Técnico. E isto também se aplica a qualquer cabo de alimentação elétrica da ferramenta.

Lubrificação

- Lubrifique todas as peças móveis com um aerossol lubrificante adequado, em intervalos regulares.

Limpeza

AVISO: Use SEMPRE equipamento de proteção, incluindo proteção ocular e luvas, quando limpar esta ferramenta.

- Mantenha sua ferramenta limpa o tempo todo. A sujeira e o pó produzem desgaste acelerado das peças internas e encurtam a vida útil da ferramenta.
- Limpe o corpo de sua ferramenta com uma escova macia e pano seco.
- Nunca use agentes cáusticos para limpar peças plásticas. Caso não seja suficiente uma limpeza seca, recomenda-se o uso de um pano úmido com detergente suave.
- Água não deve nunca entrar em contato com a ferramenta.
- Assegure-se de que a ferramenta está completamente seca, antes de usá-la.
- Se houver ar comprimido disponível, use-o para soprar a sujeira nos orifícios de ventilação (onde aplicável).

Superfícies do tambor da lixa-tubo

- A superfície do Tambor da lixa-tubo (15) precisa estar limpa, e livre de sujeira e de materiais estranhos, como cabelos, fibras, areia, etc.
- Para oferecer uma adesão adequada à fixação dos acessórios, a superfície do Tambor da lixa-tubo deve estar em boas condições.
- Quando usados extensivamente, os tambores de lixa-tubo se gastarão e não mais oferecerão o diâmetro necessário para adesão da lixa-tubo.

Nota: Estes Tambores de lixa-tubo da lixadeira não são cobertos pela garantia. Tambores de lixa-tubo de reposição poderão ser obtidos como peças de reposição em um Centro de Serviços Autorizado da Triton.

Limpeza do bocal de extração de pó

• Ocasionalmente poderá ser necessário desobstruir ou limpar o bocal de extração de pó e o canal.

1. Para limpar o bocal e o canal, remova primeiro o Tambor da lixa-tubo (15) (Consulte "Instalação de uma lixa-tubo").
2. Com uma chave de fenda (não fornecida), retire os parafusos da Base de lixamento (8) e remova a Base de lixamento. Tome cuidado para não perder as arruelas debaixo da Base de lixamento em cada furo de parafuso (H).
3. Na Base de lixamento, remova o disco de metal para revelar o duto de pó (I).
4. Limpe o canal interno, o bocal de pó e a cavidade da correia com uma escova e, depois, com ar comprimido.
5. Após a limpeza completa, troque a Base de lixamento e aperte os parafusos.
6. Substitua o tambor da lixa-tubo.

AVISO: Após a limpeza, garanta que todas as arruelas e parafusos estão no lugar e estão apertados, antes de reutilizar a lixadeira. Se a ferramenta vibrar excessivamente ou produzir qualquer ruído estranho, diferente do ruído em operação normal, PARE de usá-la e remova o plugue da fonte de alimentação. Siga o procedimento de limpeza, novamente, para assegurar que todas as peças são substituídas corretamente. Se som e vibração ainda ocorrerem, consulte um técnico de serviços qualificado da Triton.

Armazenamento

- Armazene esta ferramenta e seus acessórios em sua caixa, em um local seco e firme, fora do alcance de crianças.

Descarte

Cumpra sempre as leis nacionais ao descartar ferramentas elétricas que não funcionam mais e cujo reparo não é mais viável.

- Não descarte ferramentas elétricas, ou outros equipamentos elétricos e eletrônicos (WEEE) no lixo doméstico.
- Contate a autoridade local de eliminação de resíduos para saber o modo correto de descartar ferramentas elétricas.

Resolução de problemas

Problema	Possível causa	Solução
Nada funciona, quando o Interruptor ON/OFF (Liga/Desliga) (2) é acionado	Não há energia	Verifique a fonte de alimentação elétrica
	Interruptor Liga/Desliga danificado	Solicite a substituição do interruptor Liga/Desliga em um Centro de Serviço Autorizado
O motor sofre cortes, perde desempenho e produz centelhas e/ou cheiro de queimado	As escovas de carbono estão gastas	Solicite a substituição das escovas em um Centro de Serviços Autorizado
Não ocorre lixamento quando o interruptor Liga/Desliga (2) é acionado, mesmo com o motor funcionando,	As engrenagens não engatam	Consulte um Centro de Serviços Autorizado
Remoção de material lenta	A lixa-tubo (9) é fina demais ou está gasta	Instale uma nova lixa-tubo com grão mais grosso
	A velocidade ajustada na ferramenta é lenta demais.	Aumente a velocidade da ferramenta
Riscos na peça de trabalho após o lixamento	A lixa-tubo é grossa demais	Instale uma nova lixa-tubo com grão mais fino
	A remoção de material não é suficiente	Continue lixando
Marcas de queimadura na peça de trabalho	A lixa-tubo é incompatível com o material da peça de trabalho	Instale uma lixa-tubo adequada
	A velocidade ajustada na ferramenta é alta demais	Reduza a velocidade da ferramenta
	Pressão excessiva aplicada sobre a ferramenta	Use uma pressão menor enquanto desloca a máquina
Emissão de pó excessiva	O sistema de aspiração de pó não está conectado, ou está desligado	Verifique a conexão da mangueira do aspirador de pó, o Adaptador do bocal de pó (7) (se usado), e certifique-se de que o sistema de aspiração está Ligado
	A extração de pó não está funcionando; extração de pó bloqueada	Verifique o sistema de extração de pó; desbloqueie a extração de pó (Consulte 'Limpeza do bocal de extração de pó'). Se o problema persistir, consulte um Centro de Serviços Autorizado

Garantia

Para registrar sua garantia, visite nosso site em www.tritontools.com* e cadastre suas informações. Seus dados serão incluídos em nossa lista de endereços (a menos que indicado de outro modo) para que você receba informações sobre lançamentos futuros. Os dados que nos fornecer não serão repassadas a terceiros.

Registro de compra

Data de compra: ___ / ___ / ___

Modelo: **TSPSP650** Retenha sua nota fiscal como comprovante de compra.

A Triton Precision Power Tools garante ao comprador deste produto que se qualquer peça estiver comprovadamente defeituosa devido a falhas de material ou

mão de obra durante os próximos 3 anos a partir da data da compra original, Triton irá reparar ou, a seu critério, substituir a peça defeituosa sem custo.

Esta garantia não se aplica ao uso comercial nem se estende ao desgaste normal ou a danos decorrentes de acidente, abuso ou uso indevido.

* Registre-se online dentro de 30 dias após a compra.

Termos e condições aplicáveis.

Isto não afeta seus direitos legais.

Declaração de conformidade

O abaixo assinado: **Sr. Darrell Morris**

Conforme autorizado por: Triton

Declara que o equipamento: Está declaração foi emitida sobre a responsabilidade do fabricante. A presente declaração está em conformidade com a Legislação de Harmonização da União (Norma europeia).

Código de identificação: 949538

Descrição: Lixadeira portátil de fuso oscilante de 650 W

Está em conformidade com os seguintes padrões e diretivas:

- Diretiva de Maquinário 2006/42/EC
- Diretiva de EMC 2014/30/EU
- Diretiva de RoHS 2011/65/EU
- EN 60745-1:2009+A11:2010
- EN ISO 12100:2010
- EN 55014-1:2006+A2:2011
- EN 55014-2:2015
- EN 61000-3-2:2014
- EN 61000-3-3:2013

Orgão notificado: TÜV Rheinland Co., Ltd

A documentação técnica é mantida pela: Triton

Data: 17/05/17

Assinado:



Mr Darrell Morris

Diretor Geral

Nome e endereço do fabricante:

Powerbox International Limited, Company No. 06897059. Registered address: Powerbox, Boundary Way, Lufton Trading Estate, Yeovil, Somerset, BA22 8HZ, United Kingdom.

Tłumaczenie oryginalnej instrukcji

Wprowadzenie

Dziękujemy za zakup narzędzia marki Triton. Zalecamy zapoznać się z niniejszymi instrukcjami: zawierają one informacje niezbędne dla bezpiecznej i wydajnej obsługi produktu. Produkt posiada szereg unikalnych funkcji, dlatego też, nawet, jeśli jesteś zaznajomiony z podobnymi produktami, przeczytanie instrukcji obsługi umożliwi Ci pełne wykorzystanie tego wyjątkowego projektu. Przechowuj niniejsze instrukcje w zasięgu ręki i upewnij się, że użytkownicy narzędzia przeczytali i w pełni zrozumieli wszystkie zalecenia.

Opis symboli

Tabela znamionowa zawiera symbole dotyczące narzędzia. Stanowią one istotne informacje o produkcie lub instrukcje dotyczące jego stosowania.



Należy nosić środki ochrony słuchu
Należy nosić okulary ochronne
Należy nosić środki ochrony dróg oddechowych
Należy używać kasku ochronnego



Należy nosić rękawice ochronne



Należy w całości przeczytać instrukcję obsługi



Wymagany, bądź zalecany port odsysania pyłu



Do użytku wewnątrz pomieszczeń!



Należy zawsze odłączyć urządzenie od zasilania elektrycznego, podczas regulacji, wymiany akcesoriów, czyszczenia, konserwacji oraz gdy nie jest w użytku!



Konstrukcja klasy II (podwójnie izolowana w celu dodatkowej ochrony)



Ochrona środowiska Nie należy wyrzucać zużytych produktów elektrycznych wraz z odpadami komunalnymi. Jeśli jest to możliwe, należy przekazać produkt do punktu recyklingu. W celu uzyskania wskazówek dotyczących recyklingu należy skontaktować się z władzami lokalnymi lub sprzedawcą.



Urządzenie zgodne z odpowiednimi przepisami i normami bezpieczeństwa



Uwaga!



Toksyczne opary lub gazy!

Instrukcja obsługi i bezpieczeństwa

V	Wolt
~, AC	Prąd przemienny
A, mA	Amper, milli-Amp
n ₀	Prędkość bez obciążenia
opm	Oscylacji na minutę
Ø	Średnica
Hz	Herc
W, kW	Wat, kilowat
/min or min ⁻¹	Obroty lub ruch postępowo zwrotny) na minutę
rpm	Obroty na minutę
dB(A)	Poziom hałasu w decybelach (A mierzony)
m/s ²	Metry na sekundę do kwadratu (wartość drgań)

Dane techniczne

Numer modelu	TSPSP650
Napięcie elektryczne	EU 230–240 V
Moc	650 W
Prędkość bez obciążenia	1800–3200min ⁻¹
Szybkość oscylacji	50-90 oscylacji/min
Długość skoku	6,5 mm
Długość rękawa	76 mm (3")
Średnica tulei szlifierskiej	Ø13mm, Ø19mm, Ø26mm, Ø38mm (½", 1", 1 ½")
Klasa ochrony	
Stopień ochrony	IP20
Długość przewodu zasilającego	2 m (6')
Wymiary (Dł. x Szer. x Wys.)	262 x 84 x 261 mm
Waga	2,2 kg (4,85 lbs)
Parametry emisji dźwięku i wibracji	
Poziom ciśnienia akustycznego L _{PA}	86,4 dB(A)
Poziom mocy akustycznej L _{WA}	97,4 dB(A)
Niepewność pomiaru K	3 dB
Wartość emisji wibracji a _n	4,874 m/s ²
Niepewność pomiaru K	1,5 m/s ²
Poziom natężenia dźwięku dla operatora może przekroczyć 85dB(A) dlatego konieczne jest zastosowanie środków ochrony słuchu.	

W wyniku nieprzerwanego procesu rozwojowego produktów specyfikację produktów Triton mogą ulec zmianie bez uprzedniego powiadomienia.

OSTRZEŻENIE: Jeżeli poziom hałasu przekracza 85dB(A) należy zawsze stosować środki ochrony słuchu oraz, jeśli to konieczne, ograniczyć czas narażenia słuchu na nadmierny hałas. Jeśli poziom hałasu powoduje dyskomfort, nawet w przypadku zastosowania środków ochrony słuchu, niezwłocznie przestań korzystać z narzędzia i sprawdź czy środek ochrony słuchu jest prawidłowo zamontowany i zapewnia odpowiedni poziom tłumienia dźwięku w odniesieniu do poziomu hałasu wytwarzanego przez narzędzie.

OSTRZEŻENIE: Narażenie użytkownika na wibracje narzędzia może spowodować utratę zmysłu dotyku, drętwienie, mrowienie i zmniejszenie zdolności uchwyty. Długotrwałe narażenie może prowadzić do stanu przewlekłego. Jeśli jest to konieczne, ogranicz czas narażenia na wibrację i stosuj rękawice antywibracyjne. Nie korzystaj z urządzenia w trybie ręcznym w temperaturze niższej niż normalna komfortowa temperatura otoczenia, ponieważ zwiększy to efekt wywoływany przez wibracje. Skorzystaj z wartości liczbowych podanych w specyfikacji dotyczącej wibracji, aby obliczyć czas trwania i częstotliwość pracy z narzędziem.

Poziom hałasu i drgań w specyfikacji określone są zgodnie z normą EN60745 lub podobnymi normami międzynarodowymi. Wartości te reprezentują korzystanie z urządzenia w normalnych warunkach roboczych. Niebadała konserwacja, nieprawidłowy montaż lub nieprawidłowe użytkowanie urządzenia mogą spowodować wzrost poziomu hałasu oraz wibracji.

www.osha.europa.eu dostarcza informacji na temat poziomów hałasu i wibracji w środowisku pracy, które mogą być przydatne dla użytkowników prywatnych, którzy korzystają z urządzenia przez długi czas.

OGÓLNE INSTRUKCJE DOTYCZĄCE BEZPIECZEŃSTWA

OSTRZEŻENIE Przeczytaj wszystkie ostrzeżenia i instrukcje bezpieczeństwa. Nieprzestrzeganie ostrzeżeń i instrukcji może prowadzić do porażenia prądem, pożaru i / lub poważnych obrażeń.

OSTRZEŻENIE: Urządzenie nie jest przeznaczone do użytkowania przez osoby (w tym dzieci) o ograniczonej sprawności fizycznej lub umysłowej, lub o braku doświadczenia i wiedzy, chyba, że będą one nadzorowane lub zostaną poinstruowane na temat korzystania z urządzenia przez osobę odpowiedzialną za ich bezpieczeństwo. Należy pilnować, aby dzieci nie próbowały korzystać z urządzenia, jako zabawki.

Zachowaj wszystkie ostrzeżenia i instrukcje na przyszłość.

Termin „elektronarzędzie” odnosi się do urządzenia zasilanego sieciąwo (przewodowego) lub urządzenia zasilanego za pomocą baterii (bezprzewodowego).

1) Bezpieczeństwo obszaru pracy

- Zadbaj o prawidłową higienę i prawidłowe oświetlenie obszaru pracy. Zanieczyszczenie lub brak wystarczającego oświetlenia obszaru pracy mogą doprowadzić do wypadków.
- Nie należy używać elektronarzędzi w przestrzeniach zagrożonych wybuchem, np. w obecności łatwopalnych cieczy, gazów lub pyłów. Urządzenia elektryczne wytwarzają iskry, które mogą podpałić pył lub opary.
- Nie dopuszczaj dzieci ani innych osób do obszaru pracy elektronarzędzi. Nieuwaga może spowodować utratę kontroli.

2) Bezpieczeństwo elektryczne

- Wtyczka elektronarzędzia musi pasować do gniazda zasilania. Nie wolno modyfikować wtyczki w żaden sposób. W przypadku elektronarzędzi z uzziemieniem nie należy stosować przejściówek. Oryginalne wtyczki i pasujące gniazda zmniejszają ryzyko porażenia prądem.
- Unikaj dotykania uzziemionych powierzchni, takich jak rury, grzejniki, piece i lodówki. Uziemienie ciała powoduje zwiększenie ryzyka porażenia prądem.
- Nie wystawiaj elektronarzędzi na działanie deszczu lub wilgoci. Przedostanie się wody do urządzenia zwiększa ryzyko porażenia prądem.
- Nie należy nadwyręzać kabla. Nigdy nie używaj go do przenoszenia, przeciągania lub odłączania elektronarzędzia. Trzymaj przewód z dala od źródeł ciepła, oleju, ostrych krawędzi lub ruchomych części urządzenia. Uszkodzone lub poplątane kable zwiększają ryzyko porażenia prądem.
- W przypadku korzystania z urządzenia na wolnym powietrzu używaj przedłużacza przystosowanego do używania na zewnątrz. Korzystanie z przedłużacza przystosowanego do używania na zewnątrz zmniejsza ryzyko porażenia prądem.
- W przypadku korzystania z elektronarzędzi w miejscu o dużym natężeniu wilgoci należy używać gniazda zasilania wyposażonego w wyłącznik różnicowoprądowy (RCD). Korzystanie z wyłącznika różnicowoprądowego zmniejsza ryzyko porażenia prądem.

3) Bezpieczeństwo osobiste

- Podczas korzystania z elektronarzędzi bądź czujny, uważaj, co robisz i zachowaj zdrowy rozsądek. Nie używaj ich gdy jesteś zmęczony albo pod wpływem narkotyków, alkoholu lub leków. Chwila nieuwagi podczas obsługi urządzenia może spowodować poważne obrażenia ciała.
- Korzystaj ze środków ochrony osobistej. Zawsze stosuj środki ochrony oczu. Wyposażenie ochronne, takie jak maska przeciwpyłowa, obuwie robocze antypoślizgowe na szorstkiej podszewie, kask ochronny lub naszuszki ochronne używane w odpowiednich warunkach, zmniejsza ryzyko obrażeń.

- Zapobiegaj przypadkowemu włączeniu urządzenia. Przed podłączeniem do źródła zasilania i / lub akumulatora, podnoszeniem lub przenoszeniem narzędzia, upewnij się, że przełącznik zasilania znajduje się w pozycji wyłączonej. Przenoszenie urządzenia z palcem umieszczonym na wyłączniku zasilania lub podłączeniu elektronarzędzi przy włączonym przełączniku zasilania stwarza ryzyko wypadku.
- Przed włączeniem elektronarzędzia usuń z niego wszelkie klucze regulacyjne. Narzędzie lub klucz pozostawiony w obracającej się części elektronarzędzia może spowodować obrażenia ciała.
- Ne wychylaj się. W każdej chwili zachowaj odpowiednią pozycję i równowagę. Umożliwia to lepszą kontrolę nad elektronarzędziem w nieoczekiwanych sytuacjach.
- Noś odpowiednią odzież. Nie zakładaj do pracy z elektronarzędziem luźnej odzieży ani biżuterii. Trzymaj włosy, odzież i rękawice z dala od ruchomych części urządzenia. Luźne ubranie, biżuteria lub długie włosy mogą zostać wciągnięte przez ruchome części urządzenia.
- Jeśli do zestawu załączone są urządzenia do podłączenia mechanizmów odsysania i zbierania pyłu, sprawdź czy są one przyłączone i prawidłowo zamocowane. Korzystanie z urządzenia odsysającego pył może zmniejszyć zagrożenie pyłami.

4) Użytkowanie i pielęgnacja elektronarzędzi.

- Nie należy przeciągać urządzenia. Używaj narzędzi odpowiednich do danego zastosowania. Prawidłowe narzędzie wykona zadanie lepiej i bezpieczniejsze w podanym zakresie sprawności.
- Nie należy używać urządzenia, jeśli nie można go włączyć lub wyłączyć za pomocą odpowiedniego przełącznika. Urządzenia, które nie mogą być kontrolowane za pomocą przełącznika są niebezpieczne i muszą zostać oddane do naprawy.
- Przed dokonaniem regulacji, wymiany akcesoriów lub przechowywaniem elektronarzędzia odłącz wtyczkę od źródła zasilania i / lub akumulator od urządzenia. Te prewencyjne środki bezpieczeństwa zmniejszają ryzyko przypadkowego uruchomienia elektronarzędzia.
- Nie używaj elektronarzędzi w miejscu niedostępnym dla dzieci i nie dopuszczaj do nich osób nie znających elektronarzędzi lub ich instrukcji obsługi. Elektronarzędzia stanowią niebezpieczeństwo w rękach niedoświadczonych użytkowników.
- Przeprowadzaj konserwację elektronarzędzi. Sprawdź urządzenie pod kątem nieprawidłowego ustawienia lub zablokowania elementów ruchomych, pękniętych części lub innych usterek, które mogą mieć negatywny wpływ na funkcjonowanie urządzenia. W przypadku usterek należy naprawić urządzenie przed ponownym użyciem. Niewłaściwa konserwacja elektronarzędzi jest przyczyną wielu wypadków.
- Utrzymuj narzędzia tnące w czystości i dobrze naostrzone. Zabrane narzędzia tnące z ostrymi krawędziami tnącymi rzadziej się zacinają i łatwiej nimi sterować.
- Używaj elektronarzędzia, akcesoria, końcówki itp. zgodnie z tymi instrukcjami, biorąc pod uwagę warunki pracy i realizowane zadania. Używanie narzędzi do wykonywania prac niezgodnych z ich przeznaczeniem może doprowadzić do niebezpiecznych sytuacji.

5) Serwis

- Urządzenie powinno być serwisowane przez wykwalifikowany personel naprawczy przy użyciu wyłącznie oryginalnych części zamiennych. Zagwarantuje to bezpieczeństwo elektronarzędzia.

Bezpieczeństwo korzystania z urządzeń szlifierskich

⚠️ OSTRZEŻENIE!

- Należy trzymać elektronarzędzie za izolowane uchwyty bądź same uchwyty, ponieważ pas/arkusz szlifierski może dojść do kontaktu z kablem zasilania. Przecięcie kabla pod napięciem może spowodować, że odsłonięte elementy metalowe staną się przewodnikiem prądu i mogą grozić porażeniem prądu operatora.
- Należy użyć zacisków, bądź innego sposobu do podtrzymania obrabianego elementu do stabilnej podstawy. Przytrzymanie obrabianego elementu ręką bądź ciałem, sprawia, że jest niestabilny i może to doprowadzić do utraty kontroli.
- Urządzenie powinno być wyposażone w wyłącznik różnicoprądowy o znamionowym prądzie różnicowym nieprzekraczającym 30 mA.
- W przypadku konieczności wymiany przewodu zasilającego, należy oddać urządzenie do producenta, bądź jego agenta, aby uniknąć ryzyka niebezpieczeństwa.

- a. **Zawsze należy stosować odpowiednie środki ochrony osobistej, w tym maskę przeciwpyłową przynajmniej klasy FFP2, środki ochrony oczu i ochraniające uszu.**
- b. Upewnij się, że wszystkie osoby znajdujące się w pobliżu obszaru roboczego są również wyposażone w odpowiednie środki ochrony osobistej
- c. Zachować szczególną ostrożność podczas szlifowania pewnych rodzajów drewna (takich jak buk, dąb, mahoni i drzewo tekowe), ponieważ podczas szlifowania produkowany jest toksyczny pył, który może powodować poważne reakcje organizmu
- d. NIGDY nie należy próbować szlifować materiałów zawierających azbest. W razie niepewności, co do rodzaju materiału, należy się skontaktować ze specjalistą.
- e. NIE WOLNO szlifować magnezu lub stopów zawierających wysoki odsetek magnezu
- f. Uważać na lakier wykończeniowy lub środki ochronne zastosowane na szlifowanym materiale. Wiele środków lakierniczych może powodować wytwarzanie toksycznego lub szkodliwego pyłu. W przypadku pracy wykonywanej w budynkach wzniesionych przed rokiem 1960, istnieje ryzyko, że zastosowano w nich farby zawierające ołów.
- g. Pył wytwarzany podczas szlifowania farb zawierających ołów jest szkodliwy szczególnie w przypadku dzieci, kobiet w ciąży oraz osób cierpiących na nadciśnienie. Nie należy dopuszczać tych osób w pobliżu obszaru roboczego, nawet przy zastosowaniu odpowiednich środków ochrony osobistej.
- h. Jeśli jest to możliwe, zaleca się korzystanie z systemu odsysania pyłu w celu zachowania kontroli nad emisjami pyłu i innych odpadów
- i. Zachować szczególną ostrożność podczas stosowania urządzenia do szlifowania zarówno drewna, jak i metalu. Iskry wytwarzane podczas szlifowania metalu mogą łatwo podpaść drewniany pył. Należy zawsze dokładnie zczyścić urządzenie, aby zmniejszyć ryzyko pożaru.
- j. Należy opróżnić torbę na pył bądź pojemnik (w stosownych przypadkach) często podczas jego użytkowania, przed przerwaniem pracy, bądź po całkowitym jej skończeniu. *Kurz może stać się zagrożeniem wybuchu. NIE WOLNO wyrzucać pyłu/kurzu do otwartego ognia. Spontaniczne spalanie może wystąpić w przypadku, gdy cząsteczki oleju lub wody wejdą w kontakt z cząstkami kurzu. Należy zutylizować takie odpady starannie i zgodnie z lokalnymi przepisami.*
- k. Podczas korzystania z urządzenia powierzchnie robocze oraz papier ścierny mogą ulec znacznemu nagrzananiu. Należy niezwłocznie przerwać pracę z urządzeniem w przypadku pojawienia się śladów spalania (dymu lub popiołu) na powierzchni roboczej i odczekać, aż materiał ostygnie. Nie wolno dotykać powierzchni przedmiotu obróbki oraz papieru ściernego, dopóki nie ostygną.
- l. Nie dotykać papieru ściernego w ruchu.
- m. Należy zawsze wyłączyć szlifierkę przed odłożeniem
- n. NIE WOLNO stosować do szlifowania na mokro. Płyn, który dostanie się do silnika może spowodować poważne porażenie prądem.
- o. Przed rozpoczęciem wymiany lub zakładania papieru ściernego należy zawsze odłączyć szlifierkę od źródła zasilania
- p. Nawet wtedy, gdy urządzenie jest używane zgodnie z zaleceniami, nie jest możliwe wyeliminowanie wszystkich pozostałych czynników ryzyka rezydualnego. Nie korzystaj z urządzenia w przypadku pojawienia się wątpliwości dotyczących jego bezpiecznego użytkowania

Przedstawienie produktu

1. Pokrętko regulacji prędkości
2. Przełącznik On/Off
3. Otwory montażowe na stole roboczym
4. Wentylatory silnika
5. Otwory na prowadnicę krawędziową
6. Przewód zasilania
7. Adapter portu odsysania pyłu (zdejmowany)
8. Podstawa szlifierska
9. Tuleja szlifierska
10. Śruba blokująca
11. Podkładka bębna
12. Gumowe uchwyty
13. Zaciski montażu do blatu
14. Mata do montażu szlifierki na stole roboczym
15. Gumowy bęben szlifierski
16. Prowadnica krawędziowa
17. Wkręty mocująca prowadnice (2)
18. Dodatkowa tuleja szlifierska

Zastosowanie zgodnie z przeznaczeniem

Kompaktowa szlifierka oscylacyjna przeznaczona do lekkiego rodzaju zakrzywionych wewnętrznych szlifowań, bądź przy użyciu szablonu z możliwością pracy z wolnej ręki, bądź na stole roboczym.

Rozpakowanie narzędzia

- Ostrożnie rozpakuj i sprawdź narzędzie. Zapoznaj się ze wszystkimi mechanizmami i funkcjami.
- Upewnij się, że narzędzie zawiera wszystkie części i są one w dobrym stanie. Jeśli brakuje pewnych części lub są one uszkodzone, należy uzupełnić lub wymienić je przed rozpoczęciem korzystania z narzędzia.

Przygotowanie do eksploatacji

⚠️ OSTRZEŻENIE: Zawsze należy odłączyć urządzenie od zasilania przed usunięciem bądź zamocowaniem talerza szlifierskiego z mocowaniem na rzep.

Wybór odpowiedniego rękawa szlifierskiego

- Tuleje szlifierskie są dostępne w rozmaitych stopniach ziarnistości: gruboziarniste (uziarnienie 60), średnioziarniste (uziarnienie 120), drobnoziarniste (uziarnienie 240)
- Tuleja szlifierska gruboziarnista przeznaczona do szorstkiego wykończenia, średnioziarnista do gładkiego zaś drobnoziarnista do szlifowania wykończeniowego
- Zawsze należy używać tulei szlifierskiej dobrej, jakości w celu zmaksymalizowania, jakości zakończonyj pracy
- Wskazane jest przetestowanie tulei na niepotrzebnym kawałku drewna w celu określenia odpowiedniego rodzaju tarczy szlifierskiej do wykonania określonej pracy.
- Jeśli na obrabianym elemencie nadal widoczne są ślady należy wrócić do tarczy z grubszym uziarnieniem i je wyszlifować, bądź spróbować z pomocą nowej tarczy szlifierskiej, w celu całkowitego usunięcia niepożądanych śladów, a przed wymianą na tarczę drobnoziarnistą i przystąpieniem do szlifowania wykończeniowego

Mocowanie tulei szlifierskiej

OSTRZEŻENIE: Zawsze należy się upewnić, że urządzenie jest wyłączone od zasilania, a wtyczka wyciągnięta z kontaktu, przed próbą zamontowania bądź wymianą tulei szlifierskiej.

Uwaga: NIE WOLNO UŻYWAĆ zużytych, rozdartych, bądź mocno zatkaanych tulei szlifierskich. Przed przystąpieniem do pracy należy się upewnić, że obrabiany przedmiot nie posiada żadnych gwoździ, śrub bądź innych ciał stałych..

OSTRZEŻENIE: NIE WOLNO UŻYWAĆ TULEI SZLIFERSKIEJ do szlifowania drewna, która uprzednio była stosowana do szlifowania metalu. Może to spowodować zarysowanie powierzchni.

1. Odkręć śrubę blokującą (10) oraz zdjąć nakrętkę (11) (D)
2. Zdejmij gumowy bęben (15)
3. Nałóż tuleję szlifierską (9) na gumowy bęben szlifierski (A)
4. Nałóż ponownie bęben szlifierski na wrzeciono (B)
5. Umieść podkładkę bębna na miejscu (C) następnie przykręć śrubę blokującą (D)

Uwaga: Sprawdź Rys.1 jako schemat montażowy

Odsysanie pyłu

OSTRZEŻENIE: Niniejsza szlifierka jest zaprojektowana do podłączenia do węża domowego odkurzacza lub warsztatowego systemu odsysania, jeśli pył zawiera szkodliwe substancje, takie jak cząsteczki ze starej farby, lakieru, bądź inne powłoki. Zawsze należy używać szkodliwe pyły zgodnie z przepisami panującymi w danym regionie.

OSTRZEŻENIE: Należy zachować szczególną ostrożność w celu ochrony przed szkodliwym i toksycznym pyłem/kurzem podczas szlifowania powierzchni lakierowanych na bazie ołowiu, drewna i metalu szczególnie, jeśli nie jesteśmy pewni substancji zawartej w powłoce powierzchni. Wszystkie osoby znajdujące się w pobliżu miejsca pracy muszą być zaopatrzone w maski specjalnie zaprojektowane do ochrony przed toksycznym pyłem i wydzielanymi przy tym oparami. Dzieci i kobiety w ciąży nie mogą się zbliżać do miejsca pracy. NIE WOLNO jeść, pić bądź palić w obszarze pracy.

- Niniejsza szlifierka jest zaprojektowana do podłączenia do węża domowego odkurzacza lub warsztatowego systemu odsysania. Jest to preferowana i bardziej efektywna metoda odsysania pyłu
- Podłącz wąż odkurzacza do dołączonego adapteru portu odsysania pyłu (7)
- Aby zdjąć adapter portu odsysania pyłu: należy obrócić w lewo sworznie ustawione w linii z nacięciami portu odsysania, po czym zdjąć port ekstrakcji pyłu
- Aby wymienić adapter portu odsysania pyłu: umieść go razem z sworznią będącymi w linii, po czym przekręć adapter w prawo do zablokowania (E)
- Powyższe urządzenie może być wykorzystane bez adapteru odsysania pyłu, jednakże z kompatybilnym systemem odsysania

OSTRZEŻENIE: W przypadku szlifowania metalu, nie wolno korzystać z torby na pył! Gorące cząsteczki metalu i iskry mogą spowodować zapalenie resztkowego pyłu. Zawsze należy podłączyć urządzenie do odpowiedniego systemu ssącego. Zawsze należy dokładnie wyczyścić urządzenie przed zmianą rodzaju szlifowania z drewna na metal i odwrotnie..

Uwaga: Torba na pył nie jest dołączona do produktu, gdyż zalecany jest system ekstrakcji pyłu, jako efektywniejsza metoda odsysania.

Obsługa

OSTRZEŻENIE: Zawsze należy używać odpowiedniego wyposażenia ochronnego, podczas operowania tym narzędziem min. okularów ochronnych, środków ochrony dróg oddechowych oraz środków ochrony słuchu.

OSTRZEŻENIE: NIE WOLNO DOTYKAĆ rękawa szlifierskiego (9) znajdującego się w ruchu

Uwaga: W razie możliwości, zawsze należy używać zacisków montowanych do stołu warsztatowego w celu zabezpieczenia elementu poddawanego obróbce.

OSTRZEŻENIE: NIGDY nie wolno doprowadzić do całkowitego zużycia tarczy szlifierskiej przed ponowną jej wymianą. Niezastosowanie się do powyższych środków ostrożności, może doprowadzić do zniszczenia bębna szlifierskiego (15), w efekcie, czego, będzie niemożliwe poprawne zamontowanie tulei szlifierskiej.

Włączanie/wyłączenie

OSTRZEŻENIE: Nigdy nie należy uruchamiać szlifierki, jeśli tuleja szlifierska (9) znajduje się w kontakcie z przedmiotem obróbki, bądź inną powierzchnią. Może to doprowadzić do utraty kontroli przez operatora, a co za tym idzie doprowadzenie do poważnych uszkodzeń.

- Podłącz wtyczkę do źródła zasilania
- Aby uruchomić szlifierkę, pchnij przełącznik On/Off (2) na pozycję 'I'
- W celu wyłączenia szlifierki, pchnij przełącznik ON/OFF 'O'

OSTRZEŻENIE: Zawsze należy odczekać, aż maszyna samodzielną się zatrzyma przed odłożeniem jej na miejsce. Po czym odłączyć ją od źródła zasilania po zakończeniu użytkowania.

Regulacja prędkości urządzenia

OSTRZEŻENIE: NIGDY nie należy stosować akcesoriów na bębnie szlifierskim (15) jeśli ich maksymalna prędkość bez obciążenia jest niższa od prędkości obrotowej urządzenia (patrz dane techniczne).

- Niniejsza szlifierka Triton jest wyposażona w regulację prędkości, która może być wykorzystywana podczas stosowania różnorodnych akcesoriów, przy obróbce różnego rodzaju materiałów

Uwaga: Pokrętko regulacji prędkości (1) może być regulowane, kiedy szlifierka jest włączona bądź wyłączona. Jeśli pokrętko jest ustawione na pozycję '1' prędkość bez obciążenia szlifierki będzie wynosiła 1800min⁻¹; jeśli pokrętko zostanie ustawione na '6' prędkość bez obciążenia szlifierki będzie wynosić 3200 min⁻¹.

- Aby dostosować prędkość, przekręć pokrętko na żądane ustawienia w zakresie 1–6, gdzie '1' jest najniższą, zaś '6' najwyższą
- W przypadku wątpliwości, co do poprawnego ustawienia prędkości, należy rozpocząć pracę z wolnymi ustawieniami, sprawdzić rezultaty, po czym dostosować wyższe ustawienia w razie konieczności

Szlifowanie krawędzi

- Przenośna szlifierka obrotowa to efektywne urządzenie do szlifowania krawędzi na rozmaitych powierzchniach płaskich (F)
- Zawsze należy się upewnić, że przedmiot obróbki został bezpiecznie przymocowany
- Prowadnica krawędziowa (16) może być podłączona do szlifierki, w razie konieczności (J). Przyłóż prowadnicę krawędziową i przymocuj w wymaganej pozycji przy użyciu śrub blokujących (17) (Rys. II)

- Umieść szlifierkę z podstawą (8) blisko na materiale obróbki, zaś z tuleja szlifierska skierowaną ku doliowi (9), upewnij się, że masz wystarczającą miejsca na długość skoku szlifierki obrotowej w górę i w dół
- Uruchoom najpierw system ekstrakcji pyłu, (jeśli został podłączony), po czym włącz szlifierkę
- Wykonuj częściej krótkich pociągnięć wzdłuż krawędzi obrabianego przedmiotu, niż długich rzadziej
- Pozwól szlifierce na swobodną pracę, nie stosuj siły nacisku na urządzenie. Nie zastosowanie się do tych instrukcji może doprowadzić do uszkodzenia materiału obróbki, narzędzia oraz zranienia operatora

Uwaga: Podczas korzystania z prowadnicy krawędziowej, należy zawsze zaczynać szlifowanie od krawędzi. Zaczni od przednich krawędzi stopniowo przechodząc na powierzchnie elementu obróbki.

Szlifowanie na stole roboczym

OSTRZEŻENIE: Zawsze należy się upewnić, że urządzenie jest wyłączone od zasilania, zaś wtyczka wyciągnięta z gniazda, przed zainstalowaniem urządzenia na stole roboczym.

- Powyższe urządzenie jest efektywne podczas szlifowania krawędzi rozmaitych elementów obróbki, kiedy produkt jest przymocowany do stołu roboczego (G)

- Umieść matę(14) blisko krawędzi na stole roboczym, będącym stabilnie ustawionym
- Ustaw szlifierkę w odwróconej pozycji na macie i przymocuj do stołu, przy użyciu zacisków montażowych (13), upewnij się, że szlifierka jest bezpiecznie przymocowana do stołu roboczego poprzez dokręcenie pokręteł motylkowych zacisków stołu
- Podłącz wąż do systemu ekstrakcji pyłu dzięki adapterowi (w przypadku konieczności odsysania pyłu)

Uwaga: Zaleca się, aby korzystano z kompatybilnego systemu odsysania pyłu, podczas kiedy urządzenie jest w pozycji odwróconej na stole roboczym.

- Wybierz odpowiednią prędkość na pokrętko regulacji prędkości (1)
- Uruchoom system ekstrakcji pyłu, (jeśli jest podłączony, następnie uruchom szlifierkę
- Użyj podstawy szlifierskiej, (8) jako blatu stabilizującego element obróbki
- Pozwól szlifierce na swobodną pracę, bez zbędnego nacisku na tuleję szlifierską (9). W przeciwnym razie, może dojść do uszkodzenia przedmiotu obróbki, urządzenia, a nawet zranienia operatora

Wskazówki dotyczące szlifowania

- Podczas podłączenia szlifierki do system ssącego, należy najpierw uruchomić system ekstrakcji pyłu, po czym urządzenie, w razie potrzeby wyłączenia najpierw należy wyłączyć urządzenie, po czym system odsysania pyłu
- Przymocować zaciski do stołu warsztatowego, jeśli tylko istnieje taka możliwość, upewniając się przy tym, że obrabiany element nie zostanie przesunięty podczas pracy

OSTRZEŻENIE: Nadmierny nacisk nie prowadzi do zwiększenia wydajności szlifowania, lecz do silniejszego zużycia się elektronarzędzia i tulei ścierniej (9) i może uszkodzić urządzenie. Wydajność i jakość wykończenia jest zależna od wyboru tulei ścierniej (patrz 'Dane techniczne, odpowiedzi rodzaj tulei szlifującej').

Szlifowanie metalu

OSTRZEŻENIE: Podczas szlifowania metalu należy podjąć dodatkowe środki ostrożności.

- Zawsze podłączaj szlifierkę za pomocą odpowiedniego RCD
- Zawsze podłączaj urządzenie do odpowiedniego systemu ssącego
- Wyczyść urządzenie przed przystąpieniem do szlifowania metalu
- ⚠ **OSTRZEŻENIE:** Gorące cząsteczki metalu i iskry mogą spowodować zapalenie resztkowego pyłu. Zawsze należy dokładnie wyczyścić urządzenie przed zmianą rodzaju szlifowania z drewna na metal i odwrotnie.
- Nie należy używać papieru ściernego (tarczy szlifierskiej), którym obrabiano metal do obróbki drewna. Resztkowe cząsteczki metalu pozostałe na tarczy szlifierskiej mogą doprowadzić do zarysowania i uszkodzenia powierzchni obrabianego przedmiotu.

Akcesoria

Ogromny zakres akcesoriów, min. talerze i tarcze szlifierskie z różnym rodzajem uziamienia są dostępne w sprzedaży u dystrybutora Triton. Dla własnego bezpieczeństwa należy używać tylko oryginalnych akcesoriów Triton. Zakup części zamiennych jest dostępny na stronie internetowej toolsparesonline.com

Konserwacja

OSTRZEŻENIE: Przed przeprowadzeniem kontroli, czynności konserwacyjnych lub czyszczenia zawsze odłączaj urządzenie od źródła zasilania.

- Niniejsze narzędzie zostało wyprodukowane przy użyciu wiodącej klasy komponentów i wykorzystaniu inteligentnych układów, które chronią narzędzie i jego element. Przy normalnej obsłudze powinno zapewnić operatorowi długi czas użytkowania

Kontrola rutynowa

- Regularnie sprawdzać, czy wszystkie śruby mocujące są odpowiednio dokręcone. Wibracje mogą powodować ich poluzowanie.
- Sprawdzić przewód zasilania narzędzia przed każdym użyciem pod kątem uszkodzeń lub zużycia. Naprawy powinny być przeprowadzane przez autoryzowany punkt serwisowy Triton. Dotyczy to również przedłużaczy stosowanych przy urządzeniu.

Smarowanie

- Należy regularnie smarować wszystkie ruchome części urządzenia niewielką ilością środka smarnego w sprayu.

Czyszczenie

OSTRZEŻENIE: ZAWSZE podczas czyszczenia urządzenia stosuj środki ochrony osobistej, takie jak okulary i rękawice ochronne.

- Należy zawsze dbać o czystość urządzenia. Brud i kurz powodują szybsze zużycie elementów wewnętrznych i skracają okres eksploatacji urządzenia.
- Należy czyścić korpus urządzenia miękką szcztotką lub suchą ścierką.
- Do czyszczenia elementów plastikowych nie należy używać środków żrących. Jeśli czyszczenie na sucho nie przynosi wystarczających efektów, zalecane jest użycie wilgotnej szmatki i łagodnego detergentu.
- Nie wolno dopuszczać do kontaktu urządzenia z wodą.
- Upewnij się, że urządzenie jest całkowicie suche przed ponownym włączeniem.
- Jeśli to możliwe, przedmuchać otwory wentylacyjne czystym powietrzem sprężonym (w stosownych przypadkach)

Powierzchnia gumowego bębna szlifierskiego

- Powierzchnia gumowego bębna szlifierskiego (15) musi być czysta, wolna od brudu oraz innych materiałów, jak włosów, włókien, bądź piasku itp.
- W celu uzyskania odpowiedniej przyczepności dla montowanych akcesoriów, powierzchnia gumowego bębna szlifierskiego musi być w doskonałym stanie
- Podczas intensywnego stosowania, bęben szlifierski może ulec zużyciu, a co za tym idzie nie zapewni odpowiedniej średnicy przyczepności
- **Uwaga:** Wyżej opisany gumowy bęben szlifierski NIE podlega gwarancji. Należy wymienić bęben, który może zostać nabyty w autoryzowanym centrum serwisowym Triton.

Czyszczenie portu odsysania pyłu

- Okazjonalnie zaleca się odblokowanie, bądź wyczyszczenie portu i kanału odsysania pyłu

1. Aby wyczyścić port oraz kanał, należy najpierw zdjąć gumowy bęben szlifierski (15) (patrz 'Mocowanie tulei szlifierskiej')
2. Przy pomocy wkrętaka (brak w zestawie), wykręć wkręty mocujące podstawę szlifierską (8) i zdejmij ją. Należy zachować ostrożność, aby nie poluzować podkładek znajdujących się pod podstawą szlifierską na każdym otworze (H)
3. Zdejmij metalową płytkę z podstawy szlifierskiej, aby odsłonić kanał odsysania pyłu (I)
4. Wyczyść wnętrze kanału, portu odsysania pyłu oraz wnękę pasa pędzlem, a następnie sprężonym powietrzem
5. Po wyczyszczeniu, należy nałożyć podstawę szlifierską oraz dokręcić wkręty
6. Nałożyć ponownie tuleje szlifierską

OSTRZEŻENIE: Po wyczyszczeniu, upewnij się, że wszystkie podkładki, wkręty są w miejscu odpowiednio dokręcone przed ponownym użyciem szlifierki. Jeśli urządzenie nadmiernie wibruje i oddaje nieznane dźwięki, należy przerwać pracę i wyjąć wtyczkę z zasilania. Wykonaj procedurę czyszczenia ponownie, aby upewnić się, że wszystkie części zostały poprawnie założone. Jeśli wibracje i nieznane dźwięki nie ustąpiły należy się skonsultować z kwalifikowanym technikiem serwisowym Triton.

Przechowywanie

- Należy przechowywać narzędzie w bezpiecznym, suchym miejscu niedostępnym dla dzieci.

Utylizacja

Należy zawsze przestrzegać przepisów krajowych dotyczących utylizacji elektronarzędzi, które nie są już funkcjonalne i nie nadają się do naprawy.

- Nie wyrzucaj elektronarzędzi lub innych odpadów elektrycznych i elektronicznych (WEEE) wraz z odpadami komunalnymi.
- Skontaktuj się z władzami lokalnymi zajmującymi się utylizacją odpadów, aby uzyskać informacje na temat prawidłowego sposobu utylizacji elektronarzędzi

Rozwiązywanie problemów

Problem	Możliwa przyczyna	Rozwiązanie
Brak reakcji po wciśnięciu przycisku ON/OFF (2)	Brak mocy	Sprawdź zasilanie
	Uszkodzony przełącznik ON/OFF	Należy wymienić przełącznik ON/OFF w autoryzowanym serwisie Triton
Silnik włącza się, zauważalna utrata wydajności, widoczne iskry i/lub zapach spalinyzny	Zużyte szczotki węglowe	Należy wymienić szczotki w autoryzowanym serwisie Triton
Brak reakcji po włączeniu przełącznika ON/OFF (2), pomimo iż silnik pracuje	Biegi nie zostały załączone	Skonsultuj się z centrum serwisowym Triton
Powolne usuwanie materiału	Tuleja szlifierska (9) zbyt delikatna, bądź zużyta	Nalóż tuleję szlifierską z uziarnieniem gruboziarnistym
	Ustawiona zbyt niska prędkość	Zwiększ prędkość urządzenia
Widoczne zarysowania po szlifowaniu	Tuleja szlifierska zbyt zgrubna	Zamontuj tuleję szlifierską z drobniejszym uziarnieniem
	Nieusunięta wystarczająca ilość materiału	Kontynuuj szlifowanie
Znaki spalania na przedmiocie obróbki	Tuleja szlifierska niekompatybilna z materiałem	Zamontuj prawidłową tuleję szlifierską
	Prędkość narzędzia ustawiona zbyt wysoka	Zmniejsz prędkość urządzenia
	Zastosowany zbyt duży nacisk na szlifierkę	Użyj mniejszego nacisku podczas przesuwania urządzenia
Wytwarzana nadmierna ilość pyłu	Niepodłączony system ekstrakcji pyłu, bądź niewłączony	Sprawdź podłączenia węża, adapter portu odsysania pyłu (7) (jeśli jest w użyciu) oraz upewnij się, że system ekstrakcji pyłu jest włączony
	Nie działający system ekstrakcji pyłu; zablokowany system ekstrakcji pyłu	Sprawdź system ekstrakcji pyłu; odblokuj jeśli został zapchany (patrz 'Czyszczenie portu odsysania pyłu'. Skonsultuj się z centrum serwisowym Triton, jeśli problem nie ustąpił.)

Gwarancja

W celu rejestracji gwarancji odwiedź naszą stronę internetową www.tritontools.com* i podaj odpowiednia dane. Dane zostaną dodane do naszej listy wysyłkowej (chyba, że wskazano inaczej) w celu przesyłania informacji dotyczących przyszłych produktów. Dostarczone danie nie zostaną udostępnione osobom trzecim.

Protokół zakupu

Data zakupu: ___/___/___

Model: **TSPS650** Należy zachować paragon jako dowód zakupu

Deklaracja Zgodności WE

Niżej podpisany: Mr Darrell Morris

upoważniony przez: Triton

Oświadczam, że: Powyższa deklaracja została wydana na wyłączną odpowiedzialność producenta. Opisany powyżej przedmiot deklaracji jest zgodny z właściwymi przepisami Unijnego prawodawstwa harmonizacyjnego

Kod identyfikacyjny: 949538

Opis: Przenośna szlifierka obrotowa 650 W

Produkt jest zgodny z następującymi dyrektywami oraz normami:

- Dyrektywa maszynowa 2006/42/EC
- Dyrektywa kompatybilności elektromagnetycznej 2014/30/EC
- Dyrektywa RoHS 2011/65/EU
- EN 60745-1:2009+A11:2010
- EN ISO 12100:2010
- EN 55014-1:2006+A2:2011
- EN 55014-2:2015
- EN 61000-3-2:2014
- EN 61000-3-3:2013

Precyzyjne Elektronarzędzia Triton gwarantują nabywcy tego produktu pewność, iż w razie usterki bądź uszkodzenia z powodu wad materiałowych lub jakości wykonania, w ciągu 3 lat od daty zakupu, firma Triton naprawi bądź według własnego uznania bezpłatnie wymieni uszkodzoną część.

Powyższa gwarancja nie pokrywa szkód spowodowanych naturalnym zużyciem, nieprawidłowym użytkowaniem, nieprzeznaczaniem zaleceń obsługi, wypadkami lub wykorzystaniem urządzenia do celów komercyjnych.

* Zarejestruj swój produkt w ciągu 30 dni od daty zakupu.

Obowiązują zasady i warunki użytkowania.

Powyższe postanowienia nie mają wpływu na prawa ustawowe klienta.

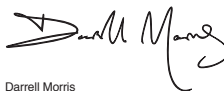
Jednostka notyfikowana: TÜV Rheinland Co., Ltd.

Dokumentacja techniczna produktu

znajduje się w posiadaniu: Triton

Data: 17/05/2017

Podpis:



Darrell Morris

Dyrektor Naczelny

Nazwa i adres producenta:

Powerbox International Limited, zarejestrowany pod numerem 06897059.

Adres rejestracyjny firmy : Powerbox, Boundary Way, Lufton Trading Estate,

Yeovil, Somerset, BA22 8HZ, United Kingdom.

Перевод исходных инструкций

Введение

Благодарим за выбор инструмента Triton. В этом руководстве содержится информация, необходимая для безопасной и эффективной эксплуатации изделия. Данное изделие отличается некоторыми уникальными особенностями, и даже если вы уже знакомы с аналогичными изделиями, важно внимательно прочитать это руководство и понять содержащиеся в нем инструкции. Убедитесь, что каждый пользователь инструмента ознакомился с руководством и понял его.

Обозначения

На паспортную табличку инструмента могут быть нанесены символы. Они представляют важную информацию об изделии или инструкции по его эксплуатации.



Пользоваться средствами защиты органов слуха
Пользоваться средствами защиты органов зрения
Пользоваться средствами защиты органов дыхания
Пользоваться средствами защиты головы



Пользоваться средствами защиты рук



ВНИМАНИЕ! Прочитайте руководство чтобы снизить риск получения травм.



Требуется или рекомендуется вытяжка пыли.



Использовать только в помещении!



Перед регулировкой, сменой оснастки, чисткой, обслуживанием и хранением прибора всегда отключайте его от сети питания.



Конструкция класса II
(двойная изоляция для дополнительной защиты)



Охрана окружающей среды
Утилизация электротехнических изделий с бытовым мусором запрещена. Такие изделия сдают в пункты утилизации, имеющие специальное оборудование. За рекомендациями по утилизации обращайтесь в местные органы власти или к дилеру.



Соответствует применимым законодательным актам и нормам безопасности.



Осторожно!



Ядовитые пары или газы!

Сокращения технических терминов

В	Напряжение (В)
~, АС	Переменный ток
А, мА	Ампер, миллиампер
п/с	Частота вращения без нагрузки
в/мин	Число вращательных или возвратно-поступательных движений в минуту
Ø	Диаметр
Гц	Герц
Вт, кВт	Ватт, киловатт
/мин или мин⁻¹	Число операций в минуту
об/мин	Число оборотов в минуту
дБ(А)	Уровень звука в децибелах (взвешенный по А)
м/с²	Метры в секунду в квадрате (значение вибрации)

Технические характеристики

Номер модели	TSPSP650
Напряжение	ЕС 230 В/240 В
Мощность	650 Вт
Частота вращения без нагрузки	1800–3200 мин ⁻¹
Частота колебания шпинделя	50–90 мин ⁻¹
Ход	6,5 мм
Длина втулки	76 мм
Диаметры втулок	Ø13 мм, Ø19 мм, Ø26 мм, Ø38 мм
Класс защиты	
Степень защиты оболочки	IP20
Длина электрического шнура	2 м
Габаритные размеры (Д x Ш x В)	262 x 84 x 261 мм
Масса	2,2 кг
Информация по шуму и вибрации	
Уровень звука излучения L _{дк}	86,4 дБ(А)
Корректированный уровень звуковой мощности L _{дк}	97,4 дБ(А)
Погрешность К	3 дБ
Взвешенное вибрационное ускорение a _w	4,875 м/с ²
Погрешность К	1,5 м/с ²
Уровень звука, воздействующего на оператора, может превышать 85 дБ(А). Использование средств защиты органов слуха обязательно.	

Ввиду того, что продукция постоянно совершенствуется, технические характеристики изделий Triton могут изменяться без уведомления.

ВНИМАНИЕ! Если уровень звука превышает 85 дБ(А), то обязательно пользуйтесь средствами защиты органов слуха. При необходимости ограничивайте продолжительность работы. Если шум вызывает дискомфорт даже при использовании средств защиты, незамедлительно выключите инструмент и убедитесь, что защита надежна правильно, а ее звукоизолирующие характеристики соответствуют уровню звука, вырабатываемого инструментом.

ВНИМАНИЕ! Воздействие вибрации инструмента на человека может вызывать потерю чувствительности, онемение, покалывание и снижение способности удерживать предметы. Продолжительное воздействие чревато развитием хронических заболеваний. При необходимости ограничивайте продолжительность работы и пользуйтесь антивибрационными перчатками. Не работайте в ручном режиме, если температура ниже комфортного уровня: в таких условиях вибрация оказывает более выраженное воздействие на организм. Продолжительность и периодичность работы с инструментом можно рассчитать по значениям, которые приведены в разделе «Технические характеристики».

Указанные в характеристиках уровни звука и вибраций получены в соответствии с EN60745 или аналогичными международными стандартами. Значения справедливы для инструмента в нормальном рабочем состоянии, эксплуатируемого в нормальных условиях. Нарушение регламента обслуживания, порядка сборки или эксплуатации инструмента может являться причиной повышения уровня звука и вибраций. На сайте www.oshwa.europer.eu представлена информация по уровням звука и вибраций на рабочем месте, которая может оказаться полезной для пользователей, работающих с инструментом в бытовых условиях в течение продолжительного времени.

Общие правила техники безопасности

ВНИМАНИЕ! Ознакомьтесь со всеми предупреждениями и инструкциями. Пренебрежение предупреждениями и инструкциями чревато поражением электрическим током, пожаром и/или серьезными травмами.

ВНИМАНИЕ! Эксплуатация прибора детьми, лицами с ограниченными физическими или умственными возможностями и лицами, не имеющими достаточного опыта или знаний, разрешается только при условии, что они будут находиться под присмотром ответственного за их безопасность или получат от него необходимые инструкции по работе с прибором. Не оставляйте детей без присмотра и не позволяйте им играть с прибором.

Сохраните все предупреждения и инструкции на будущее.

В разделе, посвященном технике безопасности, термин «электроинструмент» относится как к проводным (работающим от сети), так и к беспроводным (работающим от аккумулятора) инструментам.

1) Безопасность на рабочем месте

- Следите за чистотой и освещенностью рабочего места. Беспорядок или недостаток освещения повышают вероятность несчастного случая.
- Не работайте с электроинструментом во взрывоопасной атмосфере (например, в присутствии воспламеняющихся жидкостей, газов или пыли). Электроинструмент вырабатывает искры, которые могут воспламенить пыль или пары.
- Во время работы с электроинструментом не позволяйте детям и посторонним лицам приближаться к вам. Они будут отвлекать ваше внимание, и вы можете потерять управление.

2) Электробезопасность

- Вилки электроинструмента должны соответствовать розеткам. Категорически запрещается вносить какие-либо изменения в конструкцию вилки. Не разрешается подключать заземленный электроинструмент к сети через переходники. Применение стандартных вилки и соответствующих им розеток снижает риск поражения электрическим током.
- Не касайтесь заземленных предметов: трубопроводов, радиаторов, электрических плит и холодильников. Если ваше тело заземлено, то риск поражения электрическим током увеличивается.
- Берегите электроинструмент от дождя и влаги. Попадание воды внутрь электроинструмента увеличивает риск поражения электрическим током.
- Не допускайте повреждения электрического шнура. Запрещается переносить, тянуть или отключать электроинструмент от сети за шнур. Берегите шнур от нагрева, контакта с маслом, острыми кромками или движущимися деталями. Поврежденный или запутанный шнур увеличивает риск поражения электрическим током.
- При работе с электроинструментом вне помещения пользуйтесь удлинителем, пригодным для эксплуатации в таких условиях. Применение удлинителя, пригодного для эксплуатации вне помещения, снижает риск поражения электрическим током.

- Если работа во влажных условиях неизбежна, то электроинструмент следует подключать к источнику питания, снабженному устройством защитного отключения (УЗО). Применение УЗО снижает риск поражения электрическим током.

3) Личная безопасность

- Будьте внимательны, следите за тем, что делаете и руководствуйтесь здравым смыслом при работе с электроинструментом. Запрещается пользоваться электроинструментом, если вы устали или находитесь под действием алкоголя, наркотиков или лекарственных препаратов. Даже кратковременное ослабление внимания во время работы чревато тяжелой травмой.
- Пользуйтесь средствами индивидуальной защиты. Всегда пользуйтесь средствами защиты органов зрения. Грамотное применение средств защиты (например, респиратора, несколько слоев защитной обуви, каски или средств защиты органов слуха) снижает риск травм.
- Не допускайте непреднамеренного включения. Перед тем как подключить инструмент к розетке и/или аккумулятору, поднимать или переносить его убедитесь, что выключатель питания находится в положении «выключено». Если держать палец на выключателе питания при переносе инструмента или заржавят инструмент с включенным выключателем питания, то риск несчастного случая увеличится.
- Убирайте регулировочные ключи прежде чем включать электроинструмент. Гвоздьный ключ, присоединенный к вращающейся части электроинструмента, может нанести травмы.
- Не тянитесь за пределы комфортной зоны досягаемости. Твердо стойте на ногах и сохраняйте равновесие. Это позволит увереннее контролировать инструмент в неожиданных ситуациях.
- Одевайтесь надлежащим образом. Свободная одежда и украшения не допускаются. Держите волосы, одежду и перчатки подальше от движущихся частей инструмента. Свободную одежду, украшения или длинные волосы может наматывать на движущиеся части.
- Обязательно пользуйтесь устройствами вытяжки и сбора пыли, если конструкция предусматривает соединители для них. Соблюдайте правила их эксплуатации. Такие устройства снижают риски, связанные с пылью

4) Эксплуатация электроинструмента и уход за ним

- Не допускайте перегрузки электроинструмента. Правильно подбирайте инструмент под свои задачи. Грамотно подобранный инструмент будет работать качественнее и безопаснее без превышения номинальной нагрузки.
- Не работайте с электроинструментом, если выключатель питания не включается или не выключается. Любой электроинструмент с неработающим выключателем опасен и подлежит ремонту.
- Восоединяйте электроинструмент от розетки и/или аккумулятора, прежде чем выполнять настройку, менять оснастку или укладывать его на хранение. Данная мера предосторожности исключает случайный пуск инструмента.
- Храните электроинструмент в местах, недоступных для детей, и не позволяйте работать с ним лицам, не знакомым с электроинструментом или не изучившим данные инструкции. Электроинструмент опасен в неумелых руках.
- Обслуживайте электроинструмент. Следите за тем, чтобы не было бинения или заедания движущихся частей, сломанных деталей или признаков других неисправностей, способных повлиять на работу электроинструмента. Если инструмент поврежден, то эксплуатацию разрешается возобновлять только после ремонта. Причиной многих несчастных случаев становятся неудовлетворительное обслуживание электроинструмента.
- Следите за чистотой режущего инструмента и состоянием его режущих кромок. Если режущий инструмент надлежащим образом обслужен, то снижается вероятность защемления и облегчается управление.
- Соблюдайте эти инструкции при эксплуатации электроинструмента, оснастки и режущего инструмента. Учитывайте условия и особенности предстоящей работы. Использование электроинструмента не по назначению может быть опасным.

5) Ремонт

- Ремонт электроинструмента должен производиться квалифицированным специалистом с использованием идентичных запчастей. Только в этом случае ремонт электроинструмента не скажется на его безопасности отрицательным образом.

Правила техники безопасности при работе со шлифовальными машинками

⚠ ВНИМАНИЕ!

- Держите электроинструмент только за изолированные рукоятки или захватные поверхности, так как шлифовальная лента или иной абразивный инструмент может коснуться шнура питания. Надрезание находящегося под напряжением проводника может привести к тому, что неизолированные металлические детали инструмента тоже окажутся под напряжением. Это чревато поражением электрическим током.
- Крепите заготовку к устойчивой опоре с помощью струбцин или других подходящих средств. Заготовка, удерживаемая рукой или прижимаемая к телу, недостаточно хорошо зафиксирована и может выйти из-под контроля.
- Рекомендуется включать инструмент через устройство защитного отключения с номинальным остаточным током 30 мА или меньше.
- Замена поврежденного электрического шнура (в случае необходимости) должна выполняться производителем, его сервисным представителем или лицами аналогичной квалификации.

- 1) **ВСЕГДА** пользуйтесь подходящими средствами защиты, включая респиратор с классом защиты не ниже FFP2, средства защиты органов зрения и слуха.
- 2) Проследите за тем, чтобы все люди, находящиеся вблизи рабочего места, имели подходящие средства индивидуальной защиты.
- 3) Соблюдайте особую осторожность при обработке древесины определенных пород (например, бук, дуб, красного дерева и тика). Выделяемая пыль токсична и может вызвать острые реакции.
- 4) **КАТЕГОРИЧЕСКИ** запрещается обрабатывать материалы, содержащие асбест. Если вы не уверены в том, содержит ли заготовка асбест, проконсультируйтесь с квалифицированным специалистом.
- 5) **ЗАПРЕЩАЕТСЯ** шлифовать заготовки из магния или сплавов, содержащих большое количество магния.
- 6) Помните о том, что на обрабатываемые поверхности могло быть нанесено лакокрасочное или какое-либо другое покрытие. Пыль, производимая при шлифовании таких покрытий, может быть ядовитой (или может представлять какую-либо иную опасность). До 1960 года при строительстве зданий широко применялись краски на свинцовой основе.
- 7) Пыль, производимая при шлифовании таких красок, особенно вредна для детей, беременных женщин и лиц, страдающих гипертензией. **НЕ ПОЗВОЛЯЙТЕ** им находиться рядом с рабочей зоной (вне зависимости от наличия у них средств индивидуальной защиты).
- 8) По возможности пользуйтесь системой вытяжки для удаления пыли и отходов.
- 9) Соблюдайте особую осторожность при обработке дерева и металла одним и тем же инструментом. Искры, возникающие при обработке металла, могут воспламенить древесную пыль. Во избежание пожара **ВСЕГДА** тщательно очищайте инструмент.
- 10) Мешок или контейнер для пыли (если имеется) рекомендуется опустошать почаще во время работы, перед перерывами и по завершении шлифования. Некоторые пыли взрывоопасны. **НЕ ДОПУСКАЙТЕ** контакта пыли с открытым пламенем. При контакте частиц масла или воды с пылью может произойти спонтанное возгорание. При утилизации материалов соблюдайте осторожность и требования местных норм и правил.
- 11) Рабочие поверхности и абразивный инструмент сильно нагреваются во время работы. Если возникли признаки перегрева рабочей поверхности (дым или прижоги), остановите обработку и дайте заготовке остыть. Не касайтесь рабочей поверхности и абразивного инструмента до тех пор, пока не пройдет какое-то время, достаточное для их охлаждения.
- 12) **ЗАПРЕЩАЕТСЯ** касаться движущегося абразивного инструмента.
- 13) **ОБЯЗАТЕЛЬНО** отключайте шлифовальную машину перед тем как положить ее.
- 14) **ЗАПРЕЩАЕТСЯ** применять этот инструмент для влажного шлифования. Попадание жидкостей в корпус электродвигателя чревато тяжелым поражением электрическим током!
- 15) Перед заменой абразивного инструмента **ВСЕГДА** отключайте машину от сети.
- 16) Даже соблюдение всех правил эксплуатации этого инструмента не гарантирует отсутствия остаточных факторов риска. Если у вас возникли сомнения по поводу безопасной эксплуатации этого инструмента – воздержитесь от работы с ним.

Знакомство с изделием

1. Ручка регулировки скорости
2. Выключатель
3. Отверстия для крепления к верстаку
4. Отверстия для охлаждения электродвигателя
5. Отверстия для направляющей
6. Шнур питания
7. Переходник к соединению для отвода пыли (съемный)
8. Шлифовальная подошва
9. Шлифовальная втулка
10. Стопорный винт
11. Шайба барабана
12. Обрезиненные рукоятки
13. Зажимы для крепления к верстаку
14. Подкладка для крепления к верстаку
15. Барабан для шлифовальной втулки
16. Направляющая
17. Винт крепления направляющей (2 шт.)
18. Дополнительные шлифовальные втулки/барабаны

Назначение

Компактная, портативная шлифовальная машинка с плавящим шлинделем для легких операций шлифования кромок, шлифования сложных внутренних поверхностей и обработки по шаблону. Инструмент можно держать в руках или закрепить на верстаке.

Распаковывание инструмента

- Аккуратно распакуйте и осмотрите инструмент. Ознакомьтесь со всеми его характеристиками и функциями.
- Убедитесь, что все детали инструмента находятся в хорошем состоянии. Если какие-либо детали отсутствуют или повреждены, то эксплуатация инструмента разрешается только после замены таких деталей.

Перед эксплуатацией

⚠ **ВНИМАНИЕ!** Прежде чем устанавливать или менять какую-либо деталь или выполнять регулировку, отключите инструмент от сети питания.

Выбор шлифовальной втулки по зернистости

- Существуют несколько классов шлифовальных втулок: крупнозернистые (зернистость F60), среднезернистые (зернистость F120) и мелкозернистые (зернистость F240).
- Крупнозернистые абразивный инструмент применяется для черновой обработки, среднезернистый для полустиховой обработки, а мелкозернистый – для чистовой обработки.
- Чтобы качество обработки всегда оставалось высоким, пользуйтесь только высококачественными шлифовальными втулками.
- Оптимальную зернистость абразива для каждой конкретной операции рекомендуется определять путем пробных проходов по ненужному куску материала. Если шлифованием не удается убрать какие-либо поверхностные дефекты заготовки, попробуйте либо выполнить черновой проход абразивом с более крупным размером зерна (а затем вернуться к исходной зернистости), либо удалить дефекты свежим куском шлифовальной бумаги и доделать работу абразивом выбранной (более мелкой) зернистости.

Установка шлифовальной втулки

⚠ **ВНИМАНИЕ!** Перед установкой или демонтажем шлифовальных втулок всегда отключайте инструмент и отсоединяйте его от источника питания.

Примечание. **ЗАПРЕЩАЕТСЯ** продолжать эксплуатацию изношенных, порванных или сильно загрязненных шлифовальных втулок. Перед шлифованием следует обязательно удалить все посторонние предметы (например, гвозди и шурупы) из заготовки.

ВНИМАНИЕ! Не рекомендуется обрабатывать дерево втулкой, которая ранее использовалась по металлу. В противном случае на деревянной поверхности останутся задиры.

1. Выкрутите стопорный винт (10) и снимите шайбу барабана (11)(D).
2. Вытащите барабан для шлифовальной втулки (15).
3. Наденьте шлифовальную втулку (9) на барабан (A).
4. Установите барабан обратно на шлиндель (B).
5. Установите на место шайбу барабана (C) и закрепите ее стопорным винтом (D).

Примечание. Схема сборки показана на рисунке I.

Вытяжка пыли

⚠ ВНИМАНИЕ! Если отходы обработки содержат вредные вещества (частицы старой краски, лака, покрытий и т.д.), то шлифовальную машину следует обязательно подключать к подходящему пылесосу или системе вытяжки. Опасную пыль утилизируют в соответствии с нормами и правилами.

⚠ ВНИМАНИЕ! Примите особые меры защиты от опасных и ядовитых пыли при шлифовании поверхностей, окрашенных красителями на свицовой основе, дерева и металлов (особенно если вы не знаете точно, с какими веществами имеете дело). Все лица, входящие в рабочую зону, должны пользоваться респираторами, предназначенными для защиты от соответствующей ядовитой пыли и паров. Детям и беременным женщинам ЗАПРЕЩАЕТСЯ входить в рабочую зону. ЗАПРЕЩАЕТСЯ есть, пить или курить на рабочем участке.

- Шлифовальную машину можно подключать к шлангу бытового пылесоса или цеховой системы вытяжки. Это предпочтительный и самый эффективный метод подавления пыли.
- Присоедините подходящий вытяжной шланг к переходнику для отвода пыли (7).
- Чтобы снять переходник, поверните его против часовой стрелки так, чтобы штифты совместились с пазами в соединителе для отвода пыли, после чего вытаскийте его.
- Чтобы установить переходник на место, совместите его штифты с пазами в соединителе для отвода пыли, вставьте его и поверните по часовой стрелке до фиксации (E).
- Портативную шлифовальную машинку можно использовать без переходника соединителя для отвода пыли и подходящей системы вытяжки. Однако рекомендуется всегда использовать вытяжку.

ВНИМАНИЕ! При работе с металлом следует пользоваться подходящей цеховой системой вытяжки пыли. Переходя от обработки дерева к обработке металла или наоборот, всегда ТЩАТЕЛЬНО очищайте инструмент.

Примечание. Мешок для сбора пыли не поставляется с этим инструментом, потому что для эффективного отвода пыли требуется система вытяжки. Присоединение стороннего мешка для сбора пыли к переходнику соединителя для отвода пыли не обеспечит эффективного удаления пыли и, соответственно, не рекомендуется.

Эксплуатация

⚠ ВНИМАНИЕ! При работе с этим инструментом ВСЕГДА пользуйтесь подходящими средствами защиты органов зрения, дыхания и слуха. Пользуйтесь подходящими перчатками.

ВНИМАНИЕ! Запрещается касаться движущей шлифовальной втулки (9).

Примечание. По возможности всегда крепите заготовку к верстаку струбцинами.

ВНИМАНИЕ! ВСЕГДА меняйте абразивный инструмент, не дожидаясь полного износа. Нарушение этих мер предосторожности может привести к повреждению барабана шлифовальной втулки (15), в результате чего втулки не будут крепиться надлежащим образом.

Включение и выключение

ВНИМАНИЕ! Запрещается включать машинку, если шлифовальная втулка (9) контактирует с заготовкой или любой другой поверхностью. Оператор может потерять контроль над инструментом, что чревато тяжелой травмой.

- Присоедините шнур питания к розетке.
- Чтобы включить шлифовальную машинку, переведите выключатель (2) в положение «I».
- Чтобы выключить шлифовальную машинку, переведите выключатель (2) в положение «O».

ВНИМАНИЕ! Не кладите инструмент до тех пор, пока он полностью не прекратит вибрировать. После работы всегда отключайте вилку от источника питания.

Регулировка частоты вращения

⚠ ВНИМАНИЕ! Запрещается крепить к барабану для шлифовальной втулки (15) какую-либо оснастку, не соответствующую максимальной частоте вращения устройства без нагрузки (смотрите раздел «Технические характеристики»).

- Частоту вращения этой шлифовальной машинки можно регулировать, что позволяет применять самую различную оснастку и работать с самыми разными материалами, заготовками и объектами.

Примечание. Ручку регулировки скорости (1) можно перемещать вне зависимости от того, включена ли машинка. Если ручка стоит на «1», частота вращения машинки без нагрузки составит 1800 об/мин. Если ручка стоит на «6», будет развита максимальная частота вращения без нагрузки 3200 об/мин.

- Чтобы отрегулировать скорость, переведите ручку регулировки в нужное положение.
- Предусмотрены несколько ступеней регулировки (1-6), причем «1» – минимальная частота вращения, а «6» – максимальная.

- Если возникли сомнения в правильности настройки частоты вращения при предстоящей операции, начните с более низкой частоты, оцените результаты и, при необходимости, увеличьте частоту.

Шлифование кромок

- Портативная шлифовальная машинка эффективно обрабатывает кромки различных плоских заготовок (F).
 - Всегда следите за тем, чтобы заготовка была надежно закреплена. При необходимости используйте зажимы.
 - При необходимости на машинку можно установить направляющую (16) (J). После установки направляющую закрепляют в желаемом положении крепежными винтами (17) (рисунок III).
- Поставьте машинку так, чтобы шлифовальная подошва (8) лежала на заготовке всей плоскостью, а шлифовальная втулка (9) была направлена вниз. Обязательно оставьте достаточно места для вертикального перемещения плавающего шпинделя.
 - Включите систему вытяжки (если присоединена), и только затем саму машинку.
 - Рекомендуется выполнять более короткие проходы вдоль кромки заготовки, а не длинные и медленные.
 - Дайте машинке делать свою работу и не прижимайте ее к заготовке с чрезмерным усилием: это чревато повреждением заготовки и инструмента или травмами пользователя.

Примечание. При работе с направляющей всегда начинайте шлифование с угла или края заготовки. Прижимте направляющую к заготовке и медленно подавайте инструмент к поверхности.

Шлифование машинкой, установленной на верстак в перевернутом положении

⚠ ВНИМАНИЕ! Перед установкой или демонтажем шпиндельной шлифовальной машинки с верстака всегда отключайте ее и отсоединяйте от источника питания.

- Портативная шлифовальная машинка эффективно обрабатывает кромки различных заготовок, если надежно установить ее на верстаке в перевернутом положении (G).

- Положите подкладку для крепления к верстаку рядом с краем устойчивого верстака.
 - Установите портативную шлифовальную машинку в перевернутом виде на подкладку и прикрепите ее к верстаку с помощью зажимов для крепления к верстаку (13). Затяните гайки-барашки зажимов так, чтобы машинка надежно держалась на верстаке.
 - Присоедините шланг системы вытяжки пыли к переходнику соединителя для отвода пыли (если необходима вытяжка).
- Примечание.** При эксплуатации машинки, установленной в перевернутом виде на верстак, рекомендуется всегда использовать совместимую систему вытяжки пыли.
- Выберите желаемую скорость ручной регулировки (1).
 - Включите систему вытяжки (если присоединена), а затем – машинку.
 - Используйте шлифовальную подошву (8) в качестве опоры для заготовки.
 - Дайте машинке делать свою работу и не прижимайте шлифовальную втулку (9) слишком сильно к заготовке; это чревато повреждением заготовки и инструмента или травмами пользователя.

Рекомендации по шлифованию

- Систему вытяжки (если инструмент подключен к ней) включают до включения машинки.
- По возможности, крепите заготовки к верстаку струбцинами. Доводить его, чтобы заготовки не могли сместиться во время работы.

ВНИМАНИЕ! Чрезмерное давление не ускоряет снятие припуска, но приводит к преждевременному износу шлифовальной втулки (9) и может вызвать поломку машинки. Производительность шлифования и качество получаемой поверхности зависят, главным образом, от выбора шлифовальной втулки (смотрите «Выбор шлифовальной втулки по зернистости»).

Шлифование металла

⚠ ВНИМАНИЕ! При шлифовании металлов принимают дополнительные меры предосторожности.

- К шлифовальной машине ВСЕГДА должно быть подключено подходящее устройство защитного отключения (УЗО).
- Шлифовальная машина ВСЕГДА должна быть подключена к подходящей щетковой системе вытяжки.
- Перед шлифованием металла тщательно очистите инструмент.

⚠ ВНИМАНИЕ! Раскаленные частицы металла и искры могут воспламенить остатки древесной пыли. Переходя от обработки дерева к обработке металла или наоборот, ВСЕГДА ТЩАТЕЛЬНО очищайте инструмент.

• Шлифовальную втулку, которая использовалась для обработки металла, нельзя использовать по дереву. Оставшиеся металлические частицы могут поцарапать и повредить поверхность заготовки.

Оснастка

- Местный дилер Triton предоставляет широкий выбор оснастки, включая шлифовальные втулки различной зернистости. Ради собственной безопасности пользуйтесь только оригинальной оснасткой Triton. Запчасти можно приобрести у местного дилера Triton или заказывать на сайте www.toolsparsonline.com

Техническое обслуживание

⚠ ВНИМАНИЕ! Обслуживание/очистку разрешается начинать только после того, как инструмент будет отключен от источника питания.

- В конструкции этого инструмента применяются детали высшего качества и самые современные схемы защиты. При соблюдении правил эксплуатации он будет служить долго.

Общий осмотр

- Регулярно проверяйте затяжку всех крепежных винтов. Со временем затяжка может ослабевать от вибрации.
- Перед каждым использованием инструмента осматривайте шнур питания на предмет повреждений или износа. Ремонтные операции должны проводиться только официальным сервисным центром или техником Triton. Эта рекомендация распространяется и на шнуры-удлинитель, используемые с инструментом.

Смазка

- Все движущиеся детали должны регулярно смазываться подходящей распыляемой смазкой.

Очистка

⚠ ВНИМАНИЕ! При очистке этого инструмента ВСЕГДА пользуйтесь средствами защиты, включая средства защиты глаз и перчатки.

- Всегда держите инструмент в чистоте. Пыль и грязь ускоряют износ внутренних деталей и сокращают срок службы устройства.
- Для чистки корпуса используйте мягкую щетку или сухую тряпку.
- Запрещается использовать щелочные вещества для очистки пластиковых деталей. Если сухая чистка не дает желаемого результата, рекомендуется протереть инструмент влажной тряпкой с мягким моющим средством.
- Не допускайте контакта инструмента с водой.
- Тщательно высушите инструмент перед использованием.
- По возможности рекомендуется продувать вентиляционные отверстия сухим и чистым сжатым воздухом (при необходимости).

Поверхности барабана для шлифовальной втулки

- Поверхность барабана для шлифовальной втулки (15) необходимо содержать в чистоте, не допуская попадания грязи и посторонних объектов (волос, волокон, песка и т.д.).
- Состояние этой поверхности напрямую влияет на качество крепления оснастки.
- В результате интенсивной эксплуатации барабаны для шлифовальных втулок изнашиваются, и их диаметр не обеспечивает нормальное крепление втулок.

Примечание. На барабаны для шлифовальных втулок гарантия не распространяется. Запасные барабаны можно приобрести в официальном сервисном центре Triton.

Очистка соединителя для отвода пыли

- Время от времени может потребоваться очистка соединителя для отвода пыли и канала.

1. Чтобы очистить соединитель и канал, снимите барабан для шлифовальной втулки (15) (см. раздел «Установка шлифовальной втулки»).
2. Возьмите отвертку (не поставляется с инструментом), выкрутите винты в шлифовальной подошве (8) и снимите подошву. Не потеряйте шайбы в каждом крепежном отверстии под шлифовальной подошвой (Н).
3. Снимите металлическую пластину со шлифовальной подошвы, чтобы обнажить канал (I).
4. Прочистите внутренний канал, соединитель для отвода пыли и полость для ремня щеткой, после чего продуйте их сжатым воздухом.
5. После очистки установите шлифовальную подошву на место и закрепите ее винтами.
6. Установите обратно барабан для шлифовальной втулки.

ВНИМАНИЕ! После очистки проследите за тем, чтобы все шайбы, винты и болты были установлены на место и надлежащим образом затянуты. Только после этого можно возобновлять эксплуатацию машинки. Если инструмент слишком сильно вибрирует или издает необычные звуки, ПРЕКРАТИТЕ работу и отсоедините вилку от розетки. Выполните процедуру очистки заново и убедитесь, что все детали установлены на место правильно. Если звук и вибрация не устраняются, обратитесь к квалифицированному специалисту по обслуживанию Triton.

Хранение

- После работы укладывайте инструмент и оснастку в чемоданчик. Храните его в сухом, надежном, недоступном для детей месте.

Утилизация

Утилизация неработающего и не подлежащего ремонту электроинструмента должна выполняться в строгом соответствии с государственными нормативами.

- Запрещается утилизировать электроинструмент или иной лом электрического и электронного оборудования с бытовым мусором.
- Обратитесь в местное управление по утилизации отходов за информацией о правильных методах утилизации электроинструмента.

Поиск и устранение неисправностей

Неисправность	Возможная причина	Метод устранения
Не срабатывает выключатель (2).	Отсутствует питание.	Проверьте источник питания.
	Неисправен выключатель.	Сдайте инструмент в официальный сервисный центр Triton на замену выключателя.
Прерывистое вращение, потеря мощности и/или искрение электродвигателя и/или запах горелого во время работы.	Изношены графитовые щетки.	Сдайте инструмент на замену щеток в официальный сервисный центр Triton.
После включения выключателя (2), абразивный инструмент не начинает вращаться, несмотря на то, что электродвигатель работает.	Зубчатые колеса не зацепляются.	Обратитесь в сервисный центр Triton.
Медленное удаление припуска.	Слишком мелкая зернистость или высокий износ шлифовальной втулки (9).	Установите новую втулку с большим размером зерна.
	Слишком низкая частота вращения инструмента.	Увеличьте частоту вращения.
Царапины на заготовке после шлифования.	Слишком грубая шлифовальная втулка.	Установите новую втулку с меньшим размером зерна.
	Снят недостаточный припуск.	Продолжайте шлифование.
Прижоги на заготовке.	Шлифовальная втулка не соответствует обрабатываемому материалу.	Установите подходящую шлифовальную втулку.
	Слишком высокая частота вращения инструмента.	Уменьшите частоту вращения.
	Слишком высокое давление на шлифовальную машину.	Уменьшите давление на машину во время работы.
Образуется слишком много пыли.	Не присоединена или не включена система вытяжки.	Проверьте соединение шланга вытяжки переходник к соединению для отвода пыли (7) (если используется), убедитесь, что система вытяжки включена.
	Вытяжка пыли не работает; система вытяжки засорена.	Проверьте систему вытяжки, прочистите ее (смотрите раздел «Очистка соединителя для отвода пыли»). Если проблему устранить не удается, обратитесь в сервисный центр Triton.

Декларация соответствия CE

Нижеподписавшийся: Господин Дэррел Моррис (Darrell Morris)

уполномоченный компанией: Triton

Заявляет, что

Настоящая декларация была выпущена под единоличную ответственность производителя. Объект настоящей декларации отвечает требованиям соответствующих норм унификации Евросоюза.

Идентификационный код: 949538

Описание: Портативная шлифовальная машинка с плавающим шпинделем 650 Вт

Соответствует следующим директивам и стандартам:

- Директива по машинам 2006/42/EC
- Директива по электромагнитной совместимости 2014/30/EC
- Директива об ограничении использования вредных веществ 2011/65/EU
- EN 60745-1:2009+A11:2010
- EN ISO 12100:2010
- EN 55014-1:2006+A2:2011
- EN 55014-2:2015
- EN 61000-3-2:2014
- EN 61000-3-3:2013

Уполномоченный орган: TÜV Rheinland Co., Ltd.

Владелец технической документации: Triton

Дата: 17/05/2017

Подпись:



Господин Дэррел Моррис (Darrell Morris)

Директор

Название и адрес производителя:

Powerbox International Limited, Company No. 06897059.

Юридический адрес: Powerbox, Boundary Way, Lufton Trading Estate,

Yeovil, Somerset, BA22 8HZ, United Kingdom (Великобритания).

Az eredeti utasítások fordítása

Bevezetés

Köszönjük, hogy megvásárolta ezt a Triton terméket. A jelen útmutató a termék biztonságos és hatékony üzemeltetéséhez szükséges információkat tartalmazza. Ez a termék egyedi tulajdonságokkal rendelkezik, és még ha Ön ismeri is a hasonló termékeket, mindenképpen alaposan olvassa el ezt az útmutatót, hogy megértse a benne levő utasításokat. Ügyeljen arra, hogy a szerszámot használó minden személy elolvassa és teljesen megértse ezeket az utasításokat.

A szimbólumok leírása

A készülék adattábláján jelölések találhatóak. Ezek fontos információkat tartalmaznak a termékről vagy annak használatáról.



Viseljen fülvédőt.
Viseljen védőszemüveget.
Viseljen védőmaszkot.
Viseljen fejtvédőt.



Viseljen védőkesztyűt.



FIGYELEM! A sérülés veszélyének csökkentése érdekében a felhasználóknak el kell olvasniuk az útmutatót.



Porelégzés szükséges/javasolt.



Kizárólag beltéri használatra!



Mindig válassza le a gépet a hálózati feszültségről, ha nem használja, vagy mielőtt bármilyen beállítási, tartozékcsereelési, karbantartási vagy tisztítási műveletet végez.



II. érintésvédelmi osztály
(kettős szigetelés a nagyobb védetség érdekében)



Környezetvédelem A leselejeztett elektromos termékeket nem szabad a háztartási hulladékba dobni. Kérjük, vigye el a megfelelő újrafelhasználási helyre, ha létezik ilyen. Keresse meg a helyileg illetékes hatóságokat vagy a forgalmazót az újrafelhasználásra vonatkozó tanácsokért.



A készülék megfelel a vonatkozó jogszabályoknak és biztonsági szabványoknak.



Vigyázat!



Mérgező gőzök vagy gázok!

Műszaki rövidítések

V	Volt
AC	Váltakozó feszültség
A, mA	Amper, milli-Amp
n ₀	Üresjáratú fordulatszám
opm	Keringés vagy rezgés percenkénti száma
Ø	Átmérő
Hz	Hertz
W, kW	Watt, kilowatt
/perc v. min ⁻¹	Percenkénti irányváltás vagy fordulat
1/perc	Percenkénti fordulat
dB(A)	A-súlyozott zajszint decibelben
m/s ²	Méter per szekundumnégyzet (rezgés nagysága)

Műszaki adatok

Feszültség	EU 230–240 V
Teljesítmény	650 W
Üresjáratú fordulatszám	1800 – 3200 1/perc
Orsó rezgési gyakorisága	50 - 90 rezgés/perc
Lökethossz	6,5 mm
Csiszolóhüvely hosszúsága	76 mm
Csiszolóhüvely átmérője	Ø13 mm, Ø19 mm, Ø26 mm, Ø38 mm (¾", 1", 1½")
Érintésvédelmi osztály	□
Víz elleni védelemosztály	IP20
Hálózati vezeték hossza	2 m
Méreték (H x Sz x M)	262 x 84 x 261 mm
Tömeg	2,2 kg
Zajra és rezgésre vonatkozó adatok	
Hangnyomás szintje, L _{PA} :	86,4 dB(A)
Hangteljesítmény, L _{WA}	97,4 dB(A)
Tűrés, K	3 dB
Súlyozott vibráció, a _w	4,874 m/s ²
Tűrés, K	1,5 m/s ²
A kezelő számára a zajszint meghaladhatja a 85 dB(A) értéket, és szükséges lehet a hallásvédő eszközök alkalmazása.	

A folyamatos termékfejlesztés részeként a TRITON termékek műszaki adatai értesítés nélkül megváltozhatnak.

FIGYELEM: Mindig viseljen hallásvédő eszközt, ha a zajszint meghaladja a 85 dB(A) értéket, és korlátozza a zajnak való kitettség időtartamát, amennyiben szükséges. Ha a zajszint még fülvédővel is kényelmetlen, azonnal hagyja abba a szerszám használatát, és ellenőrizze, hogy a fülvédő megfelelően illeszkedik-e, és biztosítja-e a szerszám által keltett hangszint megfelelő csökkentését.

FIGYELEM: A szerszám vibrációja a felhasználónál a tapintásérzék elvesztését, zsibbadást, bizsergő érzést és csökkent fogási készséget eredményezhet. A hosszú távú kitettség krónikus betegséget okozhat. Szükség esetén korlátozza a rezgésnek kitettség időtartamát, és használjon rezgéscsillapító kesztyűt. Ne használja a szerszámot csupasz kézzel a normál, kellemes hőmérséklet alatt, mivel ekkor a rezgésnek erősebb lesz a hatása. A műszaki adatokban megadott vibrációs számadatokból kiszámítható a szerszám használatának időtartama és gyakorisága.

A műszaki adatokban megadott hang- és vibrációs szintek az EN60745 vagy hasonló nemzetközi szabványoknak megfelelően vannak meghatározva. A számadatok a szerszám szokásos működési körülmények között történő normál használatát jelzik. A rosszul karbantartott, rosszul összezerelt, vagy nem megfelelő módon használt szerszámmal a zajszint és a rezgés szint megemelkedhet. A www.osha.europa.eu webloldal tájékoztatást nyújt a munkahelyi hang- és vibrációs szintekről. Ez hasznos lehet az otthoni felhasználók számára, akik a szerszámokat hosszú időn át használják.

Általános munkavédelmi tudnivalók

FIGYELEM! Minden biztonsági figyelmeztetést és utasítást olvasson el. Amennyiben nem veszi figyelembe a figyelmeztetéseket, és nem tartja be az utasításokat, súlyos sérülés következhet be.

FIGYELEM: Ezt a készüléket nem használhatják csökkent fizikai vagy érzelmi képességekkel rendelkező személyek (beleértve ebbe a gyermekeket is), vagy tapasztalat és ismeretek nélküli rendelkező emberek, hacsak nem állnak a biztonságukért felelős személy felügyelete alatt, illetve nem követik annak utasításait. A gyermekeket felügyelet alatt kell tartani, hogy ne jöjjenek a szerszámmal.

Örizzon meg minden figyelmeztetést és utasítást a későbbi tájékozódás érdekében.

A figyelmeztetések említett „elektromos kéziszerszám” kifejezés az összes alábbi figyelmeztetés esetén az elektromos hálózatról üzemelő (vezetékes) szerszámokra és az akkumulátorról üzemelő (vezeték nélküli) szerszámokra is vonatkozik.

1) Munkaterület biztonság

- Tartsa tisztán és jól megvilágítva a munkaterületet. A rendezetlen és sötét területek vonzzák a baleseteket.
- Nem működőse az elektromos kéziszerszámokat robbanásveszélyes folyadékok, gázok vagy por jelenlétében. Az elektromos kéziszerszámok szikrákat bocsátanak ki, amelyek meggyújthatják a port vagy a gázokat.
- Az elektromos kéziszerszám használata közben a gyermekeket és a környezetben tartózkodókat tartsa távol! A figyelemelvonás miatt elvesztheti ellenőrzését a munka felett.

2) Elektromos biztonság

- A szerszám csatlakozódugója illeszkedjen az aljzathoz! Soha, semmilyen módon ne alakítsa át a dugaszt. Semmiféle csatlakozóadaptról ne használjon védővezetékekkel ellátott („földelt”) szerszámokhoz. A nem módosított, és az aljzatra illeszkedő csatlakozódugók csökkentik az áramütés veszélyét.
- Kerülje a fizikai érintkezést földel vagy testtel felülettel (pl. csövek, radiátorok, fűtőszekrények). Nő az áramütés veszélye, ha a felhasználó teste földelre van.
- Ne tegye ki a szerszámegyetek esőnek vagy vizes környezetnek. A szerszámegybé kerülő víz növeli az áramütés kockázatát.
- Ne sértsen meg a tápkábelt. Soha ne vigye, húzza vagy távolítsa el az aljzathoz a szerszámegyet a vezetéknel fogva. A kábelt tartsa távol a hőforrásoktól, olajtól, éles peremektől vagy mozgó alkatrészekről. A megrongálódott vagy összekuszálódott kábelek növelik az áramütés veszélyét.
- Ha az elektromos kéziszerszámot kültéri környezetben használja, használjon a kültérben alkalmazható hosszabbító kábelt. A kültéri alkalmazásra megfelelő hosszabbító használata csökkenti az áramütés veszélyét.
- Ha az elektromos kéziszerszám nedves környezetben történő működtetése elkerülhetetlen, használjon lekapcsolt áramvédő eszközzel (RCD) védett áramforrást. A FI-rellé használata csökkenti az áramütés veszélyét.

3) Személyi biztonság

- Legyen éber. Figyeljen arra, amit csinál. Használja a józan eszét, amikor a szerszámeggyel dolgozik. Ne használja az elektromos kéziszerszámot, ha fáradt, vagy amennyiben kábítószerek, alkohol vagy gyógyszerek hatása alatt áll. Az elektromos kéziszerszám működtetése során előforduló pillanatnyi figyelmetlenség súlyos személyi sérülést eredményezhet.
- Használjon személyi védőfelszerelést. Mindig használjon védőszemüveget. Az adott körülményekre alkalmazott olyan biztonsági felszerelések, mint például porvédő maszk, csúszásmentes biztonsági lábbeli vagy fülvédő csökkenti a személyi sérülések veszélyét.
- Kerülje el a véletlenszerű elindítást. Az áramforráshoz és/vagy az akkumulátorhoz történő csatlakoztatás előtt, vagy az eszköz felmelegedésekor vagy szállításkor, győződjön meg róla, hogy a BE/ KI kapcsoló az OFF (KI) helyzetben van-e. Baleset forrása lehet, ha a szerszámegyet úgy szállítja, hogy közben az újít a BE/KI kapcsolón tartja, vagy áram alá helyezi a szerszámegyet úgy, hogy a kapcsolója bekapcsol (ON) helyzetben van.
- A szerszámegy bekapcsolása előtt távolítson el minden állítókulcsot és villáskulcsot. Az elektromos kéziszerszám valamely mozgó alkatrésztől hagyott villáskulcs vagy állítókulcs személyi sérülést okozhat.
- Kerülje a rendellenes testtartást. Mindig biztosan álljon a lábán, és őrizze meg az egyensúlyát. Ez az elektromos kéziszerszám biztosabb irányítását teszi lehetővé váratlan helyzetekben.

- Öltözzön megfelelően. Ne viseljen bő ruhákat vagy ékszereket. A haját, a ruháját és a kesztyűjét tartsa távol a mozgó alkatrészekről. A bő ruhák, ékszerek vagy a hosszú haj beleakadhatnak a mozgó alkatrészekbe.
- Amennyiben a szerszámegyre por elvezetésére és összegyűjtésére szolgáló berendezéseket lehet csatlakoztatni, bizonyosodjon meg róla, hogy ezeket csatlakoztatta, és hogy használatuk a megfelelő módon történik. Ezeknek a készülékeknek a használata csökkenti a porral járó veszélyeket.

4) Szerszámegy használata és karbantartása

- Ne erőltesse az elektromos kéziszerszámot. A célnak megfelelő elektromos kéziszerszámot használja. A megfelelő elektromos kéziszerszám jobban és biztonságosabban végzi el azt a feladatot, amelyre tervezték.
- Ne használja a szerszámegyet, ha a kapcsolóval nem tudja be-, illetve kikapcsolni. A BE/KI kapcsolóval nem vezérelhető elektromos kéziszerszám veszélyes, ezért meg kell javítani.
- Mielőtt bármilyen beállítást végezne, tartozékokat cserélne, vagy eltávolít a szerszámegyről, válassza le a dugaszt a hálózatról és/vagy kösse le az akkumulátorcsomagot a szerszámegyről. Az ehhez hasonló megelőző intézkedések csökkenti a véletlenszerű bekapcsolás kockázatát.
- Az územük kivüli szerszámegyeket gyermekek által nem elérhető helyen tárolja és ne engedje, hogy a szerszámegyet vagy ezen utasításokat nem ismerő személyek használják a szerszámegyet. Az elektromos kéziszerszámok veszélyesek lehetnek a gyakorlati nem rendelkező felhasználók kezében.
- Tartsa karban a szerszámegyet. Ellenőrizze, hogy a mozgó alkatrészek illeszkedése és beállítása megfelelő-e, nincs-e rajtuk megbíróadó elem, vagy nem áll-e fenn olyan körülmény, amely hatással lehet az elektromos kéziszerszám működésére. Használat előtt javítsa meg az elektromos kéziszerszámot, amennyiben az sérült. A nem megfelelően karbantartott elektromos kéziszerszámok sok balesetet okoznak.
- A vágóeszközöket tartsa élesen és tisztán. A megfelelően karbantartott, éles vágóeszközökkel rendelkező vágószerológoknál kevésbé valószínű a beszorulás, és a szerszám irányítása is könnyebb.
- A szerszámegyet, a tartozékokat, a marfojezetek stb. ezen utasításoknak megfelelően, valamint a munkakörülmények és a végzendő munka figyelembe vételével használja. Az elektromos kéziszerszám rendeltetéstől eltérő használata veszélyes helyzetet okozhat.

5) Szerviz

- Az elektromos kéziszerszám szerelését bizza szakképzett szerelőre, aki az eredetivel megegyező alkatrészekkel végze a javítást. Ez biztosítja az elektromos kéziszerszám biztonságos működésének fenntartását.

A csiszológépre vonatkozó munkavédelmi figyelmeztetések

⚠ FIGYELEM!

- Az elektromos szerszámot kizárólag a szigetelt markolatainál fogja meg, mivel a csiszolószalag/vetelennül hozzáérhet a saját tápkábeléhez. A feszültség alatt álló vezeték elvágása miatt a szerszám fém alkatrészei is áram alá kerülhetnek, és a kezelőt áramütés érheti.
 - Használjon pillanatlanorítót vagy más eszközt a munkadarab stabil felületehez való rögzítéséhez. A munkadarab kézben tartása vagy az emberi testhez csatlakozása instabilitást eredményez, és az uralom elvesztéséhez vezethet.
 - Javasoljuk, hogy az áramellátást mindig érintésvédelmi, áramvédő kapcsolón (FI-rellén) keresztül biztosítsa, amelynek az érzékenysége nem haladhatja meg a 30 mA értéket.
 - Ha a tápkábel cseréje szükséges, a kockázatot elkerülése végett azt a gyártónak vagy a szervizépítelőnek kell elvégeznie.
- MINDIG használjon megfelelő védőfelszerelést, ideértve a védőszemüveget és fülvédőt, valamint egy legalább FFP2 besorolású porvédő maszkot.
 - Ügyeljen arra, hogy a munkaterület közelében tartózkodó többi személy is megfelelő személyi védőfelszereléssel legyen ellátva.
 - Bizonyos fajtájak esetében különösen óvatosan járjon el (úgy mint bükk, tölgy, mahagóni és tifa). Az anyagok megmunkálásakor keletkező por mérgező, és szélsőséges reakciókat válthat ki az egyéneknél.
 - SOHA ne munkáljon meg azbeszt tartalmú anyagot. Forduljon szakemberhez, ha nem biztos abban, hogy egy anyag tartalmaz-e azbesztet.
 - NE csiszoljon magnéziumot vagy magas magnéziumtartalmú ötvözetet.
 - Vegye figyelembe a csiszolóand targonán levő esetleges festéket vagy felületkezelést. Számos olyan kezelt felület létezik, mely az egészségére nem ártalmas, azonban a csiszológáskor a keletkező por mérgező. Ha 1960 előtt épített épületben dolgozik, nagy eséllyel találkozik ólomtartalmú festékekkel.

- g) Az olomtartalmú festékek csiszolásakor keletkezett por különösen veszélyes a gyermekekre, terhes anyákra és a magas vérnyomásban szenvedő emberekre. *NE engedje a felsorolt személyeket a munkaterület közelébe, még akkor sem, ha megfelelő személyi védőfelszerelést viselnek.*
- h) Amikor lehetséges, használjon porszivó rendszert a por és hulladék mennyiségének szabályozására.
- i) Különösen körültekintően járjon el, ha a gépet fa és fém csiszolásra is használja. A fém megmunkálás szikrái könnyen meggyújthatják a fa lerakódott porát. A gépet MINDIG alaposan tisztítsa meg a tűzveszély csökkentése érdekében.
- j) A használat során rendszeresen ürítse a porzsákokat vagy -tartályt (ha van), mielőtt szünetelteti vagy befejezi a csiszolást. *A por robbanásveszélyes helyzetet idézhet elő. A csiszolás során keletkezett port NE dobja nyílt tűzbe. Spontán robbanás következhet be, ha a porrészecskék olajjal vagy vízzel érintkeznek. A hulladékot gondosan, a helyi hulladékháztartási előírásokat figyelembe véve dobja ki.*
- k) Használat közben a megmunkálás alatt álló felület és a csiszolópapír erősen felforrósodhat. Ha égés jeleit (füstöt vagy hamut) észlel a megmunkálás alatt álló felületen, hagyja abba a munkavégzést, és várja meg, hogy az anyag lehűljön. *NE érintse meg a munkafelületet vagy a csiszolópapírt, amíg azok le nem hűltek.*
- l) NE érintse meg a mozgó csiszolópapírt.
- m) MINDIG kapcsolja ki a csiszológépet, mielőtt lennélné.
- n) NE használja nedves csiszolóhoz. *A motorháza jutó folyadékcsúlyos áramütéshez vezethet.*
- o) A csiszolópapír cseréje vagy felszerelése előtt MINDIG húzza ki a gépet az elektromos hálózati aljzatból.
- p) Szabvány szerinti használat esetén sem lehetséges kivédeni az összes fennmaradó kockázati tényezőt. *Ha nem bizonyos benne, hogy a szerszám biztonságosan használható, akkor ne használja a szerszámot.*

A termék ismertetése

1. Fordulatszám-szabályzó görgetőgomb
2. BE/KI kapcsoló
3. Rögztítőrutak a munkapadra szereléshez
4. Motor szellőzőnyílásai
5. Élvezető rögztítőrutai
6. Tápkábel
7. Porelvezető adapter (levegő)
8. Csiszolótalp
9. Csiszolóhüvely
10. Rögztítőcsavar
11. Csiszolódob-alátét
12. Gumi markolatok
13. Szorítók a munkapadra rögztítéshez
14. Védőszőnyeg a munkapadra szereléshez
15. Csiszolódob
16. Élvezető
17. Élvezető rögztítőcsavarja (2 db)
18. Tartozék csiszolódobok/hüvelyek

Rendeltetésszerű használat

Kompakt kialakítású, hordozható, rezgő orsós csiszológép kis terhelést jelentő élcsiszoláshoz, belső ívek csiszolásához vagy sabloncsiszoláshoz kézbent tartott vagy asztalra rögztített módszerrel.

A szerszám kicsomagolása

- Óvatosan csomagolja ki és ellenőrizze a szerszámot. Alaposan ismerkedjen meg az összes kezelőszervvel és funkcióival.
- Ellenőrizze, hogy a szerszám minden alkatrésze a helyén van és jó állapotú-e. Ha bármelyik alkatrész hiányzik vagy sérült, cseréltesse ki, mielőtt használni kezdi a szerszámot.

Használat előtt

▲ **FIGYELEM:** Bármely tartozék felszerelése vagy cseréje, valamint beállítások elvégzése előtt mindig húzza ki a szerszám dugvilláját a hálózati aljzatból.

A megfelelő szemcseméretű csiszolóhüvely kiválasztásax

- A csiszolóhüvelyek különböző szemcseméretben kaphatóak: durva (60-as szemcseméret), közepes (120-as szemcseméret) és finom (240-es szemcseméret).
- A durva szemcsemérettel végezze a nagyoló csiszolást, a közepessel simítsa tovább a felületet, majd a finom mérettel fejezze be a műveletort.
- A legjobb minőségű munka elérése érdekében mindig jó minőségű csiszolóhüvelyeket használjon.

- Érdemes egy eldobandó anyagon először próbát tenni az adott feladatnak való legmegfelelőbb csiszolópapír megválasztásához. Amennyiben a megmunkálás után továbbra is karcolások láthatók a munkadarabon, próbálkozzon egy durvább szemcsemérettel, és csiszolja ki a karcolásokat, mielőtt visszatérne az eredetileg kiválasztott szemcseméretre, vagy próbálkozzon egy új csiszolópapírral a nem kívánt karcolások eltüntetéséhez, mielőtt átérne egy finomabb tisztítási és befejező munkát.

A csiszolóhüvely felszerelése

▲ **FIGYELEM:** A csiszolóhüvely felhelyezése vagy eltávolítása előtt mindig kapcsolja ki a gépet, és húzza ki a dugaszát a konnektorból.

Megjegyzés: Elkoptott, szakadt vagy erősen eltömődött csiszolóhüvellyel ne folytassa a munkát. A csiszolás megkezdése előtt távolítsa el a munkadarabot az idegen tárgyakat, például a szegeket és csavarokat.

FIGYELEM: Ne használja fel munkadarabhoz olyan csiszolóhüvelyt, melyet korábban fém csiszolásához használt. Ez a fa felületének karcolódásához vezethet.

1. Távolítsa el a rögztítőcsavart (10) és a csiszolódob-alátétet (11) (D).
 2. Távolítsa el a csiszolódobot (15).
 3. Csiszátson egy csiszolóhüvelyt (9) a csiszolódobra (A).
 4. Helyezze vissza a csiszolódobot az orsóra (B).
 5. Tegye vissza a csiszolódob-alátétet (C), majd húzza meg a rögztítőcsavart (D).
- Megjegyzés:** Az összeszerelési rajz az I. ábrán látható.

Porelvezetés

▲ **FIGYELEM:** MINDIG csatlakoztassa a csiszológépet egy megfelelő porszivóhoz vagy üzemi porszivó rendszerhez, ha a csiszolás pora egészségére ártalmas anyagokat, például régi festés, lakkozás, felületi bevonat stb. darabkát tartalmazza. Az egészségére ártalmas por mindig a törvényi előírások szerint dobja hulladékkba.

▲ **FIGYELEM:** Fokozott figyelmet fordítson a káros és mérgező porok elleni védelemre, amikor olmalapú bevonnalt rendelkező felületeket, fakat és fémekeket csiszol, különös akkor, ha nem biztos az anyag pontos összetételében. Annak a személynek, aki belép a munkaterületre, viselnie kell a kifejezetten mérgező porok és füstök elleni védelemre tervezett maszkot. Gyermekek és várandós nők NEM léphetnek be a munkaterületre. NE egyen, igyon vagy dohányozzon a munkaterületen.

- A csiszológépet úgy terveztek, hogy egy háztartási porszivóhoz vagy egy üzemi porszivó rendszerhez lehessen csatlakoztatni. Ez a javasolt és leghatékonyabb módja a por elvezetésének.
- Illeszen egy megfelelő gégecsövet a mellékelt porelvezető adapterre (7).
- A porelvezető adapter eltávolítása: forgassa el az óramutató járásával ellentétesen úgy, hogy a csapjai egybeeszenek a porelvezető csónk vájataival, majd távolítsa el.
- A porelvezető adapter visszahelyezése: úgy helyezze a csónkba, hogy csapjai egybeeszenek a porelvezető csónk vájataival, majd forgassa el az adaptert az óramutató járásával ellentétesen, míg nem rögztül a helyén (E).
- A hordozható, rezgőorsós csiszológép a porelvezető adapter nélkül is használható egy anélkül is illeszkedő porszivó rendszerrel, azonban mindenképp javasolt a kompatibilis csatlakozás ellenőrzése.

FIGYELEM: Fém csiszolásakor mindig csatlakoztassa a csiszológépet egy megfelelő üzemi porszivó rendszerhez. Mindig ALAPOSAN tisztítsa meg a gépet, ha fa csiszolásáról fém csiszolására vált, vagy fordítva.

Megjegyzés: A szerszámhoz nincs mellékelve porzsák, mivel a hatékony porelvezetéshez porszivó rendszer alkalmazása szükséges. A más gyártó által készített porzsáknak az adapterhez való csatlakoztatása nem biztos hatékony porelvezetést, ezért nem javasolt megoldás.

Használat

▲ **FIGYELEM:** MINDIG viseljen védőszemüveget, megfelelő pormaszkot, fülvédőt és munkavédelmi kesztyűt, amikor a géppel dolgozik.

FIGYELEM: Ne érintse meg a mozgó csiszolóhüvelyt (9).

Megjegyzés: Lehetőség szerint mindig használjon csavaros szorítót a munkadarab munkaszálhoz rögztítéshez.

FIGYELEM: A csiszolópapír cseréjéhez SOHA ne várjon addig, hogy az teljesen elkopjon. Ezzen figyelmeztetések figyelmen kívül hagyása a csiszolódob (15) sérüléséhez és ahhoz vezethet, hogy a csiszolóhüvely nem fog megfelelően rögztülni.

Be- és kikapcsolás

FIGYELEM: Ne kapcsolja BE a csiszológépet, ha a csiszolóhüvely (9) érintkezne a munkadarabbal vagy bármilyen külv felülettel. Ez a gép feletti uralom elvesztését és súlyos személyi sérülést okozhat.

1. Csatlakoztassa a készülék hálózati kábelét a konnektorhoz.
2. A csiszológépet a BE/KI kapcsoló (2) „I” helyzetbe tolasával kapcsolja BE.
3. A csiszológépet a BE/KI kapcsoló „O” helyzetbe tolasával kapcsolja KI.

FIGYELEM: LERAKÁS előtt mindig várja meg, hogy a gép teljesen abbahagyja a rezgést. Használat után mindig húzza ki a gép dugvilláját a hálózati csatlakozóból.

A fordulatszám beállítása

▲ FIGYELEM: Ne illeszen olyan tartozékot a csiszolódobra (15), melynek maximális névleges fordulatszáma nem éri el a jelen gép maximális üresjárati fordulatszámát (lásd a Műszaki adatok c. szakaszt).

- A csiszológép változtatható fordulatszám-szabállyal rendelkezik, mely lehetővé teszi számos tartozék használatát, valamint különböző anyagok és munkadarabok megmunkálását.

Megjegyzés: A fordulatszám-szabályzó gőrgötögomb (1) a csiszológép BE vagy KI állapotában állítható be. Amikor a fordulatszám-szabályzó gőrgötögombot az „1” értékre állítja, a csiszológép üresjárati fordulatszámra 1800 1/perc; amikor a fordulatszám-szabályzó gőrgötögombot a „6” értékre állítja, a maximális üresjárati fordulatszám 3200 1/perc.

- A fordulatszám beállításához állítsa a fordulatszám-szabályzó gőrgötögombot a megfelelő értékre.
- A fordulatszám-tartomány 1-6 érték között változtatható, ahol „1” a legalacsonyabb, míg „6” a legmagasabb fordulatszám.
- Amennyiben nem biztos abban, hogy a kiválasztott fordulatszám megfelelő-e az adott munkához, kezdje a munkát alacsony fordulatszámmal, majd ellenőrizze az eredményt, és szükség esetén állítson be nagyobb fordulatszámot.

Élcsiszolás

- A hordozható, rezgő orsós csiszológép különféle lapos munkadarabok élének hatékony csiszolására képes (F).
 - Mindig ügyeljen arra, hogy a munkadarab szilárdan álljon, és ahol szükséges, használjon pillanatszorítót.
 - Szükség szerint élvezető (16) csatlakoztatható a csiszológéphez (J). Az élvezetőt csatlakoztassa a csiszológéphez, majd rögzítse a megfelelő helyzetben az élvezetőt rögzítő csavarokkal (17) (II. ábra).
- Helyezze a csiszológép csiszolótalpat (8) vízszintesen a munkadarabra úgy, hogy a csiszolóhüvely (9) lefele nézzen, és ügyeljen arra, hogy bőséges hely legyen a rezgő orsónak le- és felfele mozogni.
 - Először a porelszívó rendszert kapcsolja BE (ha csatlakoztatva van), majd utána a csiszológépet.
 - A munkadarab élé mentén inkább több, rövidebb menetet hajtson végre, miután hosszabb, lassabb meneteket.
 - Hagyja, hogy a csiszológép elvegye a munkát, és ne nyomja túlzottan nagy erővel a gépet a munkadarabhoz. Amennyiben így tesz, károsodhat a munkadarab és a szerszám, valamint személyi sérülés következhet be.

Megjegyzés: Az élvezető használatakor a csiszolást mindig a munkadarab sarkától vagy szélétől kezdje. Először az elülső vezetőfeleletet vezesse a munkadarabnak, majd fokozatosan vigye végig a készüléket a felületen.

Csiszolás asztra szerelt, fejfel lefele fordított szerszámmal

▲ FIGYELEM: A rezgő orsós csiszológép munkapadra szerelése előtt mindig kapcsolja KI a gépet, és húzza ki a dugaszát a konnektorból.

- A hordozható, rezgő orsós csiszológép különféle munkadarabok élének hatékony csiszolására képes, amikor a gép fejfel lefele fordított helyzetben egy munkadarab van biztonságosan rögzítve (G).

- Helyezze a felszereléshez való védőszőnyegét (14) egy stabil munkapad szélének közelébe.
- Helyezze a fejfel lefele fordított, rezgő orsós csiszológépet a védőszőnyegre, majd rögzítse a munkapadhoz a szorító (13) segítségével, és a szorító szármay anyának meghúzásával biztosítsa a csiszológép stabil helyzetét.
- A porelszívó rendszert tőljöttel csatlakoztassa a porelvezető adapterhez (amennyiben porelszívás szükséges).

Megjegyzés: Javasoljuk, hogy a munkadarabot fejfel lefele állított helyzetben felszerelt rezgő orsós csiszológéppel mindig lássa el megfelelő porelszívó rendszerrel.

- Állítsa a fordulatszám-szabályzó gőrgötögombot (1) a kiválasztott értékre.
- Először a porelszívó rendszert kapcsolja BE (ha csatlakoztatva van), majd utána a csiszológépet.
- A csiszolótalpat (8) használja a munkadarabot stabilizáló tárgyszalaktént.
- Hagyja, hogy a csiszológép elvegye a munkát, és ne nyomja túlzottan nagy erővel a munkadarabot a csiszolóhüvelyhez (9). Amennyiben így tesz, károsodhat a munkadarab és a szerszám, valamint személyi sérülés következhet be.

Ötletek csiszoláshoz

- Amennyiben porelszívó rendszert csatlakoztatott a csiszológéphez, először a porelszívó rendszert kapcsolja be, majd utána a gépet.
- Amikor lehetséges, rögzítse a munkadarabot munkapadhoz. Győződjön meg arról, hogy a munkadarab a munka során nem tud elmozdulni.

FIGYELEM: A gépre kifejlett túlzott nyomás nem eredményezi az anyag gyorsabb eltávolítását, azonban a csiszolóhüvely (9) idő előtti elkopásához vezet, és károsíthatja a szerszámot. A csiszolási teljesítmény és a felületkilégzőzés minősége főleg a csiszolóhüvely kiválasztásától függ (lásd: „A megfelelő szemcseméretű csiszolóhüvely kiválasztása” c. szakaszt).

Fém csiszolása

▲ FIGYELEM: Fém csiszolásokor néhány további óvintézkedés megtetele szükséges.

- A csiszológépet MINDIG megfelelő áramvédő kapcsolón (Fi-relé) keresztül csatlakoztassa az elektromos tápellátáshoz.
- A csiszológépet MINDIG csatlakoztassa egy megfelelő üzemi porelszívó rendszerhez.
- A szerszámot fém csiszolása előtt alaposan takarítsa meg.

▲ FIGYELEM: A forró fémrészecskék és a szikrák meggyújtják a maradék faport. MINDIG alaposan tisztítsa meg a gépet, ha fa csiszolásáról fém csiszolására vált, vagy fordítva.

- A fém csiszolására használt csiszolóhüvely a továbbiakban nem használható fa csiszolására. A maradék fémrészecskék karcolásokat eredményezhetnek, és a munkadarab felületének sérüléséhez vezethetnek.

Tartozékok

- A Triton forgalmazók a tartozékok széles választékával, többek között különböző szemcseméretű tartalék csiszolóhüvelyekkel állnak rendelkezésre. A saját biztonsága érdekében kizárólag eredeti Triton tartozékokat használjon. A cserealkatrészek a Triton forgalmazóknál vagy a www.toolsparsonline.com weboldalon szerezhetőek be.

Karbantartás

▲ FIGYELEM: Mindig válassza le a gépet a hálózati tápellátásról, mielőtt bármilyen karbantartási/tisztítási műveletet végezne.

- A szerszám kiváló minőségű anyagokból készült, és a legújabb, intelligens áramkörrel rendelkezik, mely megóvja a szerszámot és alkatrészeit a károsodástól. A termék normál használata esetén hosszú élettartam érhető el.

Általános átvizsgálás

- Rendszeresen ellenőrizze, hogy minden rögzítőcsavar kellően meg van-e húzva. Ezek a rezgés hatására idővel fellazulhatnak.
- Minden egyes használat előtt ellenőrizze, hogy a hálózati kábel nem sérült egy kopott-e. A javítást egy hivatalos Triton szervizben vagy szerviz szakemberrel kell elvégeztetni. Ez a tanács a szerszámmal használt hosszabbító kábelekre is érvényes.

Kenés

- Megfelelő kenő aeroszollal rendszeres időközönként finoman kenje meg az összes mozgó alkatrészt.

Tisztítás

▲ FIGYELEM: MINDIG viseljen megfelelő személyi védőfelszerelést, többek között védőszőnyegvet és kesztyűt a szerszám tisztítása közben.

- Tartsa a szerszámgepét mindig tisztán. Szennyeződés és por hatására a belső alkatrészek kopása gyorsabb lesz, és lerövidül a szerszám élettartama.
- Tisztítsa meg a gép testét egy puha kefével vagy száraz ronggyal.
- A műanyag részek tisztításához soha ne használjon maró anyagot. Amennyiben a száraz tisztítás nem elegendő, enyhén mosogatószerees rongy használatra javasolt.
- A szerszám soha nem érintkezhet vízzel.
- A szerszámot használat előtt alaposan szárítsa meg.
- Ha lehetséges, használjon tiszta, száraz, sűrített levegőt a szellőzőnyílások átvételezéséhez (ahol szükséges).

A csiszolódob felületei

- A csiszolódob (15) felületeit tisztán, szennyeződéستől és idegen anyagtól, például hajtól, rostoktól, homoktól stb. mentesen kell tartani.
- A tartozékok megfelelő tapadásának és rögzítésének biztosítása érdekében a csiszolódob felületének jó állapotban kell lennie.
- Gyakori használat esetén a csiszolódobok idővel elkopnak, és előfordulhat, hogy a dob már nem rendelkezik a tapadáshoz szükséges átmérvél.

Megjegyzés: A csiszológép csiszolódobjaira NEM vonatkozik a garancia. A csiszolódobok a hivatalos Triton márkaszervizekben szerezhetőek be pótalkatrészként.

A porelvezető csorn tisztítása

Ritkán szükségessé válhat a porelvezető csorn és a porelvezető csatorna eltömődésének megszüntetése/kitakarítása.

- A porelvezető csorn és a porelvezető csatorna tisztításához először távolítsa el a csiszolódobot (15) (lásd: „A csiszolóhüvely felszerelése”).
- Egy csavarhúzóval (nem tartozék) vegye ki a csavarokat a csiszolótalpból (8), majd távolítsa el a csiszolótalpat. Ügyeljen arra, hogy ne veszítse el a csiszolótalp furatai alatt elhelyezkedő alátéteket (H).

- A csiszolótalpról távolítsa el a porelvezető csatornát fedő fémlemez (I).
- Tisztítsa meg a csatornát, a porelvezető csontot és a hajtószíj féskét egy kefével, majd sűrített levegővel.
- Az alapos tisztítás után tegye vissza a csiszolótalpat, és húzza meg a csavarokat.
- Tegye vissza a csiszolódobot.

FIGYELEM: A tisztítást követően, az ismételt használat előtt ellenőrizze, hogy az összes csavar a helyén van-e és meg van-e húzva. Amennyiben a szerszám túlzottan rezeg, vagy különös, a normálistól eltérő hangot ad ki, NE HASZNÁLJA tovább, és húzza ki dugaszát a konnektorból. Tekintse át ismét a tisztítási eljárást annak ellenőrzésére, hogy minden alkatrész megfelelően a helyére van-e téve. Amennyiben továbbra is zaj és rezgés tapasztalható, forduljon a Triton képzett szerviz szakemberéhez.

Tárolás

- Használat után tárolja ezt a szerszámot és a tartozékait a tartótáskájában, és egy biztonságos, száraz, gyermekek által nem elérhető helyen.

Leselejtezés

A már nem működőképés és javíthatatlan elektromos kéziszerszámok ártalmatlanítása során mindig tartsa be nemzeti előírásokat.

- Ne dobja ki a leselejtezett elektromos és elektronikus berendezést (WEEE) a háztartási hulladékkal együtt.
- Forduljon a helyi hulladékkezelési hatóságához, hogy tájékozódjon az elektromos szerszámok ártalmatlanításának megfelelő módjáról.

Hibaelhárítás

Hibajelenség	Lehetséges ok	Megoldás
A gép nem reagál a BE/KI kapcsoló (2) működtetésére	Nincs tápfeszültség	Ellenőrizze a tápfeszültséget
	Hibás BE/KI kapcsoló	A hibás BE/KI kapcsolót cseréltesse ki hivatalos Triton szervizben
A motor akadozik, teljesítménye lecsökken, szikrázik és/vagy égő szagot bocsát ki	A szénkefék kopottak	Cseréltesse ki a szénkeféket a Triton márkaszervizben
A gép nem végez csiszolást a BE/KI kapcsoló (2) működtetésekor, noha a motor működik	A fogaskerekek nem kapcsolódtak össze	Forduljon a Triton márkaszervizhez
Lassú anyagleválasztás	A csiszolóhüvely (9) túl finom vagy kopott	Tegyen fel új, durvább szemcseméretű csiszolóhüvelyt
	A gép fordulatszáma túl alacsony	Növelje a gép fordulatszámát
Karcosok láthatók a munkadarabon csiszolás után	A csiszolóhüvely túl durva szemcseméretű	Tegyen fel új, finomabb szemcseméretű csiszolóhüvelyt
	Nem távolított el elegendő anyagot a munkadarabról	Folytassa a csiszolást
Égésnyomok a munkadarabon	A csiszolóhüvely nem megfelelő a munkadarab anyagához	Helyezzen fel megfelelő csiszolóhüvelyt
	A gép fordulatszáma túl magas	Csökkentse a gép fordulatszámát
	Túl nagy nyomást fejtett ki a csiszológépre	A gép mozgatasakor kisebb nyomóerőt fejtson ki
Túlzott mértékű porkibocsátás	Nincs porelszívó rendszer csatlakoztatva, vagy a porelszívó rendszer nincs bekapcsolva	Ellenőrizze a porelszívó gégecső és a porelvezető adapter (7) csatlakoztatását, valamint azt, hogy a porelszívó rendszer be van-e kapcsolva
	A porelvezetés nem megfelelő: a porelvezető rendszer eltömődött	Ellenőrizze a porelvezető rendszert; szüntesse meg az eltömődést (lásd: „A porelvezető csont tisztítása”). Forduljon a Triton márkaszervizhez, ha a hiba továbbra is fennáll

Jótállás

A jótállás regisztrálásához látogassa meg webhelyünket a www.tritontools.com címen, és adja meg adatait. Adatai bekerülnek a levelezési listánkba (kivéve, ha ezt másképpen adja meg), és tájékoztatjuk a későbbi kiadásokról. A megadott adatokat nem bocsátjuk harmadik fél rendelkezésére.

Vásárlási nyilvántartás

Vásárlás dátuma: ___/___/___

Típus: **TSPSP650** Őrízze meg a vásárlást igazoló nyugtát.

EK Megfelelőségi nyilatkozat

Alulírott: Mr Darrell Morris

meghatalmazva az alábbi által: Triton

Kijelentem, hogy az alábbi Ezt a nyilatkozatot a gyártó kizárólag a saját felelősségére bocsátotta ki. A nyilatkozat tárgya megfelel az Európai Unió idevonatkozó harmonizációs törvényeinek.

Azonosító kód: 949538

Leírás: 650 W-os, hordozható rezgő orsós csiszológép

kielégíti az alább felsorolt irányelvek és szabványok előírásait:

- 2006/42/EC gépészeti irányelv
- 2014/30/EC EMC irányelv
- 2011/65/EU RoHS irányelv
- EN 60745-1:2009+A11:2010
- EN ISO 12100:2010
- EN 55014-1:2006+A2:2011
- EN 55014-2:2015
- EN 61000-3-2:2014
- EN 61000-3-3:2013

A Triton Precíziós Szerszámgépek garantálják vásárlóinak, hogy bármely alkatrész anyaghibából vagy gyártási hibából, a vásárlás időpontjától számított 3 éven belül bekövetkezett meghibásodása esetén, a Triton ingyenesen megjavítja - vagy alapos megfontolás esetén kicseréli – a hibás alkatrészt.

Ez a garancia nem vonatkozik ipari jellegű használatra, továbbá általános jellegű kopásra, illetve a termék nem rendeltetésszerű használatából eredő meghibásodására.

*Regisztráljon az interneten 30 napon belül.

Feltételek és kizötések vonatkoznak.

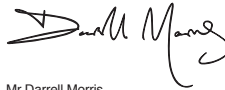
Nincs hatással a törvényben meghatározott jogaira.

Tanúsító testület: TÜV Rheinland Co., Ltd.

A műszaki dokumentációt tárolja: Triton

Dátum: 17/05/2017

Dátum:



Mr Darrell Morris

Igazgató

A gyártó neve és címe:

Powerbox International Limited, Company No. 06897059.

Registered address: Powerbox, Boundary Way, Lufton Trading Estate, Yeovil, Somerset, BA22 8HZ, United Kingdom.

Překlad originálního návodu

Úvod

Děkujeme za zakoupení výrobku Triton. Tento návod obsahuje nezbytné informace pro bezpečné používání a správnou funkci tohoto výrobku. Tento výrobek nabízí mnoho jedinečných funkcí. Je možné, že jste již s podobným výrobkem pracovali; přesto si důkladně přečtěte tento návod, abyste rozuměli pokynům. Ujistěte se, že všichni, kdo s výrobkem pracují, tento návod četli a porozuměli mu.

Použité symboly

Typový štítek na vašem nářadí může obsahovat symboly. Ty představují důležité informace o výrobku nebo pokyny k jeho použití.



Používejte chrániče sluchu
Používejte ochranné brýle
Používejte respirátory
Používejte ochrannou přilbu



Používejte ochranné rukavice



Přečtěte si návod



Odsávání prachu vyžadováno nebo doporučeno



Pouze pro použití uvnitř!



Nářadí vždy vypojte z elektrické sítě, pokud provádíte úpravy, měníte příslušenství, čistíte, provádíte údržbu a když nářadí nepoužíváte!



Třída ochrany II (dvojitá izolace pro vyšší ochranu)



OCHRANA ŽIVOTNÍHO PROSTŘEDÍ Nevyhazujte elektronářadí do domovního odpadu. Zařízení odevzdejte k recyklaci. V případě dotazů kontaktujte příslušný úřad nebo prodejce.



V souladu s příslušnou legislativou a bezpečnostními standardy.



Pozor!



Nebezpečné výpary nebo plyny!

Tabulka technických zkratek

V	volty
~, AC	střídavý proud
A, mA	ampér, miliampér
n _o	otáčky naprázdno
opm	oběhy nebo oscilace za minutu
Ø	průměr
Hz	hertz
W, kW	watt, kilowatt
/min nebo min ⁻¹	operace za minutu
rpm	otáčky za minutu
dB(A)	hladina akustického tlaku v decibelech (vážená)
m/s ²	metry za sekundu ² (velikost vibrací)

Technická data

Model	TSPSP650
Napětí	EU 230 V/240 V
Výkon	650 W
Otáčky naprázdno	1800–3200 min ⁻¹
Oscilace vřetene	50–90 oscilací za minutu
Výška oscilace	6,5 mm
Výška brusné objímky	76 mm (3")
Průměry brusných objímek	Ø13 mm, Ø19 mm, Ø26 mm, Ø38 mm (½", 1", 1 ½")
Třída ochrany	
Krytí	IP20
Délka přívodního kabelu	2 m (6')
Rozměry (D x Š x V)	262 x 84 x 261 mm
Hmotnost	2,2 kg (4,85 liber)
Údaje o hluku a vibracích	
Akustický tlak L _{PA}	86,4 dB(A)
Akustický výkon L _{WA}	97,4 dB(A)
Tolerance K	3 dB
Vážené vibrace a _h	4,874 m/s ²
Tolerance K	1,5 m/s ²
Pokud úroveň hluku dle použití elektronářadí překročí 85 dB(A), je třeba přijmout ochranná hluková opatření.	

Vzhledem k nepřetržitému vývoji výrobků Triton se technická data našich výrobků mohou měnit bez ohlášení.

VAROVÁNÍ: Pokud hladina hluku přesáhne 85 dB(A), vždy noste chrániče sluchu a omezte dobu práce s elektronářadím. Pokud se hladina hluku stane nepřijemnou, i s chrániči sluchu, ihned přestaňte nářadí používat. Zkontrolujte, zda mate chrániče sluchu správně připevněné, aby mohly poskytovat potřebné snížení hladiny hluku, které elektronářadí vydává.

VAROVÁNÍ: Vystavení se vibracím elektronářadím může způsobit ztrátu vědomí a dotyku, necitlivost rukou, mravenčení a/nebo omezenou schopnost uchopit. Dlouhodobé vystavení vibracím může obtížně změnit v chronický stav. Pokud je třeba, omezte čas, kdy jste vibracím vystaveni a používejte anti-vibrační rukavice. Elektronářadí nepoužívejte v prostředí s nižší než pokojovou teplotou, protože vibrace mohou mít větší efekt. Využijte hodnot uvedených v technických datech, abyste určili vhodnou délku práce a frekvenci práce s elektronářadím. Úroveň hluku a vibrací byla změněna podle měřicích metod normovaných v EN60745, příp. podobných mezinárodních standardů. Naměřené hodnoty odpovídají běžnému užítí elektronářadí v běžných pracovních podmínkách. Špatně udržované, nesprávně složené nebo špatně používané nářadí může vytvářet vyšší hladiny hluku i vibrací. www.osha.europa.eu nabízí informace o úrovni hluku a vibrací v pracovním prostředí; tyto informace mohou být užitečné pro hobby uživatele, kteří používají přístroj častěji.

Bezpečnostní opatření

UPOZORNĚNÍ: Přečtete si všechna bezpečnostní varování a instrukce. Neuposlechnutí následujících varování může způsobit úraz elektrickým proudem, požár a/nebo vážné poranění.

UPOZORNĚNÍ: Tento přístroj nesmí být používán osobami (včetně dětí) s tělesným nebo mentálním poškozením. Dále ho nesmí používat osoby s minimem zkušeností nebo znalostí, pokud na ně nedohlíží osoba zodpovědná za bezpečnost nebo jim nebyly předány instrukce k obsluze přístroje. Děti musí být seznámené s tím, že si s tímto přístrojem nesmí hrát.

Uchovávejte všechna varování a instrukce pro budoucí použití.

Výrazem "elektronářadí" zmiňovaných v bezpečnostních opatřeních se rozumí zařízení používané v elektrické síli (se síťovým kabelem) nebo zařízení, které využívá bateriový pohon (bez síťového kabelu).

1. Bezpečnostní pracovního místa

- Udržujte pracovní místo čisté a dobře osvětlené. Nepořádek nebo neosvětlené pracovní místo může vést k úrazům.
- Nepoužívejte elektronářadí v prostředí ohroženém explozí, kde se nacházejí hořlavé kapaliny, plyny nebo prach. Elektronářadí vytváří jiskry, které mohou prach nebo páry zapálit.
- Děti a jiné přihlížející osoby udržujte při použití elektronářadí daleko od pracovního místa. Při rozptýlení můžete ztratit kontrolu nad přístrojem.

2. Bezpečná práce s elektrickým

- Připojovací zástrčka elektronářadí musí odpovídat zásuvce. Zástrčka nesmí být žádným způsobem upravována. Společně s elektronářadím s ochranným uzemněním nepoužívejte žádné adaptérové zástrčky. Neupravené zástrčky a vhodné zásuvky snižují pravděpodobnost úrazu elektrickým proudem.
- Vyhnete se tělesnému kontaktu s uzemňujícími povrchy jako je potrubí, topná tělesa, sporky a chladničky. Je-li vaše tělo uzemněno, hrozí zvýšené riziko úrazu elektrickým proudem.
- Chraňte zařízení před deštěm a vlhkem. Vniknutí vody do elektronářadí zvyšuje nebezpečí úrazu elektrickým proudem.
- Dbejte na účel kabelu, nepoužívejte jej k nošení či zavěšení elektronářadí nebo k vytáhnutí zástrčky ze zásuvky. Udržujte kabel daleko od tepla, oleje, ostrých hran nebo pohyblivých dílů stroje. Poškozené nebo spletené kabely zvyšují riziko zásahu elektrickým proudem.
- Pokud pracujete s elektronářadím venku, použijte pouze takové prodlužovací kabely, které jsou způsobilé i pro venkovní použití. Použití prodlužovacího kabelu, jež je vhodný pro použití venku, snižuje riziko zásahu elektrickým proudem.
- Pokud se nelze vyhnout provozu elektronářadí ve vlhkém prostředí, použijte proudový chránič. Použití proudového chrániče snižuje riziko zásahu elektrickým proudem.

3. Osobní bezpečnost

- Buďte pozorní, dávejte pozor na to, co děláte, a přistupujte k práci s elektronářadím rozumně. Nepoužívejte žádné elektronářadí, pokud jste unaveni nebo pod vlivem drogy, alkoholu nebo léků. Moment nepozornosti při použití elektronářadí může vést k vážným poraněním.
- Noste osobní ochranné pomůcky a vždy ochranné brýle. Nošení osobních ochranných pomůcek jako je maska proti prachu, bezpečnostní obuv s protiskluzovou podrážkou, ochranná přilba nebo sluchátka, podle druhu použití elektronářadí, snižují riziko poranění.
- Zabraňte neúmyslnému uvedení do provozu. Přesvědčte se, že je elektronářadí vypnuté, dříve, než jej uchopíte, ponesete či připojíte na zdroj proudu a/nebo akumulátor. Máte-li při nošení elektronářadí prst na spínači, nebo pokud stroj připojíte ke zdroji proudu napáje, musíte dojit k úrazům.
- Než elektronářadí zapnete, odstraňte seřizovací nástroje nebo šroubováky. Nástroj nebo klíč, který se nachází v otáčivém dílu stroje, může vést k poranění.

- Zajistěte si bezpečný postoj a udržujte vždy rovnováhu. Tím můžete elektronářadí v neočekávaných situacích lépe kontrolovat.
 - Noste vhodný oděv. Nenoste žádný volný oděv nebo šperky. Vlasý, oděv a rukavice udržujte daleko od pohyblivých se dílů. Volný oděv, šperky nebo dlouhé vlasy mohou být zachyceny pohyblivými se díly.
 - Lze-li namontovat odsávací či zachycující přípravky, přesvědčte se, že jsou připojeny a správně použity. Použití odsávací prachu může snížit ohrožení prachem.
- Svědomitě zacházení a používání elektronářadí**
 - Přístroj nepřetěžujte. Pro svou práci použijte k tomu určené elektronářadí. S vhodným elektronářadím zvládnete práci lépe a bezpečněji.
 - Nepoužívejte žádné elektronářadí, jehož spínač nebo přívodní kabel je vadný. Elektronářadí, které nelze zapnout či vypnout, je nebezpečné a musí se opravit.
 - Než provedete seřízení stroje, výměnu dílů příslušenství nebo stroj odložíte, vytáhnete zástrčku ze zásuvky a/nebo odstraňte akumulátor. Toto preventivní opatření zabrání neúmyslnému zapnutí elektronářadí.
 - Uchovávejte nepoužívané elektronářadí mimo dosah dětí. Nenechte stroj používat osobám, které se strojem nejsou seznámeny nebo nechtěly tyto pokyny. Elektronářadí je nebezpečné, zejména používáno nezkušenými osobami.
 - Pečujte o elektronářadí svědomitě. Zkontrolujte, zda pohyblivé díly stroje bezvadně fungují a nevzpříčí se, zda díly nejsou zlomené nebo poškozené tak, že je omezena funkce elektronářadí. Poškozené díly nechte před opětovným použitím přístroje opravit. Mnoho úrazů má příčinu ve špatně udržovaném elektronářadí.
 - Řezné nástroje udržujte ostré a čisté. Pečlivě ošetřované řezné nástroje s ostrými řeznými hranami se méně vzpříčí a snadněji se vedou.
 - Používejte elektronářadí, příslušenství, nasazovací nástroje apod. podle těchto pokynů. Respektujte přitom pracovní podmínky a prováděnou činnost. Použití elektronářadí pro jiné než určené použití může vést k nebezpečným situacím.
 - Servis**
 - Nechte vaše elektronářadí opravit pouze certifikovaným odborným personálem a pouze s originálními náhradními díly. Tím bude zajištěno, že bezpečnost stroje zůstane zachována.

Bezpečnostní opatření při broušení

⚠ VAROVÁNÍ

- Držte elektrické nářadí pouze za izolovanou rukojeť nebo v určených místech pro držení, protože brusný list se může dotknout přívodního kabelu. Přerušení kabelu pod proudem by mohlo propojit elektrický proud na kovové díly nářadí a způsobit úraz elektrickým proudem.
 - Použijte upínky nebo jiným způsobem připevněte opracovávaný díl ke stabilní podložce. Držet obráběný díl rukou nebo přitlačit k podložce není stabilní a může vést ke ztrátě držení.
 - Důrazně se doporučuje, aby byl nástroj vždy používán s proudovým chráničem se jmenovitým zbytkovým proudem 30 mA nebo méně.
 - Pokud je třeba vyměnit přívodní kabel, musí to provést výrobce nebo prodejce, aby se předešlo bezpečnostnímu riziku.
- Vždy používejte vhodné ochranné pomůcky včetně protiprachové masky minimální stupně filtrace FFP2, ochranné brýle a prostředky na ochranu sluchu
 - Zajistěte, aby všechny osoby v blízkosti pracovního prostoru byly vybaveny vhodnými osobními ochrannými pomůckami
 - Dbejte zvláštní opatření při broušení dřeva (např. buk, dub, mahagon a teak), protože vznikající prach při broušení je toxický a může způsobit alergické reakce
 - NIKDY nezpracovávejte materiály obsahující azbest. Poradte se s kvalifikovaným odborníkem, pokud si nejste jisti, zda obrobek obsahuje azbest
 - Hořčík nebo slitiny s vysokým obsahem hořčíku nikdy nebruste
 - Buďte si vědomi toho, že materiály k broušení mohou být natřeny barvou nebo prostředky k ošetření povrchu. Mnoho těchto látek může vytvářet toxický prach nebo jiným způsobem škodlivé. Při práci v budovách postavených před rokem 1960 je zvýšené riziko výskytu barev na bázi olova
 - Prach vzniklý při broušení olovnatých barev je obzvlášť nebezpečný pro děti, těhotné ženy a osoby s vysokým krevním tlakem. NEDOVOLTE, aby tyto osoby pohybovaly v blízkosti pracovního prostoru, i když jsou vybaveny vhodnými osobními ochrannými prostředky
 - Kdykoliv je to možné, používejte k odsávání prachu a zplodin vysavač
 - Buďte zvláště opatrní při používání nářadí pro broušení jak dřeva, tak kovu. Jiskry při broušení kovu mohou snadno zapálit dřevěný prach. VŽDY pečlivě vyčistíte vaše nářadí, aby se snížilo riziko vzniku požáru

- j. Vyprázdněte nádobu nebo sáček na prach vícekrát během broušení, před přestávkou v práci a po skončení práce. Prach může způsobit nebezpečí výbuchu. *NEVHAZUJTE brusný prach do otevřeného ohně. Při styku prachových částic s částicemi oleje nebo vody může dojít k samovolnému vznícení. Likvidaci odpadů provádějte pečlivě a v souladu s místními zákony a předpisy.*

k. **Broušené plochy i brusný papír se mohou zahřát během procesu. Jestliže zjistíte známky hoření, kour nebo popel, přerušte práci a nechte materiál ochladit. NEDOTÝKEJTE se opracovávaného povrchu nebo brusného papíru, dokud nevychladne.**

l. **NEDOTÝKEJTE SE brusného papíru při chodu nářadí**

m. **VŽDY vypněte nářadí před odložením**

n. **NEPOUŽÍVEJTE pro broušení za mokra.** Částice kapaliny mohou vniknout do prostoru motoru a způsobit úraz elektrickým proudem

o. **VŽDY před výměnou brusného papíru odpojte brusku od elektrické sítě p. I když je tento nástroj používán, jak je předepsáno, není možné zamezit vzniku všech rizikových faktorů. Máte-li pochyby o bezpečném použití nářadí, nepoužívejte jej**

Popis dílů

1. Kolečko pro nastavení rychlosti otáček
2. Spínač
3. Otvory pro upevnění brusky ke stolu
4. Ventilací otvory motoru
5. Otvory bočního vodička
6. Napájecí kabel
7. Adaptér portu pro odsávání prachu (odnímatelný)
8. Brusná základna
9. Brusná objímka
10. Zámek vřetene
11. Podložka válce
12. Gumová madla
13. Svěrky pro upnutí ke stolu
14. Podložka pro upnutí ke stolu
15. Válec na brusnou objímku
16. Boční vodičko
17. Šrouby zajištění bočního vodička
18. Další brusné objímky/brusné válce

Doporučené použití

Kompaktní přenosná oscilační vřetevová bruska pro lehké broušení okrajů, vnitřních křivek nebo broušení pomocí šablón – lze ji použít jako ručně vedené nářadí i jako upnutou ke stolu.

Vybalení vašeho nářadí

- Nářadí opatrně vybalte a zkontrolujte. Seznamte se se všemi jeho vlastnostmi a funkcemi
- Ujistěte se, že v balení byly všechny díly a že jsou v pořádku. Pokud bude nějaký díl chybět nebo bude poškozen, nechte si tyto díly vyměnit předtím, než s nářadím začnete pracovat

Před použitím

VAROVÁNÍ: Ujistěte se, že nářadí je vypojeno z elektrické sítě, když připevňujete příslušenství nebo provádíte jiné úpravy.

Výběr odpovídající zrnitosti brusného objímky

- Brusné objímky jsou k dispozici v mnoha stupních zrnitosti: hrubá (60), střední (120) i jemná (240)
- Použijte brusnou objímku s hrubou zrnitostí na hrubě obroušené, střední na dosažení hladkého povrchu a jemnou na dokončovací práce
- Vždy používejte brusné objímky dobré kvality, aby se dosáhlo maximální kvality broušeného povrchu
- Doporučujeme provést zkoušku broušení na odpadním kusu materiálu pro stanovení optimální zrnitosti brusné objímky pro konkrétní úlohu. Pokud se na broušeném povrchu objevují stopy po broušení, zkuste buď znovu použít brusnou objímku s hrubší zrnitostí, než znovu použijete objímku s jemnější zrnitostí, nebo použijte novou brusnou objímku a odstraňte stopy po broušení, než přistoupíte k dokončení práce brusnou objímkou s jemnější zrnitostí

Upevnění brusné objímky

VAROVÁNÍ: Vždy se přesvědčte, že je bruska vypnutá a odpojená od elektrické sítě před nasazováním či snímáním brusných objímek.

Poznámka: NEPOUŽÍVEJTE opotřebenou, pothraně nebo silně zanesenou brusnou objímku. Ujistěte se, že cíz předměty, jako jsou hřebíky a šrouby, byly odstraněny z povrchu materiálu před začátkem broušení.

VAROVÁNÍ: NEPOUŽÍVEJTE brusné objímky použité již na broušení kovových povrchů na broušení dřeva. To může vést k odíráni broušeného dřevěného povrchu.

1. Odstraňte zámek vřetene (10) a podložku válce (11) (D)
2. Odstraňte válec na brusnou objímku (15)
3. Na válec nasadíte brusnou objímku (9) (A)
4. Válec znovu nasadíte na vřeteno (B)
5. Nasadíte podložku válce (C) a zámek vřetene utáhněte (D)

Poznámka: Schéma složení viz. obr. 1.

Odsávání prachu

VAROVÁNÍ: Vždy připojte brusku k vysavači nebo dilenskému odsávacímu systému v případě, že brusný prach obsahuje škodlivé látky, jako jsou částice starých nátěrů, laků, povrchové nátěry atd. Vždy se zbavte škodlivého prachu v souladu s právnem a správními předpisy.

VAROVÁNÍ: Zvlášť je nutno se chránit proti působení škodlivých a toxických prachů při broušení olivnatými barvami lakovaných povrchů, dřeva a kovů, a to zejména pokud není známé jejich složení. Všechny osoby vstupující do pracovního prostoru musí nosit masku speciálně navrženo pro ochranu proti toxickému prachu a výparům. Dětem a těhotným ženám není dovoleno do těchto pracovních prostorů vstupovat. Při práci nekonzumujte potraviny, nepijte a nekuřte.

- Tato bruska je určena pro připojení hadic k domácí vysavači nebo dilenskému odsávacímu systému. Toto je doporučováno jako nejúčinnější způsob odsávání prachu
- Nasuňte vhodnou hadici vysavače na port pro odsávání prachu (7)
- Jak odstranit adaptér portu pro odsávání prachu: otočte s ním port směru hodinových ručiček tak, aby výčnělky byly na úrovni zářezů na portu pro odsávání a pak ho odstraňte
- Jak nasadit adaptér portu pro odsávání prachu: nasadíte ho tak, aby výčnělky byly na úrovni zářezů na portu, pak adaptérem otočte po směru hodinových ručiček, tím se zajistí v pozici (E)

VAROVÁNÍ: Pokud brousíte kov, vždy brusku připojte k vhodnému dilenskému systému pro odsávání prachu. Vždy, když brousíte dřevo a pak kov a naopak, je třeba brusku DÚKLADNĚ vyčistit.

Poznámka: K této brusce není dodáván sáček na odsávání prachu, protože tato bruska vyžaduje použití systému pro odsávání prachu, aby došlo k účinnému odsávání prachu. Použití jiného sáčku na prach není efektivní metoda odsávání prachu a tento postup nedoporučujeme.

Pokyny pro použití

VAROVÁNÍ: Při práci s tímto nářadím VŽDY používejte odpovídající ochranné pomůcky, včetně ochrany očí, dýchacích cest, chrániče sluchu a vhodné rukavice.

VAROVÁNÍ: Nedotýkejte se brusnéobjímky (9) při chodu brusky.

Poznámka: Vždy zajištěte upevnění opracovávaného materiálu k pracovnímu stolu, pokud je to možné.

VAROVÁNÍ: NIKDY nedovolte úplné opotřebení brusné objímky před výměnou. Nedodržení těchto preventivních opatření může vést k poškození válce na brusnou objímku (15), což vede k problémům s řádným upevněním brusné objímky na válec.

Zapnutí a vypnutí

VAROVÁNÍ: Nezapínajte brusku, když je brusná objímka (9) v kontaktu s materiálem nebo jiným povrchem. Může dojít k tomu, že operátor ztratí kontrolu nad nářadím a může dojít k vážnému úrazu.

1. Připojte brusku k elektrické síti
2. Abyste brusku zapnuli, stlačte spínač (2) do pozice „I“
3. Abyste brusku vypnuli, stlačte spínač do pozice „O“

VAROVÁNÍ: Před odložením brusky vyčkejte do úplného zastavení nářadí. Vždy odpojte nářadí z elektrické sítě.

Nastavení rychlosti nářadí

VAROVÁNÍ: Nikdy nepoužívejte příslušenství k válcí na brusnou objímku (15), které specifikaci otáček neodpovídá maximálním otáčkám brusky (viz Technická data).

- Bruska je vybavena regulací otáček, které vám umožní použít celou řadu příslušenství pro práci s různými materiály, opracovávanými díly a předměty.

Poznámka: Kolečko pro nastavení rychlosti otáček (1) je možné použít, když je bruska zapnutá i vypnutá. Pokud nastavíte rychlost otáček na „1“, bude rychlost otáček bez zatížení 1800 za minutu, pokud rychlost otáček nastavíte na „6“, maximální rychlost bez zatížení bude 3200 za minutu.

- Pro nastavení rychlosti pootoče kolečkem do požadované polohy
- Rozsah rychlosti je od 1 do 6 – 1 je nejnižší rychlost, 6 je nejvyšší
- V případě pochybnosti o správném nastavení otáček pro broušení lze začít s nízkými otáčkami a po odzkoušení nastavit správnou hodnotu otáček

Broušení okraje

- Přenosná vřetenová bruska je vhodná pro broušení okrajů různých plochých materiálů (F)
 - Vždy zkontrolujte, že opracováváný materiál je zajištěn a pokud je třeba, použijte svěrky
 - Boční vodítko (16) je možné k brusce přichytit, pokud je to třeba (J). Přichyťte boční vodítko k brusce a zajištěte ho v pozici pomocí šroubů zajištění bočního vodítka (17) (obr. II)
1. Umístěte brusku tak, že brusná základna leží na opracovávaném materiálu a brusná objímka (9) směřuje dolů. Zkontrolujte, že je pod brusnou dostatek místa pro pohyb vřetene nahoru a dolů
 2. Nejříve spusťte odsávací systém (pokud ho máte připojený) a pak zapněte brusku
 3. Je lepší provádět více kratších pohybů po okraji materiálu než méně delších
 4. Nechejte brusku, aby sama odvedla práci – brusku netlačte proti materiálu, nevyvíjejte přílišný tlak; mohlo by dojít k poškození materiálu i nářadí anebo dokonce ke zranění

Poznámka: Pokud používáte boční vodítko, vždy začínejte brousit z rohu nebo okraje materiálu. Nejříve vedte nářadí proti materiálu a postupně navedte brusku na materiál.

Broušení s bruskou upnutou ke stolu v obrácené poloze

VAROVÁNÍ: Než budete brusku upínat ke stolu, vždy se ujistěte, že je vypnutá a kabel je vytážen z elektrické sítě.

- Přenosná vřetenová bruska je vhodná pro broušení okrajů různých materiálů, pokud je bezpečně upnutá v obrácené poloze ke stolu (G)
1. Na okraj stabilního pracovního stolu položte podložku pro upnutí ke stolu (14)
 2. Brusku položte v obrácené poloze na podložku a přichyťte k pracovnímu stolu pomocí svěrek pro upnutí ke stolu (13) – ujistěte se, že je bruska bezpečně přichycená k pracovnímu stolu tím, že utáhnete křídlové matice na svěrkách
 3. Hadici odsávacího systému připojte k adaptéru portu pro odsávání prachu (pokud je třeba prach odsávat)

Poznámka: Vždy, když je bruska upnutá v obrácené poloze, je vhodné používat odsávání prachu

4. Na kolečku pro nastavení rychlosti otáček (1) zvolte vhodnou rychlost
5. Nejříve spusťte odsávací systém (pokud ho máte připojený) a pak zapněte brusku
6. Brusnou základnu (8) použijte jako pracovní stůl pro stabilizaci opracovávaného materiálu
7. Nechejte brusku, aby sama odvedla práci – brusku netlačte proti materiálu, nevyvíjejte přílišný tlak; mohlo by dojít k poškození materiálu i nářadí anebo dokonce ke zranění

Doporučení pro broušení

- Pokud je bruska připojena k odsávacímu systému, zapněte nejříve odsávání a potom zapněte brusku
- Upevněte opracováváný díl na pracovní stůl, pokud je to možné. Zajistěte, aby se broušený díl při broušení nemohl posunout

VAROVÁNÍ: Nadměrný přitlak nevede k rychlejšímu úběru materiálu; to může způsobit předčasné opotřebení brusné objímky (9) a následné poškození nářadí. Brusný výkon a kvalita závěsí především na volbě správných brusných objímek (viz. "Vyběr odpovídající zrnitosti brusné objímky").

Broušení kovových povrchů

VAROVÁNÍ: Při broušení kovových povrchů je třeba dbát následujících opatření.

- VŽDY připojte brusku pomocí odpovídajícího chráněného kabelu
- VŽDY připojte brusku k dilenskému odsávání prachu
- Před broušením kovových povrchů pečlivě vyčistěte nářadí

VAROVÁNÍ: Horké kovové částice mohou vznítit zbytky dřevěného prachu. Vždy důkladně vyčistěte nářadí při přechodu z broušení dřeva na broušení kovů a naopak.

- Brusná objímka použitá nejříve pro broušení kovového povrchu by neměla být použita pro broušení dřeva. Zbytky kovových částic mohou vest k poškrábání a zničení povrchu materiálu.

Příslušenství

- Řada příslušenství, včetně brusných objímek s různou zrnitostí, jsou k dispozici u vašeho prodejce Triton. Pro vlastní bezpečí používejte pouze originální příslušenství TRITON. Náhradní díly mohou být objednány buď u dealera TRITON nebo online na www.toolsparesonline.com

Údržba

VAROVÁNÍ: Před prováděním údržby nebo čištění nářadí vždy odpojte nářadí od elektrické sítě.

- Nářadí je vyrobeno z komponentů nejvyšší kvality a využívá nejnovější technologie, která chrání nářadí a jeho součásti. Při normálním používání by měla být zajištěna dlouhá životnost

Celková kontrola

- Pravidelně kontrolujte, zda jsou všechny šrouby pevně utažené. V průběhu provozu se mohou vibracemi uvolnit
- Zkontrolujte před každým použitím, zda není napájecí kabel nástroje poškozen nebo opotřeben. Oprava by měla být provedena v certifikovaném servisním středisku Triton. Doporučení platí i pro prodlužovací kabely použité s bruskou

Mazání

- Promazávejte všechny pohyblivé části vhodným mazacím sprejem v doporučených intervalech mazání

Čištění

VAROVÁNÍ: VŽDY používejte ochranné prostředky včetně ochrany očí a rukavic při čištění tohoto nářadí.

- Udržujte nářadí po celou dobu používání v čistotě. Špína a prach mohou rychle způsobit zanesení vnitřních částí a zkrátit životnost nářadí
- Čistěte těleso brusky měkkým kartáčem nebo suchým hadříkem
- Nikdy nepoužívejte chemická činidla k čištění plastových dílů. Pokud je očistění nedostatečné, doporučuje se použít sapónat na vlhké utěrce
- Voda nesmí nikdy přijít do kontaktu s nářadím
- Ujistěte se, že nářadí je pečlivě vysušeno před použitím
- Profokněte ventilační otvory nářadí stlačeným vzduchem, pokud je k dispozici

Povrch válce na brusnou objímku

- Povrch válce na brusnou objímku potřebuje být čistý bez špíny a jiného materiálu jako jsou vlny, vlákná, písek atd.
- Povrch válce musí být v dobrém stavu, aby byla zajištěna dostatečná přilnavost pro uchycení
- Při dlouhodobém používání nářadí se deformuje povrch válce a válec nemá dostatečný průměr pro upevnění brusných objímek

Poznámka: Válec na brusné objímky nejsou součástí záruky. Náhradní válec můžete zakoupit prostřednictvím kteréhokoliv certifikovaného servisního střediska Triton.

Čištění portu pro odsávání prachu

- Přiležitostně může být potřeba uvolnit nebo vyčistit port pro odsávání prachu a kanál odvodu prachu

1. Abyste mohli port a kanál vyčistit, je nejříve třeba odstranit válec na brusnou objímku (15) (viz. „Upevnění brusné objímky“)
2. Použijte šroubovák (není součástí balení), odšroubujte šroub na brusné základně (8) a základnu odstraňte. Dejte pozor, abyste neuvolnili podložky pod brusnou základnu v otvorech na šrouby (H)
3. Ze základny odstraňte kovovou desku, abyste se dostali ke kanálu pro odvod prachu (I)
4. Vyčistěte vnitřní kanál, port pro odsávání prachu a prostor pod řemenem – nejříve štětkem a pak pomocí kompresoru
5. Po vyčistění znovu připevněte brusnou základnu a šrouby utáhněte
6. Nasadte válec na brusnou objímku

VAROVÁNÍ: Po vyčistění zkontrolujte, že jsou všechny podložky, šrouby a matice na místě a utažené, než znovu budete brusku používat. Pokud při práci bruska vydává zvláštní zvuky nebo příliš vibruje, PŘESTAŇTE brusku používat a vypněte ji z elektrické sítě. Znovu postupujte dle pokynů výše a zkontrolujte, že všechny části byly umístěny správně. Pokud vibrace a zvuky přetrvávají, konzultujte problem s certifikovaným servisním střediskem Triton.

Likvidace

Vždy dbejte místních zákonů, pokud potřebujete přístroj zlikvidovat, protože již nefunguje a není možné ho opravit.

- Nevyhazujte elektronářadí nebo jiný elektroodpad (WEEE) do domovního odpadu
- V případě dotazů kontaktujte příslušný úřad pro bližší informace o likvidaci elektrozařízení

Řešení problémů

Problém	Možná příčina	Řešení
Nářadí se nezapne, i když spínač (2) je funkční	Nezapojeno do elektřiny	Zkontrolujte přívod elektřiny
	Vadný spínač	Nechte vyměnit spínač v certifikovaném servisním středisku Triton
Motor se střídavě rozbíhá a vypíná, ztrácí výkon, jiskří nebo je cítit spálenina	Opotřebované uhlíky	Nechajte si vyměnit uhlíky v certifikovaném servisním středisku Triton
Motor běží, spínač (2) je funkční ale nářadí nebrousí	Převodovka není v chodu	Kontaktujte certifikované servisní středisko Triton
Pomalý úběr materiálu	Brusná objímka je příliš jemná nebo opotřebovaná	Nasadte novou brusnou objímku s hrubší zrnitostí
	Otáčky jsou příliš nízké	Zvyšte otáčky
Rýhy na povrchu obrobku po broušení	Brusná objímka je příliš hrubá	Nasadte brusnou objímku s jemnější zrnitostí
	Malá vrstva odebraného materiálu	Pokračujte v broušení
Stopy po vypálení na obrobku	Brusná objímka není vhodná pro broušený materiál	Nasadte vhodnou brusnou objímku
	Otáčky jsou příliš vysoké	Snižte otáčky
	Příliš velký tlak při broušení	Snižte přítak při broušícím pohybu
Nadměrná prašnost při broušení	Nepřipojené odsávání nebo odsávání není v provozu	Zkontrolujte připojení sací hadice, adaptéru portu pro odsávání prachu (7) (pokud je používán) a zda je odsávání zapnuté
	Odsávání nepracuje; odvod prachu je blokováno	Zkontrolujte odsávací systém, vyčistěte odsávání prachu (viz „Čištění portu pro odsávání prachu“). Pokud problém přetrvává, kontaktujte certifikované servisní středisko Triton

Záruka

Pro registraci záruky navštivte naše webové stránky www.tritontools.com* a zadejte informace o výrobku. Vaše údaje budou uloženy (pokud tuto možnost nezakážete) a budou vám zaslány novinky. Vaše údaje neposkytneme žádné třetí straně.

Záznam o nákupu

Datum pořízení: ___ / ___ / ___

Model: **TSPSP650**
Kupní doklad uschovejte jako potvrzení zakoupení výrobku

CE Prohlášení o shodě

Niže podepsaný: pan Darrell Morris

zplnomocněný: Triton

prohlašuje, že Toto prohlášení bylo vydáno na výhradní odpovědnost výrobce. Předmět tohoto prohlášení je v souladu s příslušnou harmonizační legislativou Unie.

Výrobek číslo: 949538

Popis: Přenosná oscilační vřetenová bruska, 650 W

Byl uveden na trh ve shodě se základními požadavky a příslušnými ustanoveními následujících směrnic:

- Směrnice o bezpečnosti strojních zařízení 2006/42/EC
- Směrnice o technických požadavcích na výrobky z hlediska jejich elektromagnetické kompatibility 2014/30/EC
- Směrnice RoHS 2011/65/EU
- EN 60745-1:2009+A11:2010
- EN ISO 12100:2010
- EN 55014-1:2006+A2:2011
- EN 55014-2:2015
- EN 61000-3-2:2014
- EN 61000-3-3:2013

Pokud se během 3-letá ode dne nákupu objeví závada výrobku společnosti Triton Precision Power Tools, která byla způsobena vadou materiálu nebo vadným zpracováním, Triton opraví nebo vymění vadný díl zdarma.

Tato záruka se nevztahuje na výrobky, které budou používány pro komerční účely, a dále na poškození, které je způsobeno neodborným použitím nebo mechanickým poškozením výrobku.

* Registrojte se během 30 dní od nákupu.

Změna podmínek vyhrazena.

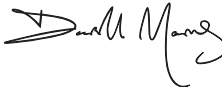
Těmito podmínkami nejsou dotčena vaše zákonná práva.

Notifikovaná osoba: TÜV Rheinland Co., Ltd.

Technická dokumentace je uložena u: Triton

Datum: 17/05/2017

Podpis:



Mr Darrell Morris

Výkonný ředitel

Jméno a adresa výrobce:

Powerbox International Limited, Company No. 06897059.

Registrovaná adresa: Powerbox, Boundary Way, Luton Trading Estate,

Yeovil, Somerset, BA22 8HZ, United Kingdom.

Preklad originálneho návodu

Úvod

Ďakujeme za zakúpenie výrobku Triton. tento manuál obsahuje informácie nutné k bezpečnému používaniu a správnejmu fungovaniu tohto výrobku. Tento výrobok ponúka mnoho jedinečných funkcií. Je možné, že ste už s podobným výrobkom pracovali, napriek tomu si však prečítajte tento manuál, aby ste naplno pochopili všetky inštrukcie. Uistite sa, že každý, kto s výrobkom pracuje, si tento manuál prečítal a porozumel mu.

Použitie symboly

Typový štítok na vašom náradí môže obsahovať symboly. Tie predstavujú dôležité informácie o výrobku alebo pokyny na jeho použitie.



Používajte chrániče sluchu
Používajte ochranné okuliare
Používajte respirátory
Používajte ochranu hlavy



Používajte ochranné rukavice



Prečítajte si návod



Vyžaduje alebo sa odporúča odsávanie prachu



Výhradne na vnútorné použitie!



Náradie vždy vypojte z elektrickej siete, ak vykonávate úpravy, meníte príslušenstvo, čistíte, vykonávate údržbu a keď náradie nepoužívate!



Trieda ochrany II (dvojitá izolácia pre väčšiu ochranu)



Ochrana životného prostredia Nevyhadzujte elektronáradie do domového odpadu. Zariadenie odovzdajte na recykláciu. V prípade otázok kontaktujte príslušný úrad alebo predajcu.



V súlade s príslušnou legislatívou a bezpečnostnými štandardmi.



Pozor!



Nebezpečné výpary alebo plyny!

Tabuľka technických skratiek

V	voly
~, AC	striedavý prúd
A, mA	ampér, miliampér
n ₀	otáčky naprázdno
opm	obehy alebo oscilácie za minútu
Ø	priemer
Hz	hertz
W, kW	watt, kilowatt
/min alebo min ⁻¹	operácie za minútu
rpm	otáčky za minútu
dB(A)	hladina akustického tlaku v decibeloch (vážená)
m/s ²	metre za sekundu ² (veľkosť vibrácií)

Technické informácie

Model	TSPSP650
Napätie	EU 230 V/240V
Výkon	650 W
Otáčky naprázdno	1800–3200 min ⁻¹
Oscilácie vretena	50–90 oscilácií za minútu
Výška oscilácie	6,5mm
Výška brúsne objímky	76 mm (3")
Priemery brúsnych objímok	Ø13mm, Ø19mm, Ø26mm, Ø38mm (3/4", 1", 1 1/2")
Trieda ochrany	
Krytie	IP20
Dĺžka privádzneho kábla	2 m (6')
Rozmery (D x Š x V)	262 x 84 x 261mm
Hmotnosť	2,2 kg (4,85 lbier)
Údaje o hluku a vibráciách	
Akustický tlak L _{pa}	86.4dB(A)
Akustický výkon L _{wa}	97.4dB(A)
Tolerancia K	3dB
Vážené vibrácie a _h	4.874m/s ²
Tolerancia K	1.5m/s ²
Pokiaľ úroveň hluku podľa použitého elektronáradia prekročí 85 dB(A), je treba prijať ochranné protihlukové opatrenia.	

Vzhľadom k nepretržitému vývoju výrobkov Triton sa technické dáta našich výrobkov môžu meniť bez ohlásenia.

VAROVANIE: Ak hladina hluku presiahne 85 dB(A), vždy noste chrániče sluchu a obmedzte dobu práce s elektronáradiťmi. Pokiaľ sa hladina hluku stane neprijemnou aj s chráničmi sluchu, ihneď prestaňte náradie používať. Skontrolujte, či máte chrániče sluchu správne pripevnené, aby mohli poskytovať potrebné zníženie hladiny hluku, ktoré elektronáradie vydáva.

VAROVANIE: Vystavenie sa vibráciami elektronáradia môže spôsobiť stratu vnímania dotyku, necitlivosť rúk, mravčenie alebo obmedzenú schopnosť úchopu. Dlhodobé vystavenie sa vibráciám môže tieto problémy zmeniť na chronický stav. Ak je treba, obmedzte čas, kedy ste vibráciami vystavení a používajte bežnú vibráciu rúkavice. Elektronáradie nepoužívajte v prostredí s teplotou nižšou než je izbová teplota, pretože vibrácie môžu mať väčší efekt. Využite hodnoty uvedené v technických informáciách, aby ste určili vhodnú dobu práce a frekvenciu práce s elektronáradím.

Uroveň hluku a vibrácií bola zmeraená podľa meracích metód normovaných v EN60745, príj. podobných medzinárodných štandardov. Namerané hodnoty zodpovedajú bežnému používaniu elektronáradia v bežných pracovných podmienkach. Nevhodne udržiavané, nesprávne zvolené alebo nesprávne používané náradie môže vytvárať vyššie hladiny hluku a vibrácií.

www.osha.europa.eu ponúka informácie o úrovni hluku a vibrácií v pracovnom prostredí; tieto informácie môžu byť užitočné pre hobby používateľov, ktorí používajú prístroj častejšie.

Bezpečnostní opatření

UPOZORNĚNÍ: Prečítajte si všetky bezpečnostné varovania a inštrukcie. Neuposledňujte nasledujúcich varovaní môže spôsobiť úraz elektrickým prúdom, požiar alebo vážne poranenie!

UPOZORNĚNÍ: Tento prístroj nesmie byť používaný osobami (vrátane detí) s telesným alebo mentálnym postihnutím. Ďalej ho nesmú používať osoby, ktoré majú nedostatok skúseností a znalostí, pokiaľ na ne nedohliada osoba zodpovedná za bezpečnosť alebo pokiaľ im neboli odovzdané inštrukcie na obsluhuovanie zariadenia. Deti musia byť oboznámené s faktom, že sa s týmito prístrojom nesmú hrať.

Uchovajte všetky varovania a inštrukcie pre budúce používanie.

Pod výrazom „elektronáradie“ používaným v bezpečnostných opatreniach sa rozumie zariadenie zapojené do elektrickej siete (sieťovým káblom) alebo zariadenie, ktoré využíva batériový pohon (bez sieťového kábla).

1. Bezpečnosť pracovného miesta

- Udržujte pracovné miesto čisté a dobre osvetlené.** Neporiadok nebo neosvetlené pracovné miesto môže viesť k úrazům.
- Nepoužívajte elektronáradí v prostredí ohrozeném explózi, kde se nacházejí hořlavé kapaliny, plyny nebo prach.** Elektronáradí vytváří jiskry, které mohou prach nebo páry zapálit.
- Deti a jiné přihlížející osoby udržujte při použití elektronáradí daleko od pracovního místa.** Při rozptýlení můžete ztratit kontrolu nad přístrojem.

2. Bezpečná práce s elektrinou

- Pripojovací zástrčka elektronáradí musí odpovídat zásuvke. Zástrčka nesmí byť žiadnym spôsobom upravená.** Spoločné s elektronáradím si ochranným uzemnením nepoužívajte žiadne adaptérové zástrčky. Neupravené zástrčky a vhodné zásuvky snižujú pravdepodobnosť úrazu elektrickým prúdom.
- Vyhnete se tělesnému kontaktu s uzemňovacími povrchy jako je potrubí, topná tělesa, spárky a chladničky. Je-li vaše tělo uzemněno, hrozí zvýšené riziko úrazu elektrickým prúdom.**
- Chraňte zařízení před deštěm a vlhkem. Vniknutí vody do elektronáradí zvyšuje nebezpečí úrazu elektrickým prúdom.**
- Dbejte na účel kabelu, nepoužívajte jej k nošeniu či zaväseniu elektronáradí nebo k vytáženiu zástrčky ze zásuvky. Udržujte kábel daleko od tepla, oleje, ostrých hran nebo pohyblivých diílů stroje. Poškozené nebo spálené kábel zvyšujú riziko zásahu elektrickým prúdom.**
- Pokud pracujete s elektronáradím venku, použijte pouze takové prodlužovací kabely, které jsou způsobilé i pro venkovní použití. Použití prodlužovacího kabelu, jež je vhodný pro použití venku, snižuje riziko zásahu elektrickým prúdom.**
- Pokud se nelze vyhnout provozu elektronáradí ve vlhkém prostředí, použijte proudový chránič. Použití proudového chrániče snižuje riziko zásahu elektrickým prúdom.**

3. Osobní bezpečnost

- Buďte pozorní, dávajte pozor na to, čo děláte, a přistupujte k práci s elektronáradím rozumně. Nepoužívajte žiadne elektronáradie, pokud jste unaveni nebo pod vlivem drog, alkoholu nebo léků. Moment nepozornosti při použití elektronáradí může vést k vážným poraněním.**
- Noste osobní ochranné pomůcky a vždy ochranné brýle. Nošení osobních ochranných pomůcek jako je maska proti prachu, bezpečnostní obuv s protiskluzovou podrážkou, ochranná přilba nebo sluchátka, podle druhu použití elektronáradí, snižují riziko poranění.**
- Zabraňte neúmyslnému uvedení do provozu. Přesvědčte se, že je elektronáradí vypnuté, dříve, než jej uchopíte, poneseť či připojíte na zdroj proudu a/nebo akumulátor. Máte-li při nošení elektronáradí prst na spínači, nebo pokud stroj připojíte ke zdroji proudu zapnutý, může dojít k úrazům.**
- Než elektronáradí zapnete, odstraňte seřizovací nástroje nebo šroubováky. Nástroj nebo klíč, který se nachází v otáčivém dílu stroje, může vést k poranění.**
- Zajistěte si bezpečný postoj a udržte vždy rovnováhu. Tím můžete elektronáradí v neocčekávaných situacích lépe kontrolovat.**

- Noste vhodný oděv. Nenoste žádný volný oděv nebo šperky. Vlasy, oděv a rukavice udržujte daleko od pohyblivých se dílů. Vlasy, oděv, šperky nebo dlouhé vlasy mohou být zachyceny pohyblivými díly.**
- Lze-li namontovat odsávací či zachycující přípravky, přesvědčte se, že jsou připojeny a správně použity. Použití odsávací prachu může snižt ohrožení prachem.**

4. Svědomitě zacházení a používání elektronáradí

- Přístroj nepřetěžujte. Pro svou práci použijte k tomu určené elektronáradí. S vhodným elektronáradím zvládnete práci lépe a bezpečněji.**
- Nepoužívajte žádné elektronáradí, jehož spínač nebo přívodní kabel je vadný. Elektronáradí, které nelze zapnout či vypnout, je nebezpečné a musí se opravit.**
- Kým vykonáte zostavenie stroja, výměnu dielov príslušenstva alebo stroj odložíte, vytiahnite zástrčku do zásuvky a/alebo odstráňte akumulátor. Toto preventívne opatrenie zabráni neúmyslnému zapnutiu elektronáradia.**
- Nepoužívajte elektronáradie uchovávajúce mimo dosah detí. Stroj nedovoľte používať osobám, ktoré so strojom nie sú oboznámené alebo nečítali tieto pokyny. Elektronáradie je nebezpečné, ak je používané nekuskými osobami.**
- Svedomite sa o elektronáradie starajte. Skontrolujte, či pohyblivé diely stroja fungujú bezchybne a nie sú vzpričené, či diely nie sú zlomené alebo poškodené tak, že je obmedzená funkcia elektronáradia. Poškodené diely nechajte pre opätovným použitím prístroja opraviť. Mnoho úrazov je zapríčinených zlou údržbou elektronáradia.**
- Řezné nástroje udržujte ostré a čisté. Pečlivě ošetřované řezné nástroje s ostrými řeznými hranami se méně vzpíchnou a snadněji se vedou.**
- Používajte elektronáradí, príslušenstva, nasazovací nástroje apod. podľa týchto pokynov. Respektujte prítom pracovné podmienky a prováděnou činnost. Použití elektronáradí pro jiné než určené použití může vést k nebezpečným situacím.**

5. Servis

- Svoje elektronáradie nechávajúce opraviť výhradne certifikovaným odborným personálom za použitia výhradne originálnych náhradných dielov. Tým bude zaistené, že bezpečnosť stroja zostane zachovaná.**

Bezpečnostné opatrenia pri brúsení

⚠ VAROVANIE

- Náradie držte iba za izolované rukoväte a povrchy, ak vykonávate prácu, pri ktorej by náradia mohli prísť do kontaktu s vlastným prívodným káblom. Prerezanie "živého" kábla môže spôsobiť, že kovové časti elektrického náradia sa stanú tiež "živými" a môžu spôsobiť pracovníkovi úraz elektrickým prúdom**
 - Používajte svorky alebo iné spôsoby, ako materiál zaistiť a správne podprieť. Ak budete materiál držať iba rukou alebo ho opierať o svoje telo, môže dôjsť k strate kontroly nad náradím.**
 - Ak je potrebné vymeniť prívodný kábel, musí to vykonať výrobca alebo predajca, aby sa predišlo bezpečnostnému riziku.**
 - Dôrazne sa odporúča, aby bol nástroj vždy používaný s prúdovým chráničom s menovitým zvyškovým prúdom 30 mA alebo menej.**
- Vždy používajte vhodné ochranné pomôcky vrátane protiprachovej masky s minimálnym stupňom filtrácie FFP2, ochranné okuliare a prostriedky na ochranu sluchu**
 - Zaistite, aby všetky osoby v blízkosti pracovného priestoru boli vybavené vhodnými osobnými ochrannými pomôckami**
 - Dbajte zvlášť na opatrnosti pri brúsení dreva (napr. buk, dub, mahagón a teak), pretože vznikajúci prach pri brúsení je toxický a môže spôsobiť alergické reakcie**
 - NIKDY nespracovávajte materiály obsahujúce azbest. Poradte sa s kvalifikovaným odborníkom, ak si nie ste istí, či výrobok obsahuje azbest**
 - Horčík alebo zliatiny s vysokým obsahom horčíku nikdy nebrúste**
 - Buďte si vedomí toho, že materiály k brúseniu môžu byť natreté farbou alebo prostriedkami k ošetroniu povrchu. Mnoho týchto látok môže vytvárať toxický prach, alebo byť iným spôsobom škodlivé. Pri práci v budovách postavených pred rokom 1960 je zvýšené riziko výskytu farieb na báze olova**
 - Prach vznikajúci pri brúsení olivnatých farieb je obzvlášť nebezpečný pre deti, tehotné ženy a osoby s vysokým krvným tlakom. **NEDOVOLTE**, aby sa tieto osoby pohybovali v blízkosti pracovného priestoru, ak keď sú vybavené vhodnými osobnými ochrannými prostriedkami**
 - Kedkoľvek je to možné, používajte k odsávaniu prachu a spodín vysávač**
 - Buďte zvlášť opatrní pri používaní náradia pri brúsení dreva i kovu. Iskry pri brúsení kovov môžu ľahko zapáliť drevený prach. **VŽDY** dôkladne vyčistite vaše náradie, aby sa znížilo riziko vzniku požiaru**

- j) **Vyprázdnite nádobu alebo vrecko na prach viackrát počas brúsenia, pred prestávkou v práci a po skončení práce. Prach môže spôsobiť nebezpečenstvo výbuchu. NEVHADZUJTE brúsny prach do otvoreného ohňa. Pri styku prachových častíc s časticami oleja vo vode môže dôjsť k samovoľnému vznieteniu. Likvidáciu odpadov vykonávajte starostlivo a v súlade s miestnymi zákonmi a predpismi.**
- k) **Brúsené plochy i brúsny papier sa môžu zahriať počas procesu. Ak zistíte známky horenia, dym alebo popol, prerušte prácu a nechajte materiál ochladieť. NEDOTÝKAJTE sa opracovávaného povrchu, alebo brúsneho papiera, dokiaľ nevychladne.**
- l) **NEDOTÝKAJTE SA brúsneho papiera pri chode náradia**
- m) **VÝZDY vypnite nástroj pred odložením**
- n) **NEPOUŽÍVAJTE na brúsenie za mokra. Častice kvapaliny môžu vniknúť do priestoru motora a spôsobiť úraz elektrickým prúdom**
- o) **VÝZDY pred výmenou brúsneho papiera odpojte brúsku z elektrickej siete**
- p) **Aj keď je tento nástroj používaný ako je predpísané, nie je možné zamedziť vzniku všetkých rizikových faktorov. Ak máte pochybnosti o bezpečnom použití náradia, nepoužívajte ho**

Popis dielov

- Kolesko pre nastavenie rýchlosti otáčok
- Spínač
- Otvory pre upevnenie brúsky k stolu
- Ventilačné otvory motora
- Otvory bočného vodiťka
- Napájací kábel
- Adaptér portu pre odsávanie prachu (odnímateľný)
- Brúsna základňa
- Brúsna objímka
- Zámok vretena
- Podložka valec
- Gumová madlá
- Zvierky pre upnutie k stolu
- Podložka pre upnutie k stolu
- Valec na brúsnu objímku
- Bočné vodiťko
- Skrutky zabezpečenie bočného vodiťka
- Ďalšie brúsne objímky/brúsne valce

Odporúčané použitie

Kompaktná prenosná oscilačná vretenová brúska pre ľahké brúsenie okrajov, vnútorných kriviek alebo brúsenie pomocou šablón - možno ju použiť ako ručné vedené náradie i ako upnutú k stolu.

Vybalenie vášho náradia

- Náradie opatrne vybalte a skontrolujte. Oboznámte sa so všetkými jeho vlastnosťami a funkciami.
- Uistite sa, že v balení boli všetky diely a že sú v poriadku. Pokiaľ by niektorý diel chýbal alebo bol poškodený, nechať si tento diel vymeniť pred tým, než s náradím začnete pracovať.

Pred použitím

VAROVANIE: Uistite sa, že náradie je vypojené z elektrickej siete, keď pripojujete prístupnosť alebo vykonávate iné úpravy.

Výber zodpovedajúce zrnitosti brúsne objímky

- Brúsne objímky sú k dispozícii v mnohých stupňoch zrnitosti: hrubá (60), stredná (120) aj jemná (240)
- Použite brúsnu objímku s hrubou zrnitosťou na hrubé obrúsenie, stredné na dosiahnutie hladkého povrchu a jemnú na dokončovacie práce
- Vždy používajte brúsne objímky dobrej kvality, aby sa dosiahlo maximálnej kvality brúsneho povrchu
- Odporúčame vykonať skúšku brúsenia na odpadovom kusu materiálu pre stanovenie optimálnej zrnitosti brúsne objímky pre konkrétnu úlohu. Ak sa na brúsenom povrchu objavujú stopy po brúsení, skúste buď znovu použiť brúsnu objímku s hrubšou zrnitosťou, než znovu použijete objímku s jemnejšou zrnitosťou, alebo použite novú brúsnu objímku a odstráňte stopy po brúsení, než pristúpite k dokončeniu práce brúsnu objímku s jemnejšou zrnitosťou

Upevnenie brúsne objímky

VAROVANIE: Vždy sa presvedčte, že je brúska vypnutá a odpojená od elektrickej siete pred nasadzovaním či snímaním brúsnych objímok.

Poznámka: NEPOUŽÍVAJTE opotrebované, potrhane alebo silne zanesené brúsne objímky. Uistite sa, že cudzie predmety, ako sú klince a skrutky, boli odstránené z povrchu materiálu pred začiatkom brúsenia.

VAROVANIE: NEPOUŽÍVAJTE brúsne objímky použité už na brúsenie kovových povrchov na brúsenie dreva. To môže viesť k odieraniu brúseneho dreveného povrchu.

- Odstráňte zámok vretena (10) a podložku valca (11) (D)
- Odstráňte valec na brúsnu objímku (15)
- Na valec nasadíte brúsnu objímku (9) (A)
- Valec znovu nasadíte na vreteno (B)
- Nasadíte podložku valca (C) a zámok vretena utiahnete (D)

Poznámka: Schéma zloženia viď. obr. 1.

Odsávanie prachu

VAROVANIE: Vždy pripojte brúsku k vysávaču alebo dielenskému odsávaciemu systému v prípade, že brúsny prach obsahuje škodlivé látky, ako sú častice starých náterov, lakov, povrchové nátery atď. Vždy sa zbavte škodlivého prachu v súlade s právom a právnymi predpismi.

VAROVANIE: Zvyšší je nutné sa chrániť proti pôsobeniu škodlivých a toxických prachov pri brúsení olivnatými farbami lakovaných povrchov, dreva a kovov, a to najmä ak nie je známe ich zloženie. Všetky osoby vstupujúce do pracovného priestoru musí nosiť masku špeciálne navrhnutou pre ochranu proti toxickému prachu a výparom. Deťom a tehotným ženám nie je dovolené do týchto pracovných priestorov vstupovať. Pri práci nekonzumujte potraviny, nepite a nefajčite.

- Táto brúska je určená pre pripojenie hadicou na domáci vysávač alebo dielenský odsávací systém. Toto je odporúčané ako najúčinnjší spôsob odsávania prachu
- Nasuňte vhodnú hadicu vysávača na port pre odsávanie prachu (7)
- Ako odstrániť adaptér portu pre odsávanie prachu: otočte s ním proti smeru hodinových ručičiek tak, aby výčnelky boli na úrovni zárezov na porte pre odsávanie a potom ho odstráňte
- Ako nasadiť adaptér portu pre odsávanie prachu: nasadíte ho tak, aby výčnelky boli na úrovni zárezov na porte, potom adaptérom otočte v smere hodinových ručičiek, tým sa zaistí v pozícii (E)

VAROVANIE: Ak brúsíte kov, NEPOUŽÍVAJTE vrecko na prach. Vždy, keď brúsíte drevo a potom kov a naopak, treba brúsku DOKLADNE vyčistiť.

Poznámka: K tejto brúske nie sú dodávané sáčok na odsávanie prachu, pretože táto brúska vyžaduje použitie systému pre odsávanie prachu, aby došlo k účinnému odsávaniu prachu. Použitie iného vrecka na prach nie je efektívna metóda odsávania prachu a tento postup neodporúčame.

Pokyny pre použitie

VAROVANIE: Pri práci s týmto náradím VÝZDY používajte zodpovedajúce ochranné pomôcky, vrátane ochrany očí, dýchacích ciest, chrániče sluchu a vhodné rukavice.

VAROVANIE: Nedotýkajte sa brúsne objímky (9) pri chode brúsky.

Poznámka: Vždy zaistite upevnenie opracovávaného materiálu k pracovnému stolu, pokiaľ je to možné.

VAROVANIE: NIKDY nedovoľte úplné opotrebenie brúsne objímky pred výmenou. Nedodržanie týchto preventívnych opatrení môže viesť k poškodeniu valca na brúsnu objímku (15), čo vedie k problémom s riadnym upevnením brúsne objímky.

Zapnutie a vypnutie

VAROVANIE: Nezapínajte brúsku, keď je základňa v kontakte s materiálom alebo iným povrchom. Môže dôjsť k tomu, že operátor stratí kontrolu nad náradím a môže dôjsť k vážnemu úrazu.

- Pripojte brúsku k elektrickej sieti
- Aby ste brúsku zapli, stlačte spínač (2) do pozície "I"
- Aby ste brúsku vypli, stlačte spínač do pozície "O"

VAROVANIE: Pred odložením brúsky pokľajte do úplného zastavenia náradia. Vždy odpojte náradie z elektrickej siete.

Nastavenie rýchlosti náradia

VAROVANIE: Nikdy nepoužívajte príslušenstvo k valcu na brúsnu objímku (15), ktoré špecifikáci otáčok nezodpovedajú maximálnym otáčkam brúsky (pozri Technické informácie).

- Brúska Triton je vybavená reguláciou otáčok, ktoré vám umožní použiť celý rad príslušenstva pre prácu s rôznymi materiálmi, opracovávanými diely a predmety.

Poznámka: Kolesko pre nastavenie rýchlosti otáčok (4) je možné použiť, keď je brúska aj vypnutá. Ak nastavíte rýchlosť otáčok na "1", bude rýchlosť otáčok bez zaťaženia 1800 za minútu, ak rýchlosť otáčok nastavíte na "6", maximálna rýchlosť bez zaťaženia bude 3200 za minútu.

- Pre nastavenie rýchlosti pootočte koleskom do požadovanej polohy (obr. III)
- Rozsah rýchlosti je od 1 do 6 - 1 je najnižšia rýchlosť, 6 je najvyššia
- V prípade pochybností o správnom nastavení otáčok pre brúsenie možno začať s nízkymi otáčkami a po otestovaní nastaviť správnu hodnotu otáčok

Brúsenie okraje

- Prenosná vretenová brúska je vhodná pre brúsenie okrajov rôznych plochých materiálov (F)
 - Vždy skontrolujte, že opracovávaný materiál je zaistený a ak treba, použite zvierky
 - Bočné vodítko (16) je možné k brúske prichytiť, ak je to potrebné (J). Prichyťte bočné vodítko k brúske a zaistite ho v pozícii pomocou skrutky zabezpečenia bočného vodítka (17) (obr. II)
1. Umiestnite brúsku tak, že brúsna základňa leží na opracovávanom materiáli a brúsna objímka (9) smeruje nadol. Skontrolujte, že je pod brúsnou dostatok miesta pre pohyb vretena hore a dole
 2. Najskôr spustíte odsávací systém (ak ho máte pripojený) a potom zapnite brúsku
 3. Je lepšie vykonávať viac kratších pohybov po okraji materiálu než menej dlhších
 4. Nechajte brúsku, aby sama odvedla prácu - brúsku netlačte proti materiálu, príliš netlačte; mohlo by dôjsť k poškodeniu materiálu i náradie alebo dokonca k zraneniu

Poznámka: Ak používate bočné vodítko, vždy začínajte brúsiť z rohu alebo okraje materiálu. Najskôr vedte náradie proti materiálu a postupne navedte brúska na materiál.

Brúsenie s brúskou upnutou k stolu v obrátenej polohe

VAROVANIE: Ako budete brúsku upínať k stolu, vždy sa uistite, že je vypnutá a kábel je vytiahnutý z elektrickej siete.

- Prenosná vretenová brúska je vhodná pre brúsenie okrajov rôznych materiálov, ak je bezpečne upnutá v obrátenej polohe k stolu (G)
1. Na okraj stabilného pracovného stola položte podložku pre upnutie k stolu (14)
 2. Brúsku položte v obrátenej polohe na podložku a prichyťte k pracovnému stolu pomocou zvierok na upnutie k stolu (13) - uistite sa, že je brúska bezpečne prichytená k pracovnému stolu tým, že utiahnete krídlové matice na zvierkach
 3. Hadicu odsávacieho systému pripojte k adaptéru portu pre odsávanie prachu (ak je potrebné prach odsávať)

Poznámka: Vždy, keď je brúska upnutá v obrátenej polohe, je vhodné používať odsávanie prachu

- Na kolesku pre nastavenie rýchlosti otáčok (1) zvolte vhodnú rýchlosť
5. Najskôr spustíte odsávací systém (ak ho máte pripojený) a potom zapnete brúsku
 6. Brúsnu základňu (8) používajte ako pracovný stôl pre stabilizáciu opracovávaného materiálu
 7. Nechajte brúsku, aby sama odvedla prácu - brúsku netlačte proti materiálu, príliš netlačte; mohlo by dôjsť k poškodeniu materiálu i náradie alebo dokonca k zraneniu

Odporúčania pre brúsenie

- Ak je brúska pripojená k odsávaciemu systému, zapnite najskôr odsávanie a potom zapnite brúsku.
- Upevnite opracovávaný diel na pracovný stôl, pokiaľ je to možné. Zaistite, aby sa brúsený diel pri brúsení nemohol posunúť
- Udržiavajte brúsku v kruhovom pohybe po povrchu materiálu - používajte rovnomerný, mierny tlak, kým sa nedosiadne požadovanej kvality povrchu.

VAROVANIE: Nadmerný prítlak nevedie k rýchlejšiemu úberu materiálu; to môže spôsobiť predčasné opotrebovanie brúsne objímky (9) a následné poškodenie náradia. Brúsný výkon a kvalita závisí predovšetkým na voľbe správnych brúsných objímok (viď. "Výber zodpovedajúce zrnitosti brúsne objímky").

Brúsenie kovových povrchov

VAROVANIE: Pri brúsení kovových povrchov je treba dbať nasledujúcich opatrení.

- VŽDY pripojte brúsku pomocou zodpovedajúceho chráneného kábla
- VŽDY pripojte brúsku k dielenskému odsávaniu prachu

Pred brúsením kovových povrchov starostlivo vyčistite náradie

VAROVANIE: Horúce kovové častice môžu vznietiť zvyšky dreveného prachu. Vždy dôkladne vyčistite náradie pri prechode z brúsenie dreva na brúsenie kovu a naopak.

- Brúsna objímka použitá najskôr pre brúsenie kovového povrchu by nemala byť použitá pre brúsenie dreva. Zvyšky kovových častíc môžu viesť k poškriabaniu a zničeniu povrchu materiálu.

Príslušenstvo

- Úplná súprava príslušenstva, vrátane brúsných objímok s rôznou zrnitosťou, je k dispozícii u vášho Triton predajcu. Pre vlastnú bezpečnosť používajte výhradne originálne príslušenstvo Triton. Náhradné diely môžu byť objednané buď u dealera Triton, alebo na www.toolsparsonline.com

Údržba

VAROVANIE: Predtým, než na nástroj vykonáte úpravy alebo opravy, sa uistite, že je náradie odpojené z elektrickej siete.

- Náradie je vyrobené z komponentov najvyššej kvality a využíva najnovšie technológie, ktoré chránia náradie a jeho súčasti. Pri normálnom používaní by mala byť zabezpečená dlhá životnosť

Základná kontrola stavu

- Pravidelne kontrolujte, že sú všetky skrutky pevne utiahnuté. Vibráciami sa môžu v priebehu času uvoľniť
- Pravidelne kontrolujte privodný kábel pred každým použitím. Opravy môže robiť iba certifikované servisné stredisko Triton. Toto odporúčanie sa týka tiež predizovaciach kabeľov, ktoré používate spoločne s náradím

Premazávanie

- Premazávajte všetky pohyblivé diely v pravidelných intervaloch

Čistenie

VAROVANIE: VŽDY používajte ochranné prostriedky vrátane ochrany očí a rukavíc pri čistení tohto náradia.

- Udržujte náradie po celú dobu používania v čistote. Špina a prach môžu rýchlo spôsobiť zanesenie vnútorných častí a skrátiť životnosť náradia
- Čistite teleso brúsky mäkkou kefou alebo suchou handričkou
- Nikdy nepoužívajte chemické čistiace prostriedky na čistenie plastových dielov. Ak je očistenie nedostatočné, odporúča sa použiť saponát na vlhké utierky
- Voda nesmie nikdy prísť do kontaktu s náradím
- Uistite sa, že náradie je starostlivo vysušené pred použitím
- Prefúkňte ventilačné otvory náradia stlačeným vzduchom, ak je k dispozícii

Povrch valca na brúsnu objímku

- Povrch valca na brúsnu objímku potrebuje byť čistý bez špiny a iného materiálu ako sú vlasy, vlákna, piesok atď.
- Povrch valca musia byť v dobrom stave, aby bola zaistená dostatočná príľnavosť pre uchytienie
- Pri dlhodobom používaní náradia sa deformuje povrch valca a valec nemá dostatočný priemer pre upevnenie brúsných objímok

Poznámka: Valce na brúsenie objímky nie sú súčasťou záruky. Náhradné voľne môžete zakúpiť prostredníctvom ktoréhokoľvek certifikovaného servisného strediska Triton.

Čistenie portu pre odsávanie prachu

- Príležitostne môže byť potreba uvoľniť alebo vyčistiť port pre odsávanie prachu a kanál odvodu prachu
1. Aby ste mohli port a kanál vyčistiť, je najskôr potrebné odstrániť valec na brúsnu objímku (15) (viď. "Upevnenie brúsne objímky")
 2. Použite skrutkovač (nie je súčasťou balenia), odskrutkujte skrutky na brúsnej základni (8) a základňu odstráňte. Dajte pozor, aby ste neuvoľnili podložky pod brúsnou základňou v otvoroch na skrutky (H)
 3. Zo základne odstráňte kovovú platňu, aby ste sa dostali ku kanálu pre odvod prachu (I)
 4. Vyčistite vnútorný kanál, port pre odsávanie prachu a priestor pod remeňom - najskôr štetčekom a potom pomocou kompresora
 5. Po vyčistení znovu pripevnite brúsnu základňu a skrutky utiahnite
 6. Nasadte valec na brúsnu objímku

VAROVANIE: Po vyčistení skontrolujte, že sú všetky podložky, skrutky a matice na mieste a utiahnuté, než znovu budete brúsku používať. Pokiaľ pri práci brúska vydáva zvláštne zvuky alebo príliš vibruje, **PRESTAŇTE** brúsku používať a vypnite ju z elektrickej siete. Znovu postupujte podľa pokynov vyššie a skontrolujte, že všetky časti boli umiestnené správne. Ak vibrácie a zvuky pretrvávajú, konzultujte problém s certifikovaným servisným strediskom Triton.

Skladovanie

- Toto elektronáradie skladujte na zabezpečenom suchom mieste mimo dosah detí.

Likvidácia

Elektronáradie, ktoré už nefunguje a nie je možné ho opraviť, zlikvidujte v súlade s legislatívou danej krajiny.

- Nevyhadzujte elektronáradie a elektroodpad do domového odpadu.
- V prípade otázok kontaktujte príslušný úrad.

Riešenie problémov

Problém	Možná príčina	Riešenie
Náradie sa nezapne, aj keď spínač (2) je funkčná	Nefunguje elektrína	Skontrolujte prívod elektriny
	Chybný spínač	Nechajte vymeniť spínač v certifikovanom servisnom stredisku Triton
Motor sa striedavo rozbieha a vypína, stráca výkon, iskrí alebo je cítiť popálenina	Opatrebované uhličky	Nechajte si vymeniť uhličky v certifikovanom servisnom stredisku Triton
Motor beží, spínač (2) je funkčný ale náradie nebrúsia	Prevodovka nie je v chode	Kontaktujte certifikované servisné stredisko Triton
Pomalý úber materiálu	Brúsny disk je príliš jemný alebo opotrebovaný	Nasadte nový brúsny disk s hrubšou zrnitosťou
	Otáčky sú príliš nízke	Zvýšte otáčky
Ryhy na povrchu obrobku po brúsení	Brúsna objímka je príliš jemná alebo opotrebovaná	Nasadte brúsnu objímku s jemnejšou zrnitosťou
	Malá vrstva odobratého materiálu	Pokračujte v brúsení
Stopy po vypálení na obrobku	Brúsna objímka nie je vhodná pre brúsený materiál	Nasadte vhodnú brúsnu objímku
	Otáčky sú príliš vysoké	Znížte otáčky
	Príliš veľký tlak pri brúsení	Znížte prítlak pri brúsiacom pohybe
Nadmerná prašnosť pri brúsení	Nepripojené odsávanie alebo odsávanie nie je v prevádzke	Skontrolujte pripojenie sacej hadice, adaptér portu pre odsávanie prachu (7) (ak je používaný) a či je odsávanie zapnuté
	Odsávanie nepracuje; odvod prachu je blokovaný	Skontrolujte odsávací systém, vyčistite odsávanie prachu (viď. "Čistenie portu pre odsávanie prachu"). Ak problém pretrváva, kontaktujte certifikované servisné stredisko Triton

Záruka

Na registráciu záruky navštívte naše webové stránky www.tritontools.com* a zadajte informácie o výrobku. Vaše údaje budú uložené (pokiaľ túto možnosť nezakážete) a budú vám zasielané novinky. Vaše údaje nebudú poskytnuté žiadnej tretej strane.

Záznam o nákupe

Dátum obstarania: ___/___/___

Model: **TSPSP650**

Doklad o kúpe uschovajte ako potvrdenie o zakúpení výrobku.

CE Prehlásenie o zhode

Dolu podpísaný: p. Darrell Morris

spĺnomocnený: Triton

prehlasuje, že: Toto vyhlásenie bolo vydané na výhradnú zodpovednosť výrobcu. Predmet tohto vyhlásenia je v súlade s príslušnou harmonizačnou legislatívou Únie.

Výrobok číslo: 949538

Popis: Prenosná oscilačná vretenová brúska, 650 W

Bol uvedený na trh v súlade so základnými požiadavkami a príslušnými ustanoveniami nasledujúcich smerníc:

- Smernica o bezpečnosti strojných zariadení 2006/42/EC
- Smernica o technických požiadavkách na výrobky z hľadiska ich elektromagnetickej kompatibility 2014/30/EC
- Smernica RoHS 2011/65/EU
- EN 60745-1:2009+A11:2010
- EN ISO 12100:2010
- EN 55014-1:2006+A2:2011
- EN 55014-2:2015
- EN 61000-3-2:2014
- EN 61000-3-3:2013

Pokiaľ sa behom 3-ročnej doby od dňa nákupu objaví porucha výrobku spoločnosti Triton Precision Power Tools, ktorá bola spôsobená chybou materiálu alebo chybným spracovaním, Triton opraví alebo vymení chybný diel zdarma.

Tato záruka sa nevzťahuje na výrobky, ktoré budú používané na komerčné účely, a ďalej na poškodenie, ktoré je spôsobené neodborným použitím alebo mechanickým poškodením výrobku.

* Registrovať sa behom 30 dní od nákupu. Zmena podmienok vyhradená. Týmito podmienkami nie sú dotknuté vaše zákonné práva.es

Notifikovaná osoba: TÜV Rheinland Co., Ltd.

Technická dokumentácia je uložená u: Triton

Dátum: 17/05/2017

Podpis:



Mr Darrell Morris

Výkonný riaditeľ

Meno a adresa výrobcu:

Powerbox International Limited, Company No. 06897059.

Registrovaná adresa: Powerbox, Boundary Way, Lufton Trading Estate,

Yeovil, Somerset, BA22 8HZ, United Kingdom.

Orijinal talimatların çevirisi

Tanıtım

Bu Triton ürününü satın aldığınız için teşekkür ederiz. Bu kılavuz, bu ürünün güvenli ve etkili bir şekilde kullanılmasına yönelik bilgiler içerir. Bu ürünün eşsiz özellikleri vardır ve benzer ürünler hakkında bilgi sahibi olsanız bil, bu kılavuzu okumanız talimatı anlamamak için şarttır. Tüm kullanıcıların bu kılavuzu okuduğundan ve tamamen anladığından emin olun.

Semboller

Aletinizin üzerindeki levha sembollerini gösterebilir. Bunlar ürün veya kullanımı ile ilgili talimatlar hakkında önemli bilgiler verir.



İşitme koruyucu kullanın
Göz koruyucu kullanın
Solunma koruyucu kullanın
Baş koruyucu kullanın



El koruyucu kullanın



UYARI – Yaralanma riskini azaltmak için kullanıcı kullanma kılavuzunu okumalıdır



Toz çekme gereklidir veya önerilir



Yalnız iç mekân kullanımı için



Ayar yaparken, aksesuarları değiştirirken, temizlerken, bakım yaparken ve kullanım dışından olduğu zaman daima güç kaynağından ayırın!



Sınıf II yapı (ilave koruma için çift izolasyonlu)



Çevre Koruması Atık elektrikli ürünler evsel atıklar ile birlikte atılmamalıdır. Tesis bulunan yerlerde geri dönüştürün. Geri dönüştürme tavsiyesi almak için yerel makamlar veya satıcı ile görüşün.



İlgili yönetmeliklere ve güvenlik standartlarına uygundur.



DİKKAT:



Toksik dumanlar ve gazlar!

Teknik Kısaltmalar Anahtarı

V	Volt
~, AC	Alternatif akım
A, mA	Amper, mili-Amp
n ₀	Yüksüz hız
salınım/dak	dakika başına yörüngede gezinti veya salınım
Ø	Çap
Hz	Hertz
W, kW	Watt, kilowatt
/dak veya dak ⁻¹	Dakikada işlem sayısı
dev/dak	Dakikada devir sayısı
dB(A)	Desibel ses seviyesi (A ağırlıklı)
m/s ²	saniye karede metre (titreşim büyüklüğü)

Spesifikasyon

Model no:	TSPSP650
Voltaj:	AB 230–240 V
Güç	650 W
Yüksüz hız	1800–450 dak ⁻¹
Mil salınımları	50–90 salınım/dak
Vuruş uzunluğu	6,5 mm
Kovan uzunluğu	76 mm (3")
Kovan çapları	Ø13 mm, Ø19 mm, Ø26 mm, Ø38 mm (½", 1", 1 ½")
Koruma sınıfı	□
Sızıntı koruması	IP20
Güç kablosu uzunluğu	2 m (6")
Boyutlar (U x G x Y)	262 x 84 x 261 mm
Ağırlık:	2,2 kg (4.85lbs)
Ses ve titreşim bilgisi	
Ses basıncı L _{PA}	86.4 dB(A)
Ses gücü L _{WA}	97.4 dB(A)
Belirsizlik K	3 dB
Ağırlıklı titreşim a _h	4,874m/sn ²
Belirsizlik K	1,5 m/sn ²
Operatör ses yoğunluk seviyesi 85 dB(A)'dan yüksektir ve sestən korunma önlemleri zorunludur.	

Kesintisiz ürün geliştirmemizin bir parçası olarak, Triton ürünlerinin teknik özellikler önceden bildirilmeden değişebilir.

UYARI: Ses düzeyinin 85dB(A) değerini geçtiği yerlerde daima kulak koruyucu kullanın ve gerekirse maruz kalma süresini sınırlayın. Kulak koruması kullanıldığında zaman bile ses düzeyleri rahatsız edici ise el aletini kullanmayı hemen bırakın ve kulak korumasının doğru takılıp takılmadığını ve el aletinizin ürettiği ses düzeyi için doğru miktarda ses zayıflatması sağlayıp sağlamadığını kontrol edin.

UYARI: Kullanıcının el aletinin titreşimine maruz kalması dokunma duyusunun kaybolmasına, uyuşmaya, karıncalanmaya ve tutma yeteneğinin azalmasına yol açabilir. Uzun süre maruz kalınması kronik bir duruma yol açabilir. Gerekli takdirde, titreşime maruz kalma süresini sınırladığınız ve titreşim önleyici eldiven kullanın. Titreşim tarafından daha çok etkileneceği için ellenizinin sıcaklığı normal rahat bir sıcaklığı altında olduğu zaman el aleti kullanmayın. Spesifikasyonu titreşim ile ilgili olarak vermiş değerleri kullanarak el aletini çalıştırma süresini ve sıklığını hesaplayın.

Spesifikasyondaki ses ve titreşim düzeyleri EN60745 veya benzer uluslararası standartlara göre belirlenmiştir. Verilen değerler el aletinin normal çalışma koşullarında normal kullanımını temsil etmektedir. İyi bakım yapılmayan, yanlış monte edilmiş veya kötü kullanılan bir el aleti yüksek seviyelerde gürültü ve titreşim üretir. www.osha.europa.eu adresinde, konuların ilgili uzun süreler boyunca el aletleri kullanan kişiler için yararlı olacaktır, iş yerindeki ses ve titreşim seviyeleri hakkında bilgi bulunmaktadır.

Genel Güvenlik

UYARI: Tüm güvenlik uyarılarını ve tüm talimatları okuyun. Uyarılara ve talimatlara uyulmaması elektrik çarpmasına, yangına ve/veya ağır yaralanmaya yol açabilir.

UYARI: Fiziksel veya aklisel yetenek eksikliği bulunan (çocuklar dâhil) veya yeterli deneyimi ve bilgisi olmayan kişiler, kendilerinin güvenliğini sorumlu bir kişi tarafından cihazın kullanımı için gözetim ve bilgi sağlanmadığı sürece bu cihazı kullanmamalıdır. Çocukların bu cihaz ile oynamasına dikkat edilmelidir.

Tüm uyarıları ve talimatları ileride kullanabilmek için saklayınız.

Uyarılardaki "elektrikli el aleti" terimi elektrik şebekesinden çalışan (kablolu) elektrikli el aleti veya batarya ile çalışan (kablolu) elektrikli el aleti anlamına gelmektedir.

1) Çalışma alanının güvenliği

- Çalışma alanını temiz ve iyice aydınlatılmış halde tutun.** Dağınık veya karanlık yerler kazaları davet eder.
- El aletlerinin yanıcı sıvılar, gazlar veya toz içeren ortamlar gibi patlayıcı atmosferlerde çalışmayın.** Elektrikli el aletleri toz ve dumanları tutuşturabilecek kıvılcımlar çıkarır.
- Elektrikli aletleri çalıştıran çocukları ve izleyicileri uzakta tutun.** Dikkati dağıtan şeyler kontrolü kaybetmenize neden olabilir.

2) Elektrik güvenliği

- Elektrikli el aletlerinin fişleri prize uygun olmalıdır. Fişi asla hiçbir şekilde değişikliğe uğratmayın. Topraklanmış (topraklı) elektrikli el aletleri ile hiçbir adaptör fiş kullanmayın. Değişikliğe uğratılmış fişler ve fişe uygun prizler elektrik çarpması riskini azaltır.**
- Borular, radyatörler, fırınlar ve buzdolapları gibi topraklanmış veya topraklı yüzeylere vücut ile temas etmemek kaçınılmazdır. Vücudunuz topraklandığı zaman elektrik çarpması riski artar.**
- Elektrikli el aletlerini yağmura veya ıslak koşullara açık bırakmayın.** Elektrikli el aletine su girmesi elektrik çarpması riskini artırır.
- Kabloyu yanlış şekilde kullanmayın. Elektrikli el aletini taşımak, fişi takmak veya çıkarmak için asla kabloyu kullanmayın. Kabloyu iş, yağ, keskin kenarlar veya hareketli parçalardan uzak tutun. Hasar gören veya düğümlenen kablolar elektrik çarpması riskini artırır.**
- Elektrikli bir el aletinin diş mekânında kullanırken diş mekânında kullanmaya uygun bir uzatma kablosu kullanın. Diş mekânında kullanıma uygun bir kablo kullanmak elektrik çarpması riskini azaltır.**
- Elektrikli bir el aletinin nemli bir yerde kullanım zorunlu ise bir kaçak akım cihazı (RCD) ile korunan bir kaynak kullanın. RCD kullanmak elektrik çarpması riskini azaltır.**

3) Personel Güvenliği

- Elektrikli aletleri çalıştırdığınız tetikte olun, yaptığınız işe dikkat edin ve sağduyunuzun kullanın. Yorgun veya ilaçları, alkolünü veya bir tedavinin etkisinde olduğunuz zaman elektrikli alet kullanmayın. Elektrikli alet kullanırken bir anlık dikkatsizlik ağır yaralanmaya yol açabilir.**
- Kişisel koruyucu donanım kullanın. Her zaman göz koruyucu kullanın . Gereken koşullar için kullanılan toz maskesi, kaymaz güvenlik bacucu, baret veya işleme koruyucu gibi koruyucu donanım yararlanmalara azaltır.**
- El aletinin istenmeden çalıştırılmasını önleyin. Güç kaynağına ve/veya batarya grubuna bağlanmadan önce veya el aletini toplayıp taşımadan önce düğmenin kapalı olduğunun kontrol edin. Elektrikli el aletlerinin pargajınızın düğmesinin üzerinde olacak şekilde taşımak veya anahtar üzerinde iken elektrikli el aletlerine enerji vermek kazaları davet eder.**
- Elektrikli el aletini çalıştırdıktan önce tüm ayarlamaları anahtarların veya kollarını çıkarın. El aletinin dönen bir kısmına takılı olarak bırakılan bir anahtar veya kol yaralanmaya neden olabilir.**
- Çok fazla ıleriye uzanmayın. Desteğinizi ve dengeniizi daima uygun şekilde koruyun. Bu, beklenmeyen durumlarda aletin daha iyi kontrol edilmesini sağlar.**
- Uygun giysi giyin. Gevşek giysiler veya takı kullanmayın. Saçınızı, giysinizi ve eldivenlerinizi hareketli parçalardan uzak tutun. Hareketli parçalar, gevşek giysiler, takılan veya uzun saçları yakalayabilir.**
- Göz uzaklaştırma ve toplama olanaklarına bağlı olarak yapmak için cihazlar verilmiş ise bunları bağlayıp gereken şekilde kullanmaya dikkat edin. Toz toplama olanaklarının kullanılması toz ile ilişkili tehlikeleri azaltabilir.**

4) Elektrikli el aletinin kullanımı ve bakımı

- Elektrikli el aletini zorlamayın. İşiniz için doğru elektrikli el aletini kullanın. Doğru elektrikli el aleti bir işi daha iyi ve daha güvenli şekilde de gerçekleştirir için tasarlандığı hizada yapar.**
- Düğüme elektrikli el aletini açp kapatmıyorsanız aleti kullanmayın. Düğüme ile kontrol edilemeyen bir elektrikli el aleti tehlikelidir ve tamir edilmelidir.**
- Elektrikli el aletlerinde ayar yapmadan, aksesuarları değiştirmeden veya saklamadan önce aletin fişini güç kaynağından ve/veya batarya grubundan çekin. Bu gibi önleyici güvenlik önlemleri elektrikli el aletinin kazara çalıştırılması riskini azaltır.**
- Kullanılmayan elektrikli el aletlerini çocukları ulaşamayacağı bir yerde saklayın ve elektrikli el aletini veya bu talimatlara göre kullanın. El aletinin aletini kullanmasına izin vermayın. Elektrikli el aletleri eğitim almamış kullanıcıların elinde tehlikeli olur.**
- Elektrikli el aletlerine bakım yapın. Hareketli kısımlarda hızı kaçıklığı veya sıkışma, parçalarda kırılma ve el aletinin çalışmasını etkileyebilecek başka bir durum olup olmadığını kontrol edin. El aleti hasar görmüş ise kullanılmadan önce tamir ettirin. Kazaları birçoğuna iyi bakım yapılmayan el aletleri neden olmaktadır.**
- Kesici aletleri keskin ve temiz bulundurun. Kesici kenarları keskin olan iyi bakım gören kesici aletlerin sıkışma olasılığı daha azdır ve daha kolay kontrol edilir.**
- El aletini, aksesuarlarını ve el aletini v.b., çalışma koşullarında ve yapılacak işi dikkate alarak bu talimatlara göre kullanın. El aletinin amaçlanan işlemler dışındaki işler için kullanılması tehlikeli durumlara yol açabilir.**
- Servis**
- El aletinize yalnızca tamamen aynı yedek parçalar kullanılarak ehliyeti bir tamirci tarafından servis yapılmasını sağlayın. Bu, el aletinin güvenliğinin sürdürülmesini sağlar.**

Zımpara Aleti Güvenliği



UYARI:

- Elektrikli el aletini yalnızca yapılmış tutamaklardan veya kavrama yüzeylerinden tutun, çünkü zımpara bandı/levhası kendi kablosuyla temas edebilir. "Akım olan" bir kabloyu kesmek, elektrikli aletin çıktığı metal parçalarına da "akım" ilelebilir ve operatöre elektrik çarparabilir**
 - Mengene veya başka bir uygun yöntem kullanarak iş parçasını dengeli bir platforma sabitleyin iş parçasını el ile tutmak veya vücuda bastırma sağlam durmamasına ve kontrolün kaybedilmesine yol açabilir.**
 - Bu el aletine DAİMA 30 mA veya daha az nominal kaçak akım değerine sahip bir Kaçak Akım Cihazı (RCD) takılması tavsiye edilir.**
 - Elektrik kalitesinin değiştirilmesi gerektiği takdirde güvenlik tehlikesi oluşmaması için bunun üretici veya temsilcisi tarafından yapılması gerekir.**
- En az FFP2 sınıfı toz maskesi, göz koruyucu ve kulak koruyucu dâhil olmak üzere gerekli koruyucu donanımı DAİMA kullanın**
 - Çalışma yerinin yakınındaki herkesin de uygun kişisel koruyucu donanım kullanmasını sağlayın**
 - Bazı aşşarları (kayın, meşe, maun, tik gibi) zımpara yaparken özel bir dikkat gösterin Bunlardan çıkan toz zehirli olur ve aşşırı reaksiyonlara yol açabilir**
 - Zımparayı asbest içeren hiçbir malzemeyi işlemek için ASLA kullanmayın. Bir nesnenin asbest içerip içermediğinden emin değilseniz işleminizi bir uzmana danışın**
 - Magnezyuma veya yüksek oranda magnezyum içeren alaşımlara zımpara YAPMAYIN**
 - Zımparalanmakta olan malzemeye sürülmüş olabilecek son kat boyalara veya yüzey izlemeleri dikkat edin. Birçok yüzey işleme zehirli veya başka zararları olabilecek tozlar çıkarabilir. 1960 yılından önce yapılmış bir binada çalışırken kurşun esaslı boyalar ile karşılaşma şansı daha yüksektir**
 - Kurşun esaslı boyalara zımpara yaparken çıkan toz çocuklar, hamile kadınlar ve yüksek tansiyonu olan kişiler için özellikle tehlikelidir. Bu kişiler gerekli kişisel koruyucu donanımı giymiş olsalar bile çalışma alanının yakınında bulunmalarına izin VERMEYİN**
 - Tozu ve çöplü kontrol etmek için olanaklı olduğu zaman bir vakum toz emme sistemi kullanın**
 - Bir makineyi hem aşşap hem metal zımparalamak için kullanırken özellikle dikkat edin. Metalden çıkan kıvılcıklar aşşap tozunu kolayca ateşleyebilir. Yangın riskini azaltmak için makinenizi DAİMA iyice temizleyin**
 - Kullanım sırasında, mola vermeden önce ve zımpara işi tamamlandıktan sonra toz torbasını veya kabını (hangisi var ise) sık sık boşaltın. Toz bir patlama tehlikesi oluşturabilir. Zımpara tozunu açık ateşe ATMAYIN. Yağ veya su zerreçikleri toz zerreçikleri ile temas ettiği zaman ani yama olabilir. Atık malzemeleri dikkatle ve yerel yasalara ve yönetmeliklere göre atın**
 - Çalışma sırasında iş parçası yüzeyleri ve zımpara çok ısınabilir. İş parçası yüzeyinde yanma belirtileri (duman veya küllü olduğu zaman durun ve malzemenin soğumasını bekleyin. Soğumak için yeterli zaman geçmeden iş parçası yüzeyine ve zımparaya DOKUNMAYIN**

- l) Hareket halindeki zımpara kâğıdına DOKUNMAYIN
- m) Zımparayı elinizden bırakmadan önce elektrik düğmesini DAİMA kapatın
- n) Islak zımpara yapmak için KULLANMAYIN. Motor muhafazasına giren sıvılar ağır şekilde elektrik çarpmasına yol açabilir
- o) Zımpara kâğıdını değiştirmeden önce DAİMA zımparanın fişini elektrik şebekesi prizinden çekin
- p) Bu el aleti daha önce anlatılan şekilde kullanılsa bile bakıye risk faktörlerinin hepsini ortadan kaldırmak olanaklı değildir. Bu el aletinin günlük kullanılması bakımından herhangi bir kuşku duymazsanız haline kullandırın

Ürün Tanıtımı

1. Hız Ayar Kadranı
2. AÇMA/KAPATMA Anahtar
3. Tezgaha Montaj Sabitleme Delikleri
4. Motor Havalandırması
5. Kenar Kılavuz Delikleri
6. Güç Kablo
7. Toz Boşaltma Kanalı Adaptörü (çıkartılabilir)
8. Zımparalama Tabanı
9. Zımpara Kovanı
10. Kilitleme Civatası
11. Tambur Rondelası
12. Kaucuk Tutamaklar
13. Tezgaha Montaj Mengeneri
14. Tezgaha Montaj Keçesi
15. Zımpara Kovanı Tamburu
16. Kenar Kılavuzu
17. Kenar Kılavuzu Kilitleme Vidası (2)
18. İlave Zımparalama Kovanları/Tamburları

Kullanma Amacı

Kompakt, taşınabilir salınımlı silindirik zımpara, hafif kenar zımparalama, eğimli iç zımparalama veya şablon zımparalama görevlerinde ister elde ister tezgaha monte edilerek kullanıma uygundur.

El Aletinizin Kutudan Çıkarılması

- Yeni el aletinizi dikkatli bir şekilde kutudan çıkartın ve inceleyin. Tüm özelliklerini ve işlevlerini öğrenin
- El aletinin tüm parçalarının mevcut ve iyi konumda olduğundan emin olun. Herhangi bir parçası eksik veya hasar görmüşse, bu el aletini kullanmadan önce bu tür parçaların değiştirilmesini isteyin.

Kullanım Öncesi

UYARI: Herhangi bir aksesuarı takmadan veya değiştirmeden ya herhangi bir ayar yapmadan önce el aletinin güç kaynağından çıkartıldığını emin olun

Doğru zımpara kovani derecesini seçmek

- Zımpara silindirlerinin farklı dereceleri mevcuttur: kalın (60 grit), orta (120 grit) ve ince (240 grit)
- Kaba son kat zımparası için kalın grit, iyi pürüzsüz hale getirmek için orta grit ve son kat için ince grit kullanın
- Son katı yapılan işlerin kalitesini en üst seviyeye çıkartmak için daima iyi kalite zımpara kovani kullanın
- Belirli bir iş için en iyi zımpara kâğıdı derecesini belirlemek için bir parça istalez malzeme üzerinde deneme yapmanız önerilir. Zımparalama sonrasında işte hala izler kalmışsa, daha kalın bir derece seçmeyi ve ilk seçtiğiniz grit derecesine geçmeden önce izleri zımparalamayı deneyin veya yeni bir zımpara kâğıdı parçası kullanarak daha ince bir grite geçiş için son kat işlemini yapmadan önce istenmeyen izleri yok edin.

Zımpara kovasının takılması

UYARI: Zımpara kovanlarını takmadan veya sökmeden önce daima el aletinin KAPALI olduğunu ve fişin prizden çekildiğini kontrol edin.

Not: Aşınmış, yıpranmış veya fazlasıyla tıkanmış zımpara kovanlarını kullanmaya devam etmeyin. Zımpara yapmaya başlamadan önce çivi ve vida gibi yabancı cisimlerin iş parçasından temizlendiğini kontrol edin.

UYARI: Daha önce metal üzerinde kullanılmış zımpara kovasını aşıpata kullanmayın. Aşıp yüzeyde oyuklara neden olabilir.

1. Kilitleme Civatasını (10) ve Tambur Rondelasını (11)(D) sökün
2. Zımpara Kovanı Tamburunu (15) çıkartın
3. Zımpara Kovanı Tamburunun (A) üzerine bir Zımpara Kovanı (9) kaydırın
4. Zımpara Kovanı Tamburu kovanın üzerine geri yerleştirin (B)
5. Tambur Rondelasını (C) geri takın ve Kilitleme Civatasını (D)tekrar sıkın

Not: Montaj şemasını görmek için Şek 1'e bakın.

Toz boşaltma

UYARI: Zımpara tozunda eski boya, vernik, yüzey boyaları vb. artığı parçacıklar gibi zararlı maddeler bulunursa, zımpara makinesini daima uygun bir elektrikli süpürgeye veya atölyenin toz emme sistemine bağlayın. Zararlı toz daima yasalara ve yönetmeliklere uygun şekilde atın.

UYARI: Kurşun esaslı boya ile boyanmış yüzeylere, aşıplara ve metallere zımpara yaparken ve özellikle kullanılmış maddenin ne olduğunu tam olarak bilmediğiniz takdirde zararlı ve zehirli tozlara karşı korunmaya özellikle dikkat edin. Çalışma alanına giren herkes söz konusu zehirli toz ve dumanlara karşı koruma için özel olarak tasarlanmış bir maske takmalıdır. Çocuklar ve hamile kadınlar çalışma alanına GİRMEZDİR. Çalışma alanında bir şey yemeyin, içmeyin ve sigara içmeyin.

- Bu zımpara makinesi ev tipi elektrikli süpürgeye veya atölyenin toz emme sistemine bağlanacak şekilde tasarlanmıştır Toz emişi için en çok tercih edilen ve en etkili yöntem budur.
- Tedarik edilen Toz Boşaltma Kanalı Adaptörüne (7) uygun bir süpürge hortumu bağlayın
- Toz Boşaltma Kanalı Adaptörünü çıkartmak için: pimler toz boşaltma kanalının çentikleriyle aynı hizaya gelecek şekilde saat yönünün tersine çevirin, sonra çıkartın
- Toz Boşaltma Kanalı Adaptörünü geri takmak için: pimler toz boşaltma kanalı ile hizalanmış bir şekilde takın ve sonra sabitlemek için adaptörü saat yönünde çevirin (E)
- Taşınabilir silindirik zımpara Toz Boşaltma Kanalı Adaptörü ve uyumlu bir toz boşaltma sistemi olmadan da kullanılabilir; ancak uyumlu bir toz boşaltma sisteminin kullanılması her zaman tavsiye edilir.

UYARI: Metal zımparalarken, zımparayı daima uygun bir atölye toz boşaltma sistemine bağlayın. Aşıp zımparalamadan metal zımparalamaya veya metalden aşıpaba geçenken daima İYİCE temizleyin.

Not: Bu aletle bir toz torbası tedarik edilmemiştir çünkü etkili toz boşaltma için aletin bir toz boşaltma sistemine ihtiyacı vardır. Toz Boşaltma Kanalı Adaptörüne farklı bir toz torbası takmak kullanım sırasında toz boşaltma için etkili bir yöntem değildir ve önerilmez.

Çalıştırma

UYARI: Bu el aletleyle çalışırken, DAİMA koruyucu gözlük, yeterli havalandırma ve duyma koruması ve bu aletle çalışırken kullanılacak uygun eldivenler kullanın.

UYARI: Hareketli Zımpara Kovanı (9) dokunmayın

Not: Uygun durumlarda, iş parçanızı tezgaha sabitlemek için daima kelepçeleri kullanın.

UYARI: Zımpara kâğıdını değiştirmek için ASLA tamamen aşınmasını beklemeyin. Bu öyleci tedbirleri almazsanız, Zımpara Kovanı Tamburunda (15) hasar oluşabilir, bu da Zımpara Kovanlarının düzgün takılmasına neden olur.

Kapatma ve açma

UYARI: Zımparayı asla Zımpara Kovanı (9) iş parçasıyla veya başka bir yüzüyle temas halindeyken AÇMAYIN. Bu operatörün makinenin kontrolünü kaybetmesine neden olabilir ve ciddi yaralanmalara yol açabilir.

1. Elektrik kablusunu elektrik şebekesine bağlayın
2. Zımparayı açmak için AÇMA/KAPATMA Anahtarını (2) "I" konumuna getirin
3. Zımparayı kapatmak için AÇMA/KAPATMA Anahtarını (2) "O" konumuna getirin

UYARI: Yere koymadan önce daima makinenin titreşiminin tamamen durmasını bekleyin. Kullanım sonrası daima elektrik prizinden çekin.

Hızı ayarlama

UYARI: Bu cihazın maksimum yüksüz hızına uygun olmayan hiç bir aksesuar Zımpara Kovanı Tamburuna (15) asla takmayın ('Spesifikasyon' bölümüne bakın).

- Bu zımpara aletinde değişken hız kontrolü bulunmaktadır ve böylece çok çeşitli malzemeler, iş parçaları ve nesnelere üzerinde çalışmak için çok çeşitli aksesuarlar ile kullanılabilir

Not: Zımpara el aleti AÇIK veya KAPALI iken Hız Ayar Kadranı (1) ayarlanabilir. Hız Ayar Kadranı "I" olarak ayarlandığında, zımpara aletinin yüksüz hızı 1800 dak-1 olur; Hız Ayar Kadranı "6" olarak ayarlandığında 3200 dak-1 hızına erişilir.

- Hızı ayarlama için, Hız Ayar Kadranını isteneni ayara döndürün
- Hız ayarları "1" en düşük hız ayarı ve "6" da en yüksek hız ayarı olacak şekilde 1-6 arasında değişim gösterir
- Görev için uygun doğru hız ayarını seçmede şüpheye düşüyorsanız, düşük bir hızla başlayıp sonuçları inceleyin ve sonra gerekirse daha yüksek bir hız ayarlayın

Kenar Zimparalama

- Taşınabilir silindir zimpara, çeşitli düz iş parçalarının kenarlarının zimparalanmasında etkilidir (F)
 - İş parçasının sabitlenmiş olduğunun her zaman doğrulayın ve gerektiğinde kelepçeleri kullanın
 - Kenar Kılavuzu (16) gerekirse zimpara aletine takılabilir (J). Zimpara aletine Kenar Kılavuzunu uygulayın ve istenen konuma Kenar Kılavuzu Kilitleme Vidalarıyla (17) sabitleyin (Şekil II).
1. Zimpara aletini Zimparalama Tabanı (8) ile birlikte iş parçasının üzerine, Zimpara Kovanı (9) aşağı bakacak şekilde yerleştirin ve salınimli silindirin yukarı ve aşağı hareketinin vuruş uzunluğu için gereğinden fazla yer kalmadığından emin olun.
 2. Önce toz boşaltma sistemini AÇIN (bağlıysa) sonra silindir zimpara aletini AÇIN.
 3. İş parçasının kenarında uzun yavaş geçişler yerine daha kısa geçişler yapın
 4. İş zimpara aletine bırakın ve fazla basınç uygulayarak zimparayı iş parçasına karşı zorlamayın. Bunu yapmanız halinde, iş parçası ve alet zarar görebilir veya kullanan kişi yaralanabilir
- Not:** Kenar Kılavuzunu kullanırken zimparalamaya her zaman iş parçasının köşesinden veya kenarından başlayın. İş parçasına ön besleme kılavuzu ile başlayın ve kademeli olarak el aletini yüzeye doğru besleyin.

Tezgaha ters monteli zimparalama

⚠ UYARI: Silindir zimparayı bir iş tezgahına sabitlemeden önce her zaman aletin KAPALI olduğundan emin olun ve elektrik fişinin prizden çekildiğini doğrulayın.

- Taşınabilir silindir zimpara, tezgaha monteli pozisyonda güvenli bir şekilde ters çevrildiğinde çeşitli iş parçalarının kenarlarını zimparalamada etkilidir (G)
1. Tezgaha Montaj Keçesini (14) iş tezgahının sağlam bir kenarına yakın yerleştirin.
 2. Taşınabilir silindir zimpara aletini ters çevrilmiş bir pozisyonda keçenin üzerine yerleştirin ve Tezgaha Montaj Mengenerelerini (13) kullanarak iş tezgahına sabitleyin. Tezgaha Montaj Mengenerelerinin kanatlı somunlarını sıkarak silindir zimparanın iş tezgahında sabitlendiğinden emin olun.
 3. Toz boşaltma sistemi hortumunu Toz Boşaltma Kanalı Adaptörüne bağlayın (toz boşaltma gerekiyorsa)
- Not:** Taşınabilir silindir zimpara aleti, ters çevrilmiş ve tezgaha monteli bir pozisyondan daima uyumlu bir toz boşaltma sistemi kullanmanız önerilir.
4. Hız Ayar Kadranında (1) istenen hızı seçin
 5. Toz boşaltma sistemini AÇIN (bağlıysa) sonra zimparayı AÇIN
 6. Zimparalama Tabanını (8) iş parçasını sabitlemek için bir tezgah olarak kullanın.
 7. İş zimparaya bırakın ve iş parçasını Zimpara Kovanına (9) fazla bastırmayın. Bunu yapmanız halinde, iş parçası ve alet zarar görebilir veya kullanan kişi yaralanabilir

Zimparalama ipuçları

- El aleti bir vakum toz emiş sistemine bağlıysa zimpara makinesini çalıştırmadan önce toz emiş cihazını çalıştırın. Önce zimpara makinesini sonra da vakum sistemini durdurun
- Uygun durumlarda iş parçalarını mengene ile iş tezgahına bağlayın. Çalıřırken iş parçalarının hareket etmediğinden emin olun
- Makineyi iş parçasının yüzeyinde dairesel bir hareket ile gezdirin ve istediğiniz yüzey durumunu elde edinceye kadar eşit ve ortalama bir kuvvet uygulayın

UYARI: Fazla basınç uygulamak materyalin daha hızlı talaş atılmasını sağlamaz, ancak Zimpara Kovanın (9) erken aşınmasına neden olur ve el aletinin de zarar görmesine neden olabilir. Zimparalama performansı ve son kat kalitesi öncelikli olarak seçilen Zimpara Kovanına göre değişir (bkz. "Doğru zimpara kovancı gradını seçmek")

Metal zimparalama

⚠ UYARI: Metale zimpara yaparken bazı ilave önlemler almak gerekir.

- Zimpara el aletini DAİMA uygun bir artık akım cihazı (RCD) vasıtası ile bağlayın
 - Zimpara aletini DAİMA uygun bir atölye toz boşaltma sistemine bağlayın.
 - El aletini metale zimpara yapmak için kullanmadan önce iyice temizleyin
- ⚠ UYARI:** Sıcak metal parçacıklar veya kıvılcıklar artık aşıp tozunun alev almasına neden olabilir. Aşıp zimparalandan metal zimparalamaya veya metalden aşıba geçen DAİMA iyice temizleyin.
- Daha önce metal zimparalamak için kullanılmış bir zimpara kovansı tekrar aşıbapt kullanılmamalıdır. Artık kalan metal parçacıkları çiziklere yol açabilir ve iş parçasına zarar verebilir

Aksesuarlar

- Triton satıcınızda, çeşitli gritlerde zimparalama kovansları da dâhil olmak üzere çeşitli aksesuarlar bulunmaktadır. Kendi güvenliğinizi için yalnız gerçek Triton aksesuarları kullanın. Yedek paçaları Triton satıcınızdan veya çevrim içi olarak www.toolsaresonline.com adresinden satın alabilirsiniz

Bakım

⚠ UYARI: Herhangi bir bakımtemizlik yapmadan önce daima güç kaynağından ayırın.

- Bu el aleti bu sınıftaki en iyi bileşenler kullanılarak üretilmiş ve el aletini ve bileşenlerini koruyan en yeni akıllı devrelerden yararlanılmıştır. Normal kullanımda, kuzun bir hizmet ömrü vardır.

Genel Muayene

- Tüm sabitleme vidalarının sıkışmış olup olmadığını düzenli olarak kontrol edin. Zaman içinde titreşimle gevşeyebilir
- Aletin elektrik kablosunu her kullanımdan önce hasar veya aşınmaya karşı denetleyin. Onarım işlemleri yetkili bir Triton servis merkezi veya teknisyeni tarafından gerçekleştirilmelidir. Bu tavsiye aletle birlikte kullanılan tüm uzatma kabloları için geçerlidir

Yağlama

- Uygun bir yağlayıcı sprey kullanarak hareketli kısımların hepsini düzenli aralıklarla yağlayın

Temizleme

⚠ UYARI: Bu el aletini temizlerken göz koruyucu ve eldiven dâhil olmak üzere DAİMA koruyucu donanım kullanın.

- El aletinizi daima temiz tutun. Kir ve toz iş parçalarını kolayca yıpranmasına neden olur ve cihazın hizmet ömrünü kısaltır.
- Makinenizin gövdesini yumuşak bir fırça veya kuru bir bezle temizleyin.
- Plastik parçaları temizlemek için asla yıkıcı ajanlar kullanmayın. Kuru olarak temizlemek yeterli olmadıysa taktirde ıslak bir bezin üzerinde yumuşak bir deterjan kullanılması tavsiye edilir
- Alet asla suyla temas etmemelidir
- Aleti kullanmadan önce iyice kurutulduğundan emin olun
- Mümkünse, havalandırma deliklerinden püskürtmek için temiz, kuru ve basınçlı hava kullanın

Zimpara kovansı tambur yüzeyleri

- Zimpara Kovanı Tamburunun (15) yüzeyini temiz, kirlerden ve tүй, lif, kum vs gibi yabancı maddelerden arınmış olması gerekir.
- Aksesuarları sabitlemek için yeterli tutunmayı sağlamak için Zimpara Kovanı Tamburu iyi durumda olmalıdır
- Uzun süreli kullanımlar halinde, zimpara kovansı tamburları aşınır ve tambur tutunma için yeterli çapı sağlayamayabilir

Not: Bu zimpara aletinin Zimpara Kovanı Tamburları garanti ögesi DEĞİLDİR. Zimpara kovansı tamburları, yetkili bir Triton servis merkezinden yedek parça olarak alınabilir.

Toz boşaltma kanalının temizlenmesi

- Zaman zaman toz boşaltma kanalının ve kanalın tıkanıklığını gidermeniz veya temizlemeniz gerekebilir
1. Kanalı ve oluğu temizlemek için, önce Zimpara Kovanı Tamburunu (15) sökün (bkz. "Zimpara kovasının takılması")
 2. Bir tornavida (beraberinde gelmez) kullanarak, Zimparalama Tabanındaki (8) vidaları sökün ve Zimparalama Tabanını çıkartın. Zimparalama Tabanının arkasındaki her bir vida deliğindeki rondelaları gevşetmemeye dikkat edin
 3. Zimparalama Tabanında, toz kanalını ortaya çıkartmak için metal levhaya çıkartın (I)
 4. İş kanalı, toz kanalını ve kemer kıvrımını önce bir fırçayla sonra da basınçlı havayla temizleyin
 5. İyice temizledikten sonra, Zimparalama Tabanını yerine yerleştirin ve vidaları sıkın
 6. Zimpara Kovanı Tamburunu geri yerleştirin

UYARI: Temizliği ardından, zimpara aletini kullanmadan önce tüm rondelaları, vidalarını ve civatalarını yerinde olduğundan ve sıkıldığından emin olun. Aletle fazla titreşim olursa veya normal çalıřmasından farklı sesler çıkartırsa, aleti kullanmayı DURDURUN ve fişini prizden çekin. Temizleme prosedürünü tekrar takip ederek tüm parçaların doğru bir şekilde yerleştirildiğinden emin olun. Ses ve titreşim hala devam ediyorsa, yetkili bir Triton servis yetkilisine danışın.

Saklama

- Bu el aletini ve aksesuarlarını kullandıktan sonra çocukların erişemeyeceği şekilde, güvenli, kuru bir yerde kendi kutusu içinde saklayın

İmha

Artık kullanılmayan ve onarılmayan elektrikli aletleri imha ederken ulusal düzenlemeleri her zaman dikkate alın.

- Elektrikli aletleri veya diğer atık elektrikli veya elektronik ekipmanları (WEEE) evsel atıklarla imha etmeyin
- Elektrikli aletleri imha etmenin doğru yöntemi için yerel atık imha otoritelerle iletişime geçin

Sorun Giderme

Problem	Olası Neden	Çözüm
AÇMA/KAPATMA Düğmesine basılınca çalışmıyor	Elektrik yok	Elektrik kaynağını kontrol edin
	Arızalı AÇMA/KAPATMA Düğmesi	AÇMA/KAPATMA Düğmesinin yetkili bir Triton servis merkezinde değiştirilmesini sağlayın
Motor yer yer duruyor, performans kaybı var ve kıvılcıklar ve/veya yanık kokusu var	Karbon fırçaları aşınmış	Fırçaların yetkili bir Triton servis merkezi tarafından değiştirilmesi gerekir
AÇMA/KAPAMA Düğmesi (2) çalıştırıldığında motor çalışsa da zımparalama işlemi gerçekleşmiyor	Dişliler iç içe geçmiyor	Bir Triton servis merkezine danışın
Malzemeden yavaş talaş kaldırıyor	Zımpara Kovanı (9) çok ince veya aşınmış	Daha kalın gritli bir Zımpara Kovanı takın
	Aletin hız ayarı çok düşük	Alet hızını artırın
Zımparalamadan sonra iş parçasının üzerinde çizikler var	Zımpara Kovanı çok iri gritli	Daha ince gritli bir Zımpara Kovanı takın
	Materyalden yeterince talaş kaldırılmadı	Zımparalamaya devam edin
İş parçası üzerinde yanık izleri	Zımpara kovani materyalle uyumlu değil	Doğru Zımpara Kovanını takın
	Aletin hız ayarı çok yüksek	Alet hızını azaltın
	Zımparaya çok fazla basınç uygulanıyor	Makineyi hareket ettirirken daha az basınç uygulayın
Fazla toz çıkıyor	Vakumlu toz boşaltma sistemi bağlı değil veya boşaltma sistemi açılmamış	Vakum hortumunun, Toz Boşaltma Kanalı Adaptörünün (7) bağlantısını (kullanılıyorsa) kontrol edin ve toz boşaltma sisteminin açık olduğundan emin olun
	Toz boşaltma çalışmıyor; toz boşaltma tıkalı	Toz boşaltma sistemini kontrol edin; toz boşaltmadaki tıkanıklığı giderin (bkz. "Toz boşaltma kanalını temizlemek" Sorun devam ederse bir Triton servis merkezi ile iletişime geçin

Garanti

Garantinizi tescil ettirmek için www.tritontools.com adresindeki web sitemizi ziyaret ederek bilgilerinizi giriniz *.

Size ait bilgiler ilerideki yayımlar hakkında bilgi vermek üzere posta listemize dâhil edilecektir (aksi belirtilmediği takdirde). Verilen bilgiler hiç bir üçüncü tarafa iletilmeyecektir.

Satın alma kayıtları

Satın Alma Tarihi: ___ / ___ / ___

Model: TSPSP650 Makbuzunuzu satın alma kanıtı olarak saklayınız

AB Uygunluk Beyanı

Aşağıda imzası bulunan: Bay Darrell Morris

Yetki veren: Triton

Beyan eder ki: Bu beyan, tamamen üreticinin sorumluluğunda

yaşanmıştır. Beyanın konusu, ilgili Birlik uyum Düzenlemesine uygundur.

Tanımlama kodu: 949538

Açıklama: 650W Taşınabilir Salımlı Silindirik Zımpara

Aşağıdaki direktiflere ve standartlara uygundur:

- Makine Direktifi 2006/42/EC
- EMC Direktifi 2014/30-/EC
- RoHS Direktifi 2011/65/EU
- EN 60745-1:2009+A11:2010
- EN ISO 12100:2010
- EN 55014-1:2006+A2:2011
- EN 55014-2:2015
- EN 61000-3-2:2014
- EN 61000-3-3:2013

Triton Precision Power Tools, ilk satın alma tarihinden itibaren 3 YIL süre içinde hatalı malzemeler veya işçilik yüzünden herhangi bir parçanın kusurlu çıkması durumunda Triton'un hatalı parçayı ücretsiz olarak tamir edeceğini veya kendi takdirine göre değiştireceğini bu ürünü satın alan kişiye garanti eder.

Bu garanti ticari kullanım için geçerli olmadığı gibi normal aşınmayı ve yıpranmayı veya kaza, kötüye kullanma veya yanlış kullanma yüzünden oluşan hasarı içermez.

* 30 gün içinde çevirim içi olarak tescil yaptırın.

Kurallar ve koşullar geçerlidir.

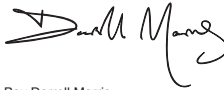
Bunlar sizin yasal haklarınızı etkilemez

Onaylanmış kuruluş: TÜV Rheinland Co., Ltd.

Teknik dokümanları muhafaza eden: Triton

Tarih: 17/05/2017

İmza:



Bay Darrell Morris

Sorumlu Müdür

Üreticinin adı ve adresi:

Powerbox International Limited, Şirket No. 06897059.

Tescilli adres: Powerbox, Boundary Way, Lufton Trading Estate, Yeovil,

Somerset, BA22 8HZ, Birleşik Krallık.

